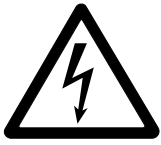


WIRING



WARNING: RISK OF ELECTRICAL SHOCK OR ELECTROCUTION. This pool pump must be installed by a licensed or certified electrician or a qualified pool serviceman in accordance with the National Electrical Code and all applicable local codes and ordinances. Improper installation will create an electrical hazard which could result in death or damage to property. Always disconnect power to the pool pump at the circuit breaker before servicing the pump. Failure to do so could result in death or serious injury to serviceman, pool users or others due to electric shock.

1. Make sure all electrical breakers and switches are turned off before wiring motor.
2. Make sure that the wiring voltage matches the motor voltage (230v or 115v). If they do not match the motor will burn up.
3. Choose a wire size from Chart 1. When in doubt use a heavier gauge (larger diameter) wire. Heavier gauge will allow the motor to run cooler and more efficient.
4. Cut wires to the appropriate length so they don't overlap or touch when connected to the terminal board.
5. Make sure all electrical connections are clean and tight.
6. Permanently ground the motor using the correct wire size and type specified by National Electrical Code. Make sure the ground wire is connected to an electrical service ground.
7. Bond the motor to the pool structure in accordance with the National Electrical Code. Use a solid No. 8 AWG or larger copper conductor. Run a wire from the brass external bonding clamp to the pool bonding structure.
8. Connect the pump permanently to a circuit. Make sure no other lights or appliances are on the same circuit.

SUPPLY WIRE SIZES (AWG)						
<i>Size and Length by Horsepower</i>						
HP	115 Volts			230 Volts		
	50 Ft.	100 Ft.	150 Ft.	50 Ft.	100 Ft.	150 Ft.
1/3	14	14	12	14	14	14
1/2	14	12	10	14	14	14
3/4	12	12	10	14	14	14
1	12	10	8	14	14	14
1 1/2	10	10	8	14	14	12
2	10	8	8	14	12	12
3	-	-	-	12	12	12

CHART 1



NOTE: If the pump is installed below the water level of the pool, close return and suction lines prior to opening hair and lint pot on pump. Make sure to re-open valves prior to operating.

POWER DEFENDER 1.40 HP DUAL VOLTAGE VARIABLE SPEED MOTOR WARNINGS & ASSISTANCE



Please store this instruction sheet and the A.O. Smith user interface booklet in a safe place for future use.



Please carefully read the entire enclosed booklet for the operation and troubleshooting of the Power Defender 140 Dual Voltage.

PUMP STRAINER BASKET

This unit, sometimes referred to as the “Hair and Lint Pot”, is the unit in front of the volute. The lint pot must be installed using only teflon tape on the threads. Do not use liquid chemical thread sealant. The basket inside the chamber must be kept clean of leaves and debris at all times. View basket through the “See Through Lid” to inspect for leaves and debris. Regardless of the length of time between filter cleaning, it is most important to visually inspect the hair and lint pot basket at least once a week. A dirty basket will reduce the efficiency of the filter and heater and also put an abnormal stress on the pump motor which would result in a costly repair bill.



WARNING: DO NOT open the strainer pot if pump fails to prime or if pump has been operating without water in the strainer pot. Pumps operated in these circumstances may experience a build up of vapor pressure and may contain scalding hot water. Opening the pump may cause serious personal injury. In order to avoid the possibility of personal injury, make sure the suction and discharge valves are open and strainer pot temperature is cool to touch, then with extreme caution.



CAUTION: To prevent damage to the pump and filter and for proper operation of the system, clean pump strainer and skimmer baskets regularly.



WARNING: THIS FILTER OPERATES UNDER HIGH PRESSURE. WHEN ANY PART OF THE CIRCULATION SYSTEM (e.g. LOCK RING, PUMP, FILTER, VALVES, ETC) IS SERVICED, AIR CAN ENTER THE SYSTEM AND BECOME PRESSURIZED. PRESSURIZED AIR CAN CAUSE THE LID TO BLOW OFF WHICH CAN RESULT IN SEVERE INJURY, DEATH, OR PROPERTY DAMAGE. TO AVOID THIS POTENTIAL HAZARD, FOLLOW THESE INSTRUCTIONS.

1. Turn off motor.
2. Relieve pressure in the system.
3. Turn the lid in a counter-clockwise direction until it stops.
4. Lift lid and remove basket.
5. Put the debris from the basket into the trash and rinse out the basket. If the basket is cracked, it should be replaced.
6. Replace the basket and fill the pump pot and volute up to the inlet port with water.
7. Clean the cover, O-ring and sealing surface of the pump pot. Grease the O-ring with Teflon or silicone.
8. Reinstall the lid (Figure 2).
9. Make sure the lid O-ring is properly placed. Seat the lid then turn clockwise until hand tight (**DO NOT** over tighten with tools) (Figure 3).
10. Turn the power “ON” at the house circuit breaker. Reset the pool time clock to the correct time.
11. Open the manual air relief valve on top of the filter.
12. Stand clear of the filter. Start the pump.
13. Bleed air from the filter until a steady stream of water comes out. Close the manual air relief valve.

FIGURE 2

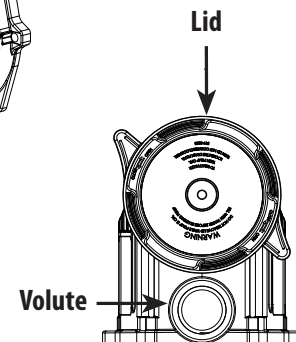
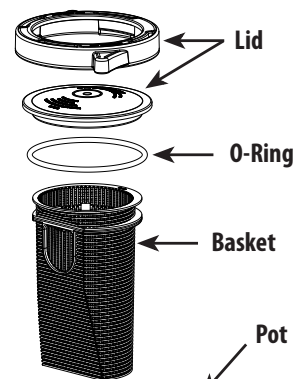


FIGURE 3

WINTERIZING

If the air temperature drops below 35° F. the water in the pump can freeze and cause damage. Freeze damage is not warrantable.

To prevent freeze damage follow the procedures listed below.

1. Shut off electrical power for the pump at the house circuit breaker.
2. Drain the water out of the pump case by removing the two drain plugs from the case. Store the plugs in the pump basket.
3. Cover the motor to protect it from severe rain, snow, and ice.
4. Do not wrap the motor in plastic. It will cause condensation and rust on the inside of the motor.

CARE OF ELECTRIC MOTOR

PROTECT FROM HEAT

1. Shade the motor from the sun.
2. Any enclosure must be well ventilated to prevent overheating.
3. Provide ample cross ventilation.

PROTECT AGAINST DIRT

1. Protect from any foreign matter or splashing water.
2. Do not store (or spill) pool chemicals near the motor.
3. Avoid sweeping or stirring up dust near the motor while it is operating.
4. If a motor has been damaged by dirt it voids the warranty.

PROTECT AGAINST MOISTURE

1. Protect from splashing pool water.
2. Protect from the weather.
3. Protect from lawn sprinklers.
4. If a motor has become wet – let it dry before operating.
Do not allow the pump to operate if it has been flooded.
5. If a motor has been damaged by water it voids the motor warranty.



NOTE: DO NOT wrap motor with plastic or other air tight materials. The motor may be covered during a storm, for winter storage, etc., but NEVER when operating or expecting operation.



WARNING: RISK OF ELECTRICAL SHOCK OR ELECTROCUTION. This pool pump must be installed by a licensed or certified electrician or a qualified pool serviceman in accordance with the National Electrical Code and all applicable local codes and ordinances. Improper installation will create an electrical hazard which could result in death or damage to property. Always disconnect power to the pool pump at the circuit breaker before servicing the pump. Failure to do so could result in death or serious injury to serviceman, pool users or others due to electric shock.



WARNING: DO NOT open the strainer pot if pump fails to prime or if pump has been operating without water in the strainer pot. Pumps operated in these circumstances may experience a build up of vapor pressure and may contain scalding hot water. Opening the pump may cause serious personal injury. In order to avoid the possibility of personal injury, make sure the suction and discharge valves are open and strainer pot temperature is cool to touch, then with extreme caution.

PUMP DISASSEMBLY



CAUTION: Be sure not to scratch or mar the polished seal faces. Seal will leak if faces are damaged.

All moving parts are located in rear sub-assembly of this pump.

Tools required:

- ½ inch open end wrench
- 9/16 inch open end wrench
- Flat and Phillips head screwdrivers

To remove and repair the motor sub-assembly perform the following procedures.

1. Turn off the pump circuit breaker at the main panel.
2. Drain the pump by removing the drain plugs.
3. Remove the 6 bolts that hold the main pump body (strainer pot/volute) to the rear sub-assembly.
4. GENTLY pull the two pump halves apart, removing the rear sub-assembly.
5. Remove the diffuser.
6. Hold the impeller securely in place and remove the impeller lock screw by using a Phillips head screwdriver. The screw is a left-handed thread and loosens in a clockwise direction.
7. Remove the shaft cap located at the back of the motor and hold the shaft secure with a flat-head screwdriver (Century) or 7/16 inch open-end wrench (Franklin) .
8. To unscrew the impeller from the shaft, twist the impeller counter clockwise.
9. Remove the four bolts from the seal plate to the motor, using a 9/16 inch wrench.
10. Place the seal plate face down on a flat surface and tap out the carbon/spring seal.
11. Clean the seal plate, seal housing, and motor shaft.

PUMP REASSEMBLY / SEAL REPLACEMENT

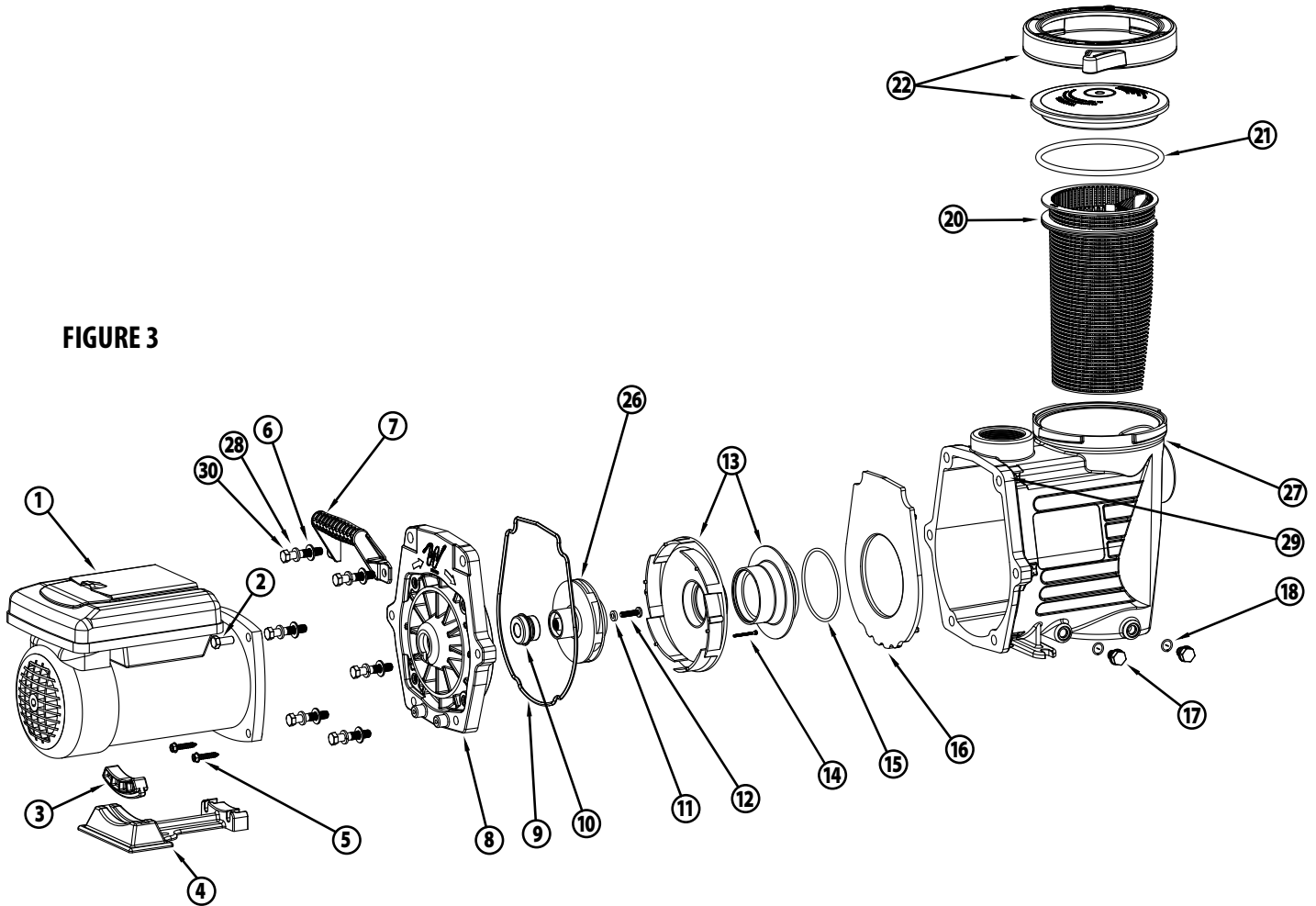


CAUTION: The polished and lapped faces of the seal could be damaged if not handled with care.

1. When installing the replacement ceramic/carbon seal, use silicone sealant on the metal portion, before pressing into the seal plate.
2. Before installing the ceramic section of the seal into the impeller, be sure the impeller is clean. Use a light density soap and water to clean the seal. Press the seal into the impeller with your thumbs and wipe off the ceramic and carbon faces with a clean cloth.
3. Remount the seal plate to the motor.
4. Screw the impeller onto the motor shaft.
5. Screw in the impeller lock screw (counter-clockwise to tighten).
6. Remount the diffuser onto the seal plate.
7. Grease the diffuser O-ring.
8. Assemble the motor sub-assembly to the strainer pot-pump body. **DO NOT** tighten down any of the bolts until all 6 bolts are in place and finger tight.
9. Fill the pump with water.
10. Reinstall the pump lid by turning clockwise until hand tight (**DO NOT** over tighten with tools).
11. Prime the system; see Priming the Pump.

POWER DEFENDER 1.40 HP DUAL VOLTAGE PUMP REPLACEMENT PARTS

FIGURE 3



Part No.	Qty	Description
1	3POV360	1 Motor
2	819-0035	3 Bolt .375-16 X .875 Long
3	672-1350	1 Motor Support Supra Max
4	319-1500	1 Motor Base
5	819-0013	2 Screw Slot Hex Washer 1/4" X 1_1/4"
6	820-0017	6 3/8" Flat Washer Type B, Pool Pumps
7	319-1700	1 Handle
8	311-1450	1 Face Plate
9	711-1400	1 Gasket, Face Plate
10	319-3100B	1 Pump Seal Set-Viton
11	711-4300	1 Washer, Impeller
12	819-4360	1 Screw Phil. Pan Head Left Hand 1/4-20 X 1"
13	310-7470	1 Diffuser Assy
14	819-0018	2 #4-40 Uncs Bolt Schs

Part No.	Qty	Description
15	805-0238	1 O-Ring-238
16	319-1420	1 Diffuser Plate
17	715-1200	2 3/8" Quarter Slot Plug (Sd Wet End)
18	805-0014	2 O-Ring, -014
20	319-1430	1 Basket Assy
21	805-0436	1 O-Ring, 6" Trap Lid
22	319-4100	1 Lid Assembly, 6" Trap
26	310-7410	1 Impeller Assy
27	315-2410	1 Pump Housing - 2" X 2" Npt
28	820-0017-1	6 3/8" Washer, Split Lock
29	820-4280	6 Brass Insert, 3/8-16 Unc Housing
30	819-0016	6 3/8"-16 X 2" Lg Hex Head

RESTARTING INSTRUCTIONS & PRIMING THE PUMP



CAUTION: DO NOT run the pump dry. If the pump is run dry, the mechanical seal will be damaged and the pump will start leaking. If this occurs, the damaged seal must be replaced. ALWAYS maintain proper water level in your pool. If the water level falls below the skimmer opening, the pump will draw air through the skimmer, losing the prime and causing the pump to run dry, resulting in a damaged seal.

If the pump is installed below the water level of the pool, close return and suction lines prior to opening hair and lint pot on pump. Make sure to re-open valves prior to operating.

The pump strainer pot must be filled with water before the pump is initially started. Follow these steps to prime the pump. For 2-speed pumps: Pump should run on high-speed for priming.

1. Remove the pump lid.
2. Fill the pump strainer pot with water.

3. Reassemble the pump lid onto the strainer pot. The pump is now ready to prime.
4. Open the manual air relief valve on top of the filter, and stand clear of the filter.
5. Turn on the switch or time clock.
6. When water comes out of the manual air relief valve, close the valve. The system should now be free of air and circulating water to and from the pool.

NOTE: Self-priming pump may take up to 3 ½ minutes to reach a lift height of 10 feet.

TROUBLESHOOTING

FAILURE OF PUMP

1. Pump will not prime, too much air. Remedy:
 - a. Check suction piping and valve glands on all suction gate valves.
 - b. Secure lid on pump strainer pot and make sure lid gasket is in place.
 - c. Check water level to make sure skimmer is not drawing air.
2. Pump will not prime, not enough water. Remedy:
 - a. Make sure suction lines, pump strainer, and pump volute are full of water.
 - b. Make sure valve on suction line is working and open (some systems do not have valves).
 - c. Check water level to make sure water is available through skimmer.

2. Clogged impeller. Remedy:
 - a. Turn off electrical power to the pump.
 - b. Remove the bolts holding the volute to the seal plate.
 - c. Slide the motor and seal plate away from the volute.
 - d. Remove the diffuser.
 - e. Clean debris from impeller. If debris cannot be removed, complete the following steps:
 - (1) Remove left hand threaded bolt and gasket.
 - (2) Remove, clean and reinstall impeller.
 - (3) Reinstall left hand threaded bolt and gasket.
 - f. Reinstall the diffuser and diffuser O-ring.
 - g. Reinstall motor and seal plate into volute.
 - h. Tighten bolts securely.

REDUCED FLOW AND/OR HEAD

1. Air pockets or leaks in suction line. Remedy:
 - a. See item 1a of this section above.
3. Pump strainer clogged. Remedy:
 - a. Clean suction trap.

WARRANTY

For product registration visit: www.waterwayplastics.com.
For Warranty questions or claims please contact point of purchase.



2200 East Sturgis Road, Oxnard CA 93030 • Phone 805.981.0262 • Fax 805.981.9403
www.waterwayplastics.com • waterway@waterwayplastics.com



POWER DEFENDER 1,40 HP DOUBLE TENSION

MANUEL DE L'UTILISATEUR DE POMPES À VITESSE VARIABLE



INSTRUCTIONS DE SÉCURITÉ IMPORTANTES PRIÈRE DE LIRE ET D'OBSERVER TOUTES LES INSTRUCTIONS • CONSERVER CES INSTRUCTIONS



AVERTISSEMENT : Lire et observer tous les avertissements et toutes les instructions accompagnant cette pompe avant de l'installer. Le non respect des avertissements et des instructions peut entraîner des blessures graves, la mort ou des dommages matériels.



MISE EN GARDE POUR L'INSTALLATEUR : Ce manuel contient des informations importantes concernant l'installation, le fonctionnement et l'utilisation en toute sécurité de ce produit. Ces informations doivent être remises au propriétaire ou à l'opérateur de cet équipement.



REMARQUE : si la pompe est installée de façon permanente à moins de 1,5 m (5 pi) des parois intérieures d'une piscine, un conducteur 8 AWG ou plus grand doit être utilisé pour raccorder la cosse du conducteur de mise à la masse.



AVERTISSEMENT : Pour réduire le risque de blessures, ne pas laisser les enfants utiliser ce produit à moins qu'ils soient étroitement supervisés en tout temps.



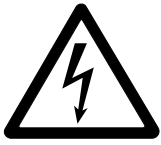
MISE EN GARDE : Pour les jacuzzis et spas, ne pas installer sans un boîtier externe ou en dessous de la jupe d'un jacuzzi ou spa, à moins d'indications contraires.



2200 East Sturgis Road, Oxnard CA 93030 • Phone 805.981.0262 • Fax 805.981.9403
www.waterwayplastics.com • waterway@waterwayplastics.com



CÂBLAGE



AVERTISSEMENT : RISQUE DE CHOC ÉLECTRIQUE/D'ÉLECTROCUTION. La pompe de piscine doit être installée par un électricien ou technicien de piscine agréé ou certifié conformément au Code national de l'électricité et à tous les codes et toutes les ordonnances applicables au niveau local. Une installation incorrecte peut créer un danger électrique pouvant entraîner la mort ou endommager l'équipement. Toujours déconnecter l'alimentation de la pompe au niveau du disjoncteur avant de travailler sur la pompe. Le non respect de cette consigne peut entraîner la mort ou des blessures graves au technicien, aux utilisateurs de la piscine ou à d'autres personnes suite à un choc électrique.

1. Confirmer que tous les disjoncteurs et interrupteurs sont coupés avant de procéder au câblage du moteur.
2. Confirmer que la tension de câblage correspond à la tension du moteur (230 V ou 115 V). Le moteur surchauffera si les tensions ne correspondent pas.
3. Choisir une taille de fil dans le tableau 1. En cas de doute, utiliser un fil de calibre (diamètre) plus grand. Un plus grand calibre permettra de réduire la température de fonctionnement du moteur et le rendra plus efficace.
4. Couper les fils à la longueur appropriée, de sorte qu'ils ne se chevauchent pas ni ne se touchent lorsqu'ils sont connectés au bornier.
5. Confirmer que tous les raccords électriques sont propres et bien serrés.
6. Mettre le moteur à la masse de façon permanente en utilisant la taille et le type de câble appropriés spécifiés dans le Code national de l'électricité. Veiller à ce que le fil de terre soit connecté à une masse électrique de service.
7. Mettre le moteur à la masse avec la structure de la piscine conformément au Code national de l'électricité. Utiliser un conducteur solide cuivre 8 AWG ou plus grand. Acheminer un fil entre la pince de mise à la masse en cuivre externe et la structure de mise à la masse de la piscine.
8. Connecter la pompe de façon permanente à un circuit. Veiller à ce qu'aucune autre lampe ou qu'aucun autre appareil ne soit sur le même circuit.

TAILLES DES FILS ÉLECTRIQUES (AWG)						
<i>Taille et longueur par cheval-puissance</i>						
HP	115 V			230 V		
	15 m (50 pi)	30 m (100 pi)	45 m (150 pi)	15 m (50 pi)	30 m (100 pi)	45 m (150 pi)
1/3	14	14	12	14	14	14
1/2	14	12	10	14	14	14
3/4	12	12	10	14	14	14
1	12	10	8	14	14	14
1 1/2	10	10	8	14	14	12
2	10	8	8	14	12	12
3	-	-	-	12	12	12

TABLEAU 1



REMARQUE : si la pompe est installée en dessous du niveau d'eau de la piscine, fermer les lignes de retour et d'aspiration avant d'ouvrir le filtre à cheveux/peluches sur la pompe. Veiller à bien rouvrir les vannes avant d'allumer la pompe.

AVERTISSEMENTS ET ASSISTANCE POUR LA POMPE À VITESSE VARIABLE POWER DEFENDER 1,40 HP DOUBLE TENSION



Ranger ce feuillet d'instructions et le livret de l'interface utilisateur A.O. Smith dans un lieu sûr pour référence ultérieure.



Lire attentivement l'intégralité du livret ci-joint pour des informations d'utilisation et de dépannage de la pompe Power Defender 1,65 HP Double Tension.

PANIER-FILTRE DE LA POMPE

Cette unité, parfois appelée « filtre à cheveux/peluches », est l'unité qui se trouve devant la volute. Appliquer du ruban pour joints filetés sur le filtre à peluches avant de l'installer. Ne pas utiliser un mastic chimique liquide sur le filetage. Le panier présent dans la chambre doit être nettoyé chaque fois que des feuilles ou des débris sont observés. Déterminer si des feuilles ou des débris sont présents en inspectant le panier à travers le couvercle transparent. Quelle que soit la durée entre chaque nettoyage du filtre, il est important d'inspecter visuellement le filtre à cheveux/peluches au moins une fois par semaine. Un filtre sale réduira l'efficacité du filtre et du réchauffeur, et imposera un stress anormal sur le moteur de la pompe qui pourrait mener à des réparations coûteuses.



AVERTISSEMENT : NE PAS ouvrir le panier-filtre si la pompe ne peut pas s'amorcer ou si la pompe a fonctionné sans eau dans le panier-filtre. Si la pompe a fonctionné dans de telles circonstances, une accumulation de pression de vapeur et de l'eau bouillante peuvent être présentes. Utiliser la pompe pourrait alors provoquer des blessures graves. Afin d'éviter tout risque de blessure grave, veiller à ce que les vannes d'aspiration et de sortie soient ouvertes et que le panier-filtre ne soit pas brûlant au toucher, puis procéder avec une extrême prudence.



MISE EN GARDE : Pour éviter d'endommager la pompe et le filtre et assurer un fonctionnement approprié du système, nettoyer régulièrement le panier-filtre de la pompe et de l'écumeur.



AVERTISSEMENT : CE FILTRE EST SOUMIS À UNE PRESSION ÉLEVÉE. LORS DE L'ENTRETIEN D'UNE PIÈCE QUELCONQUE DU SYSTÈME DE CIRCULATION (P. EX., ANNEAU DE SERRAGE, POMPE, FILTRE, VANNES, ETC.), DE L'AIR PEUT PÉNÉTRER DANS LE SYSTÈME ET SE PRESSURISER. L'AIR PRESSURISÉ PEUT FAIRE SAUTER LE COUVERCLE ET PROVOQUER DES BLESSURES GRAVES, LA MORT OU DES DOMMAGES À L'ÉQUIPEMENT. POUR ÉVITER CE RISQUE POTENTIEL, SUIVRE CES INSTRUCTIONS.

1. Éteindre le moteur.
2. Relâcher la pression dans le système.
3. Tourner le couvercle dans le sens antihoraire jusqu'à ce qu'il s'arrête.
4. Soulever le couvercle et retirer le panier.
5. Retirer les débris et rincer le panier. Si le panier est fissuré, il doit être remplacé.
6. Replacer le panier et remplir d'eau le panier-filtre de la pompe et la sortie jusqu'au niveau de l'orifice d'entrée.
7. Nettoyer le couvercle, le joint torique et la surface de contact du filtre de la pompe. Graisser le joint torique avec de la silicone.
8. Réinstaller le couvercle (Figure 2).
9. S'assurer que le joint torique du couvercle est correctement installé. Poser le couvercle et le tourner dans le sens horaire pour le serrer à la main (NE PAS le serrer excessivement avec un outil). Voir la Figure 3.
10. Remettre le disjoncteur en position de marche. Régler l'horloge de la piscine.
11. Ouvrir la soupape de surpression manuelle en haut du filtre.
12. S'éloigner du filtre. Démarrer la pompe.
13. Purger l'air du filtre jusqu'à ce qu'un jet d'eau continu sorte de la soupape. Fermer la soupape de surpression manuelle.

FIGURE 2

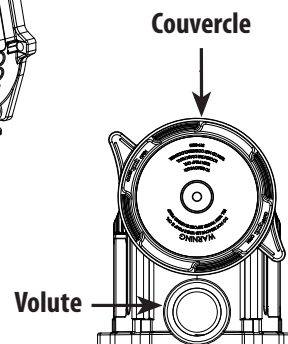
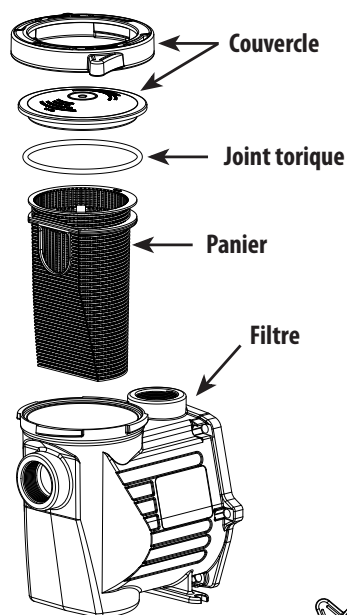


FIGURE 3

HIVÉRISATION

Si la température de l'air tombe en dessous de 1,7 °C (35 °F), l'eau présente dans la pompe peut geler et provoquer des dommages. Les dommages dus au gel ne sont pas couverts par la garantie.

Pour éviter tout dommage dû au gel, suivre les procédures indiquées ci-dessous.

1. Désactiver le disjoncteur qui alimente la pompe en électricité.
2. Purger l'eau du carter de la pompe en retirant les deux bouchons de vidange. Ranger les bouchons dans le panier de la pompe.
3. Couvrir le moteur et le protéger contre la pluie, la neige et le gel.
4. Ne pas emballer le moteur dans du plastique. Cela pourrait provoquer de la condensation et de la rouille à l'intérieur du moteur.

ENTRETIEN DU MOTEUR ÉLECTRIQUE

PROTÉGER CONTRE LA CHALEUR

1. Protéger le moteur contre la chaleur du soleil.
2. Tout enclos doit être bien aéré pour éviter les risques de surchauffe.
3. Assurer une bonne ventilation transversale.

PROTÉGER CONTRE LA SALETÉ

1. Assurer une protection contre les matières étrangères ou les éclaboussures d'eau.
2. Ne pas stocker les produits chimiques de la piscine à proximité du moteur ni les laisser entrer en contact avec celui-ci.
3. Éviter de balayer ou de soulever la poussière à proximité du moteur lorsqu'il est en marche.
4. Si un moteur est endommagé, la garantie sera annulée.

PROTÉGER CONTRE L'HUMIDITÉ

1. Protéger contre les éclaboussures d'eau de la piscine.
2. Protéger contre les intempéries.
3. Protéger contre les tourniquets d'arrosage de jardin.
4. Si le moteur est mouillé, le laisser sécher avant de l'utiliser. Ne pas faire fonctionner la pompe si elle est noyée.
5. Si un moteur est endommagé par de l'eau, la garantie sera annulée.



REMARQUE : NE PAS emballer le moteur dans du plastique ou tout autre matériau étanche à l'air. Le moteur peut être recouvert durant une tempête, pour le stocker durant l'hiver, etc., mais NE JAMAIS le recouvrir durant son fonctionnement ou si un fonctionnement est prévu.



AVERTISSEMENT : RISQUE DE CHOC ÉLECTRIQUE/D'ÉLECTROCUTION. La pompe de piscine doit être installée par un électricien ou technicien de piscine agréé ou certifié conformément au Code national de l'électricité et à tous les codes et toutes les ordonnances applicables au niveau local. Une installation incorrecte peut créer un danger électrique pouvant entraîner la mort ou endommager l'équipement. Toujours déconnecter l'alimentation de la pompe au niveau du disjoncteur avant de travailler sur la pompe. Le non respect de cette consigne peut entraîner la mort ou des blessures graves au technicien, aux utilisateurs de la piscine ou à d'autres personnes suite à un choc électrique.



AVERTISSEMENT : NE PAS ouvrir le panier-filtre si la pompe ne peut pas s'amorcer ou si la pompe a fonctionné sans eau dans le panier-filtre. Si la pompe a fonctionné dans de telles circonstances, une accumulation de pression de vapeur et de l'eau bouillante peuvent être présentes. Utiliser la pompe pourrait alors provoquer des blessures graves. Afin d'éviter tout risque de blessure grave, veiller à ce que les vannes d'aspiration et de sortie soient ouvertes et que le panier-filtre ne soit pas brûlant au toucher, puis procéder avec une extrême prudence.

DÉSASSEMBLAGE DE LA POMPE



MISE EN GARDE : Veiller à ne pas rayer ou endommager les surfaces de scellage polies. L'étanchéité ne sera pas garantie si ces surfaces sont endommagées.

Toutes les pièces mobiles se trouvent dans le sous-assemblage arrière de cette pompe.

Outils requis :

- Clé à fourche de 1/2 po
- Clé à fourche de 9/16 po
- Tournevis à tête plate et à tête cruciforme

Pour déposer et réparer le sous-assemblage du moteur, suivre les procédures suivantes.

1. Désactiver le disjoncteur de la pompe.
2. Purger la pompe en retirant les deux bouchons de vidange.
3. Retirer les 6 boulons qui fixent le corps de la pompe (filtre/volute) au sous-assemblage arrière.
4. Séparer SOIGNEUSEMENT les deux moitiés de la pompe pour retirer le sous-assemblage arrière.
5. Retirer le diffuseur.
6. Maintenir la turbine en place et retirer la vis de verrouillage à l'aide d'un tournevis cruciforme. Le filetage de la vis étant à gauche, elle se dévisse dans le sens horaire.
7. Retirer le couvercle de l'arbre situé à l'arrière du moteur et maintenir l'arbre en place à l'aide d'un tournevis à tête plate (Century) ou d'une clé à fourche de 7/16 po (Franklin).
8. Pour dévisser la turbine de l'arbre, la tourner dans le sens horaire.
9. Retirer les 4 boulons de la plaque d'étanchéité du moteur en utilisant une clé de 9/16 po.
10. Placer la plaque d'étanchéité face vers le bas sur une surface plane, et taper pour faire sortir le joint à ressort/carbone.
11. Nettoyer la plaque d'étanchéité, le logement du joint et l'arbre du moteur.

RÉASSEMBLAGE DE LA POMPE / REMPLACEMENT DU JOINT (FIGURE 4)

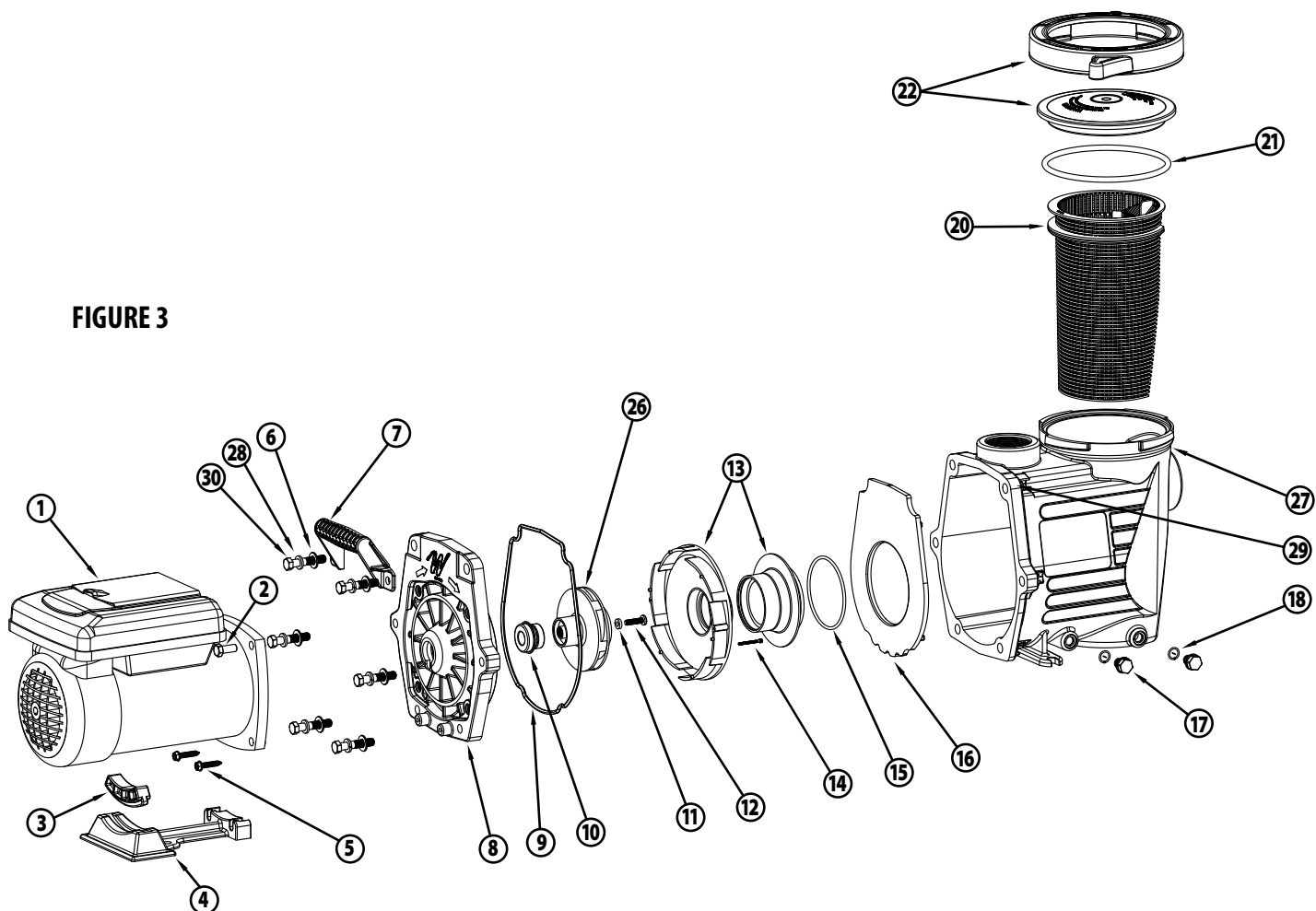


MISE EN GARDE : Les côtés polis et roulés du joint risquent de s'endommager s'ils ne sont pas manipulés avec soin.

1. Lors de l'installation du joint céramique/carbone de rechange, utiliser un mastic en silicone sur la partie métallique avant de le presser contre la plaque d'étanchéité.
2. Avant d'installer la section en céramique du joint sur la turbine, veiller à ce que la turbine soit propre. Utiliser de l'eau avec un peu de savon pour nettoyer le joint. Presser le joint contre la turbine avec les pouces et essuyer les côtés céramique et carbone avec un chiffon propre.
3. Réinstaller la plaque d'étanchéité sur le moteur.
4. Visser la turbine sur l'arbre du moteur.
5. Visser la vis de verrouillage sur la turbine (serrer dans le sens antihoraire).
6. Réinstaller le diffuseur sur la plaque d'étanchéité.
7. Graisser le joint torique du diffuseur.
8. Réinstaller le sous-assemblage du moteur sur le corps/filtre de la pompe. NE PAS serrer les boulons avant d'avoir installé et serré à la main les 6 boulons.
9. Remplir la pompe d'eau.
10. Réinstaller le couvercle en le tournant dans le sens horaire pour le serrer à la main (NE PAS le serrer excessivement avec un outil).
11. Amorcer le système; voir Amorçage de la pompe.

PIÈCES DE RECHANGE DE LA POMPE POWER DEFENDER 1,40 HP DOUBLE TENSION

FIGURE 3



Référence	Qté	Description
1	3POV360	1 Moteur
2	819-0035	3 Boulon 0,375-16 X 0,875 de longueur
3	672-1350	1 Support de moteur Supra Max
4	319-1500	1 Base du moteur
5	819-0013	2 Rondelle hexagonale à entaille de vis de 1/4 po X 1-1/4 po
6	820-0017	6 Rondelle plate de 3/8 po, type B, pompes pour piscine
7	319-1700	1 Poignée
8	311-1450	1 Plaque frontale
9	711-1400	1 Joint d'étanchéité, plaque frontale
10	319-3100B	1 Ensemble d'étanchéité pour pompe-Viton
11	711-4300	1 Rondelle, turbine
12	819-4360	1 Vis à large tête cruciforme gauche de 1/4-20 X 1 po
13	310-7470	1 Ensemble diffuseur
14	819-0018	2 Boulon #4-40 UNC

Référence	Qté	Description
15	805-0238	1 Joint torique-238
16	319-1420	1 Plaque de diffuseur
17	715-1200	2 Bouchon fendu au quart de 3/8 po (extrémité immergée standard)
18	805-0014	2 Joint torique, -014
20	319-1430	1 Ensemble panier
21	805-0436	1 Joint torique, couvercle de trappe de 6 po
22	319-4100	1 Ensemble couvercle, trappe de 6 po
26	310-7410	1 Ensemble turbine
27	315-2410	1 Boîtier de pompe - NPT 2 po X 2 po
28	820-0017-1	6 Rondelle de 3/8 po, de verrouillage, fendue
29	820-4280	6 Insert en laiton, boîtier UNC 3/8-16
30	819-0016	6 Tête hexagonale longue de 3/8 po-16 X 2 po

INSTRUCTIONS DE REDÉMARRAGE ET AMORÇAGE DE LA POMPE



MISE EN GARDE : NE PAS faire fonctionner la pompe sans eau. Si la pompe fonctionne sans eau, le joint mécanique sera endommagé et la pompe commencera à fuir. Si cela se produit, le joint endommagé doit être remplacé. TOUJOURS maintenir un niveau d'eau adéquat dans la piscine. Si le niveau d'eau tombe en dessous de l'ouverture de l'écumeur, la pompe aspirera de l'air via l'écumeur et sera alors désamorçée. La pompe fonctionnera alors sans eau, ce qui provoquera des dommages au joint.

Si la pompe est installée en dessous du niveau d'eau de la piscine, fermer les lignes de retour et d'aspiration avant d'ouvrir le filtre à cheveux/peluches sur la pompe. Veiller à bien rouvrir les vannes avant d'allumer la pompe.

Le filtre de la pompe doit être rempli d'eau avant de démarrer la pompe pour la première fois. Suivre les étapes suivantes pour amorcer la pompe. Pour les pompes à 2 vitesses : faire fonctionner la pompe à haute vitesse pour l'amorcer.

1. Retirer le couvercle de la pompe.
2. Remplir le filtre de la pompe d'eau.

DÉPANNAGE

PANNE DE LA POMPE

1. La pompe ne s'amorce pas; il y a trop d'air. Solution :
 - a. Vérifier le tuyau d'aspiration et le presse-étoupe sur toutes les vannes d'aspiration.
 - b. Resserrer le couvercle sur le filtre de la pompe et vérifier que le joint d'étanchéité est correctement installé.
 - c. Vérifier le niveau d'eau pour confirmer que de l'air n'est pas aspiré depuis l'écumeur.
2. La pompe ne s'amorce pas; il n'y a pas assez d'eau. Solution :
 - a. Confirmer que les lignes d'aspiration, le filtre de la pompe et la volute sont remplis d'eau.
 - b. Confirmer que la vanne sur la ligne d'aspiration fonctionne et est ouverte (certains systèmes ne sont pas équipés de vannes).
 - c. Vérifier le niveau d'eau pour confirmer que l'écumeur est correctement immergé.

DÉBIT RÉDUIT

1. Poches d'air ou fuites au niveau de la ligne d'aspiration. Solution :
 - a. Voir l'élément 1a ci-dessus dans cette section.

3. Remettre le couvercle de la pompe sur le filtre. La pompe est maintenant prête à être amorcée.
4. Ouvrir la soupape de surpression manuelle en haut du filtre et se tenir à l'écart du filtre.
5. Activer l'interrupteur ou la minuterie.
6. Fermer la soupape de surpression manuelle lorsque de l'eau en sort. Il ne devrait maintenant plus avoir d'air dans le système et l'eau devrait circuler entre la pompe et la piscine.

REMARQUE : les pompes à amorçage automatique peuvent prendre jusqu'à 3,5 minutes pour atteindre une hauteur de levage de 3 m (10 pi).

2. Turbine bouchée. Solution :
 - a. Débrancher l'alimentation de la pompe.
 - b. Retirer les boulons qui fixent la volute à la plaque d'étanchéité.
 - c. Écarter le moteur et la plaque d'étanchéité de la volute.
 - d. Retirer le diffuseur.
 - e. Enlever les débris de la turbine. S'il n'est pas possible d'enlever les débris, effectuez la procédure suivante :
 - (1) Retirer le boulon à filetage gauche et le joint d'étanchéité.
 - (2) Retirer, nettoyer et réinstaller la turbine.
 - (3) Réinstaller le boulon à filetage gauche et le joint d'étanchéité.
 - f. Réinstaller le diffuseur et le joint torique du diffuseur.
 - g. Réinstaller le moteur et la plaque d'étanchéité sur la volute.
 - h. Bien serrer les boulons.
3. Filtre de la pompe bouché. Solution :
 - a. Nettoyer la trappe d'aspiration.

GARANTIE

Pour l'enregistrement du produit, visitez : www.waterwayplastics.com.

Pour des questions de garantie ou réclamations, veuillez communiquer avec point de vente.



2200 East Sturgis Road, Oxnard CA 93030 • Phone 805.981.0262 • Fax 805.981.9403

www.waterwayplastics.com • waterway@waterwayplastics.com



MANUAL DEL PROPIETARIO - BOMBA DE DOBLE VOLTAJE Y DE VELOCIDAD VARIABLE POWER DEFENDER 1.40 HP



INSTRUCCIONES DE SEGURIDAD IMPORTANTES LEA Y SIGA TODAS LAS INSTRUCCIONES • CONSERVE ESTAS INSTRUCCIONES



ADVERTENCIA: Antes de instalar este producto, lea y cumpla con todos los avisos de advertencia y las instrucciones de la bomba. En caso de no cumplir con las advertencias de seguridad y las instrucciones, es posible sufrir lesiones, la muerte o daños a la propiedad.



ATENCIÓN INSTALADOR: Este manual incluye información importante sobre la instalación, operación y uso seguro de este producto. El propietario/operador de este equipo debe conocer esta información.



NOTA: Cuando la bomba esté colocada de forma permanente dentro de un área de 5 pies de las paredes internas de la piscina, debe utilizar un conductor AWG n.º 8 o superior para conectar la pestaña del conductor de ensamble.



ADVERTENCIA: Para reducir el riesgo de lesiones, no permita que los niños utilicen este producto a menos que estén supervisados por un adulto en todo momento.



PRECAUCIÓN: Para los hidromasajes y los spa, no debe realizar la instalación dentro de un compartimiento externo o debajo de la base del hidromasaje o spa a menos que esté marcado.

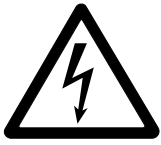


2200 East Sturgis Road, Oxnard CA 93030 • Phone 805.981.0262 • Fax 805.981.9403
www.waterwayplastics.com • waterway@waterwayplastics.com



Designed,
Engineered &
Manufactured
in the USA.

WIRING



ADVERTENCIA: RIESGO DE DESCARGA ELÉCTRICA O ELECTROCUCIÓN. La instalación de esta bomba para piscinas debe estar a cargo de un electricista certificado o matriculado o un experto en mantenimiento de piscinas calificado según lo indica el Código Eléctrico Nacional y todos los códigos y ordenanzas locales aplicables. La instalación inapropiada creará un riesgo eléctrico que podría provocar la muerte o daños a la propiedad. Siempre desconecte el suministro eléctrico que alimenta la bomba para piscinas desde el disyuntor antes de realizar el mantenimiento de la bomba. En caso de no hacerlo, el experto en mantenimiento o los usuarios de la piscina podrían sufrir serias lesiones e incluso la muerte debido a una descarga eléctrica.

1. Asegúrese de que todos los disyuntores eléctricos e interruptores estén apagados antes de cablear el motor.
2. Asegúrese de que el voltaje del cableado coincida con el voltaje del motor (230 V o 115 V). Si no coinciden, el motor se quemará.
3. Escoja el tamaño del cable de la Tabla 1. En caso de dudas, utilice un cable de mayor calibre (diámetro más grande). Un mayor calibre permitirá que el motor trabaje más en frío y de forma más eficiente.
4. Corte los cables a la longitud apropiada de forma que no se superpongan o toquen cuando estén conectados en el panel de terminales.
5. Asegúrese de que las conexiones estén prolijas y ajustadas.
6. Realice la conexión a tierra de forma permanente del motor con el tamaño de cable correcto y el tipo especificado por el Código Eléctrico Nacional. Asegúrese de que el cable con descarga a tierra esté conectado a una descarga de servicio eléctrico.
7. Sujete el motor a la estructura de la piscina de conformidad con lo establecido por el Código Eléctrico Nacional. Utilice un cable conductor AWG n.º 8 o de mayor calibre. Coloque el cable desde el muelle de protección externo de metal hasta la estructura de protección de la piscina.
8. Conecte la bomba de forma permanente al circuito. Asegúrese de que no hayan otras luces o artefactos en el mismo circuito.

TAMAÑOS DE CABLE DE SUMINISTRO (AWG)						
<i>Tamaño y longitud por caballos de fuerza</i>						
HP	115 V			230 V		
	50 pies	100 pies	150 pies	50 pies	100 pies	150 pies
1/3	14	14	12	14	14	14
1/2	14	12	10	14	14	14
3/4	12	12	10	14	14	14
1	12	10	8	14	14	14
1 1/2	10	10	8	14	14	12
2	10	8	8	14	12	12
3	–	–	–	12	12	12

TABLA 1



NOTA: Si la bomba se instala debajo del nivel del agua de la piscina, cierre las líneas de succión y de retorno antes de abrir el recipiente para cabellos y pelusa de la bomba. Asegúrese de reabrir las válvulas antes de poner la bomba nuevamente en funcionamiento.

MOTOR DE VELOCIDAD VARIABLE POWER DEFENDER 1.40 HP DE DOBLE VOLTAJE - ADVERTENCIAS Y ASISTENCIA



Guarde esta hoja de instrucciones y el folleto de interfaz de usuario A.O. Smith en un lugar seguro para utilizarlo en el futuro.



Lea atentamente todo el folleto que se adjunta para obtener información sobre el funcionamiento y la resolución de problemas del Power Defender 1.40 HP De Doble Voltaje.

CANASTO DEL FILTRO DE LA BOMBA

Esta unidad, en ocasiones conocida como el “recipiente para cabellos y pelusa” se encuentra en frente de la voluta. El recipiente de pelusa debe instalarse únicamente con cinta de teflón en las roscas. No utilice sellador químico líquido para rosca. El canasto dentro de la cámara debe estar limpio de hojas y suciedad en todo momento. Observe el canasto a través de la “tapa visora” para determinar si hay hojas o suciedad. Sin importar el período entre el que se realizan las limpiezas, lo más importante es inspeccionar visualmente el canasto para cabello y pelusa al menos una vez a la semana. Un canasto sucio reducirá la eficiencia del filtro y el calentador, y además ejercerá cierta presión en el motor de la bomba, lo que generará altos costos de reparación.



ADVERTENCIA: NO abra el recipiente del filtro si la bomba no puede ser cebada o si la bomba ha estado funcionando sin agua en el recipiente del filtro. Las bombas que funcionan en estas circunstancias pueden sufrir una acumulación de presión de vapor y pueden contener agua caliente. Abrir la bomba puede provocar lesiones personales serias. Para evitar la posibilidad de sufrir lesiones personales, asegúrese de que las válvulas de succión y descarga estén abiertas y que la temperatura del recipiente del filtro esté fría al tacto, luego actúe con extrema precaución.



PRECAUCIÓN: Para evitar el daño de la bomba y el filtro, y para un buen funcionamiento del sistema, limpie el filtro de la bomba y los canastos del skimmer con regularidad.



ADVERTENCIA: ESTE FILTRO FUNCIONA A ALTA PRESIÓN. CUANDO ALGUNA PARTE DEL SISTEMA DE CIRCULACIÓN (p. ej.: ARO DE TRABA, BOMBA, FILTRO, VÁLVULAS, ETC.) RECIBE MANTENIMIENTO, EL AIRE PUEDE INGRESAR AL SISTEMA Y PRESURIZARSE. EL AIRE PRESURIZADO PUEDE PROVOCAR QUE LA TAPA VUELE, LO QUE PUEDE CAUSAR LESIONES GRAVES E INCLUSO LA MUERTE O DAÑOS A LA PROPIEDAD. PARA EVITAR ESTE POSIBLE PELIGRO, SIGA ESTAS INSTRUCCIONES.

1. Apague el motor.
2. Purgue la presión del sistema.
3. Gire la tapa en dirección contraria a las agujas del reloj hasta que llegue al tope.
4. Levante la tapa y retire la junta.
5. Coloque la suciedad del canasto en el cubo de basura y enjuague el canasto. Si el canasto está roto, debe reemplazarlo.
6. Reemplace el canasto y rellene el recipiente de la bomba y la voluta hacia arriba hacia el puerto de entrada de agua.
7. Limpie la cubierta, la junta tórica, y la superficie de sellado del recipiente de la bomba. Lubrique la junta tórica con teflón o silicona.
8. Coloque nuevamente la tapa (figura 2).
9. Asegúrese de que la junta tórica de la tapa esté bien colocada. Apoye la tapa y luego gírela en dirección de las agujas del reloj. Ajuste con la mano (NO ajuste en exceso con herramientas) (Figura 3).
10. Luego encienda el disyuntor de la casa. Restablezca el reloj de la piscina y configure el horario correcto.
11. Abra la válvula de alivio de aire manual en la parte superior del filtro.
12. Apártese del filtro. Encienda la bomba.
13. Purgue aire del filtro hasta que salga un chorro constante de agua. Cierre la válvula de alivio de aire manual.

FIGURE 2

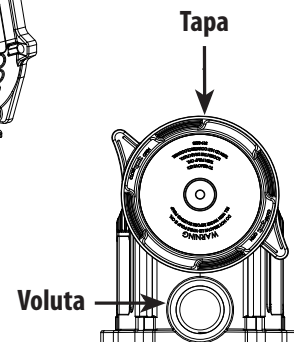


FIGURE 3

AISLAMIENTO DURANTE EL INVIERNO

Si la temperatura del aire cae por debajo de los 35 °F, el agua de la bomba puede congelarse y causar daños. El daño por congelamiento no está cubierto por la garantía.

Para evitar el daño por congelamiento, siga los procedimientos a continuación.

1. Desconecte el suministro eléctrico de la bomba en el disyuntor de la casa.
2. Retire los dos tapones de drenaje de la bomba para drenar el agua. Guarde los tapones en el canasto de la bomba.
3. Cubra el motor para protegerlo de la lluvia, nieve o hielo.
4. No envuelva el motor en plástico. Provocará condensación y óxido dentro del motor.

CUIDADO DEL MOTOR ELÉCTRICO

PROTEGER DEL CALOR

1. Proteja el motor del sol.
2. Todo compartimiento debe estar bien ventilado para evitar el sobrecalentamiento.
3. Permita una buena ventilación.

PROTEGER DE LA SUCIEDAD

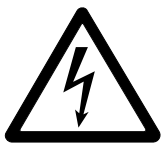
1. Proteja la unidad de elementos extraños o salpicaduras de agua.
2. No almacene (o derrame) químicos para piscina cerca del motor.
3. Evite limpiar o remover polvo cerca del motor cuando esté en funcionamiento.
4. Si el motor sufrió daños, se anulará la garantía.

PROTEGER DE LA HUMEDAD

1. Proteja la unidad del agua de la piscina.
2. Proteja la unidad del clima.
3. Proteja a la unidad de los regadores.
4. Si el motor se moja, permita que se seque antes de hacerlo funcionar. No permita que se utilice la bomba si ha sido inundada.
5. Si el motor sufrió daños por agua, se anulará la garantía.



NOTA: NO envuelva el motor en plástico o en otros materiales ajustados. Puede cubrir el motor durante una tormenta, para guardarlo durante el invierno, pero NUNCA cuando está en funcionamiento o se espera que funcione.



ADVERTENCIA: RIESGO DE DESCARGA ELÉCTRICA O ELECTROCUCIÓN. La instalación de esta bomba para piscinas debe estar a cargo de un electricista certificado o matriculado o un experto en mantenimiento de piscinas calificado según lo indica el Código Eléctrico Nacional y todos los códigos y ordenanzas locales aplicables. La instalación inapropiada creará un riesgo eléctrico que podría provocar la muerte o daños a la propiedad. Siempre desconecte el suministro eléctrico que alimenta la bomba para piscinas desde el disyuntor antes de realizar el mantenimiento de la bomba. En caso de no hacerlo, el experto en mantenimiento o los usuarios de la piscina podrían sufrir serias lesiones e incluso la muerte debido a una descarga eléctrica.



ADVERTENCIA: NO abra el recipiente del filtro si la bomba no puede ser cebada o si la bomba ha estado funcionando sin agua en el recipiente del filtro. Las bombas que funcionan en estas circunstancias pueden sufrir una acumulación de presión de vapor y pueden contener agua caliente. Abrir la bomba puede provocar lesiones personales serias. Para evitar la posibilidad de sufrir lesiones personales, asegúrese de que las válvulas de succión y descarga estén abiertas y que la temperatura del recipiente del filtro esté fría al tacto, luego actúe con extrema precaución.

DESMONTAJE DE LA BOMBA



PRECAUCIÓN: Asegúrese de no rayar o estropear las caras pulidas del sello. Si las caras se dañan, el sello provocará fugas.

Todas las piezas móviles están ubicadas en la parte posterior de la bomba.

Herramientas que se requieren:

- Llave de extremo abierto de 1/2 pulgadas
- Llave de extremo abierto de 9/16 pulgadas
- Destornilladores tipo paleta y Phillips

Para retirar y reparar el montaje del motor, siga los procedimientos a continuación:

1. Desconecte el disyuntor de la bomba en el panel principal.
2. Quite los tapones de drenaje para drenar la bomba.
3. Quite los 6 pernos que sostienen el cuerpo de la bomba principal (recipiente del filtro/voluta) al montaje trasero.
4. Con cuidado, separe las dos mitades de la bomba y retire la parte trasera.
5. Retire el difusor.
6. Sostenga el impulsor en su lugar y retire el tornillo de traba del impulsor con un destornillador Phillips. El tornillo tiene una rosca hacia la izquierda y se afloja en dirección a las agujas del reloj.
7. Retire la tapa del eje ubicada en la parte posterior del motor y sostenga el eje de forma segura con un destornillador tipo paleta (Century) o una llave de extremo abierta de 7/16 pulgadas (Franklin).
8. Para desenroscar el impulsor del eje, gire el impulsor en dirección contraria a las agujas del reloj.
9. Retire los cuatro pernos de la placa del sello hacia el motor con una llave de 9/16 pulgadas.
10. Coloque la placa del sello hacia abajo sobre una superficie plana y quite el sello de carbono/tipo resorte.
11. Limpie la placa del sello, la cubierta del sello y el eje del motor.

ENSAMBLE DE LA BOMBA/COLOCACIÓN DEL SELLO (FIGURA 4)

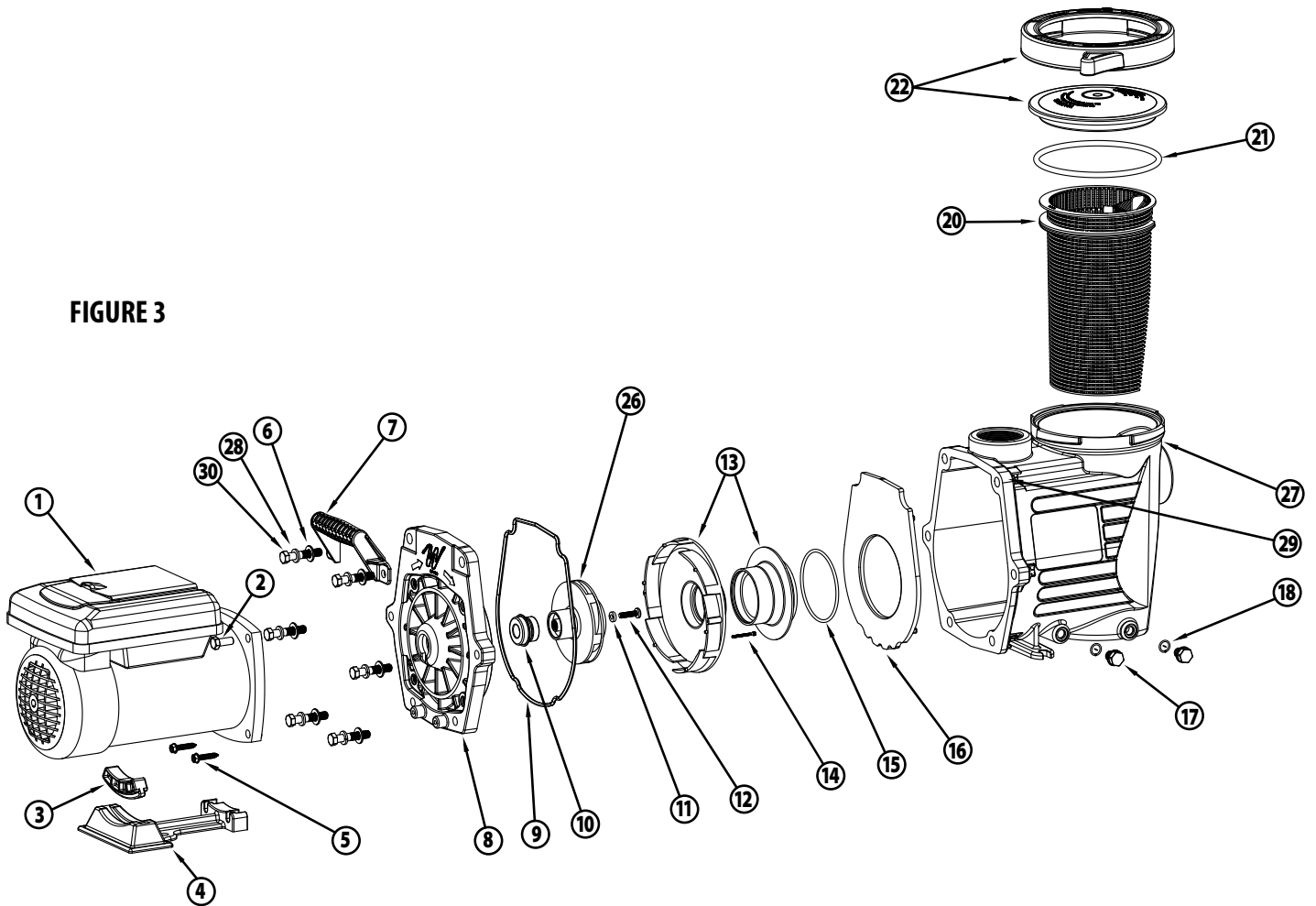


PRECAUCIÓN: Las caras pulidas y lapeadas del sello pueden dañarse si no las manipula con cuidado.

1. Cuando se instala el sello de carbono/cerámica de reemplazo, utilice sellador de silicona en la porción de metal antes de presionar la placa del sello.
2. Antes de instalar la sección de cerámica del sello en el impulsor, asegúrese de que el impulsor esté limpio. Utilice un jabón de baja densidad y agua para limpiar el sello. Presione el sello para colocarlo en el impulsor con sus dedos y limpie las caras de carbono y cerámica con un paño limpio.
3. Coloque nuevamente la placa del sello en el motor.
4. Atornille el impulsor al eje del motor.
5. Atornille el tornillo de traba del impulsor (en dirección contraria a las agujas del reloj para ajustarlo).
6. Coloque nuevamente el difusor en la placa del sello.
7. Lubrique la junta tórica del difusor.
8. Ensamble el submontaje del motor en la estructura de la bomba/recipiente del filtro. NO ajuste los pernos hasta que no haya colocado los seis en su lugar y los haya ajustado con los dedos.
9. Llene la bomba con agua.
10. Coloque nuevamente la tapa y gírela en dirección de las agujas del reloj. Ajuste con la mano (NO ajuste en exceso con herramientas).
11. Ceba el sistema. Consulte Cómo cebar el sistema.

PARTES DE REEMPLAZO DE LA BOMBA DE DOBLE VOLTAJE POWER DEFENDER 1.40 HP

FIGURE 3



N.º pieza	Cant.	Descripción
1	3POV360	1 Motor
2	819-0035	3 Perno 0,375-16 X 0,875 largo
3	672-1350	1 Soporte de motor Supra Max
4	319-1500	1 Base del motor
5	819-0013	2 Arandela hexagonal con ranura de tornillo de 1/4" X 1 1/4
6	820-0017	6 Arandela plana tipo B de 3/8", bombas para piscina
7	319-1700	1 Asa
8	311-1450	1 Placa frontal
9	711-1400	1 Junta, Placa frontal
10	319-3100B	1 Conjunto de sellos para bomba-Viton
11	711-4300	1 Arandela, impulsor
12	819-4360	1 Tornillo Phil. cabeza plana mano izquierda 1/4-20 X 1"
13	310-7470	1 Ensamble de difusor
14	819-0018	2 #4-40 pernos UNCS

N.º pieza	Cant.	Descripción
15	805-0238	1 Junta tórica 238
16	319-1420	1 Placa de difusor
17	715-1200	2 Tapón con ranura - 2" X 2" (extremo húmedo estándar)
18	805-0014	2 Junta tórica, -014
20	319-1430	1 Ensamble de canasto
21	805-0436	1 Junta tórica, tapa de trampa de 6"
22	319-4100	1 Ensamble de tapa, trampa de 6"
26	310-7410	1 Ensamble de impulsor
27	315-2410	1 Carcasa de bomba - 2" X 2" Npt
28	820-0017-1	6 Arandela de 3/8", traba partida
29	820-4280	6 Inserto de metal, carcasa de 3/8-16 UNC
30	819-0016	6 Tornillo cabeza hex. grande de 3/8"-16 X 2"

INSTRUCCIONES PARA PUESTA EN MARCHA NUEVAMENTE Y CEBADA DE LA BOMBA



PRECAUCIÓN: NO haga funcionar la bomba en seco. Si la bomba funciona en seco, el sello mecánico se dañará y la bomba comenzará a perder. Si esto sucede, el sello dañado deberá ser reemplazado. SIEMPRE mantenga el nivel de agua adecuado en su piscina. Si el nivel del agua cae antes de que se abra el skimmer, la bomba aspirará el aire a través del skimmer, se perderá la cebada y la bomba funcionará en seco, lo que dañará el sello.

Si la bomba se instala debajo del nivel del agua de la piscina, cierre las líneas de succión y de retorno antes de abrir el recipiente para cabellos y pelusa de la bomba. Asegúrese de reabrir las válvulas antes de poner la bomba nuevamente en funcionamiento.

El recipiente del filtro de la bomba debe estar lleno de agua antes de que se ponga en marcha la bomba. Siga los pasos a continuación para cebar la bomba. Para bombas de dos velocidades: La bomba debe funcionar a velocidad máxima para la cebada.

1. Retire la tapa de la bomba.
2. Rellene el recipiente del filtro de la bomba con agua.

3. Coloque nuevamente la tapa de la bomba en el recipiente del filtro. La bomba ahora está lista para ser cebada.
4. Abra la válvula de alivio de aire manual en la parte superior del filtro y manténgase alejado del filtro.
5. Encienda el interruptor o el temporizador.
6. Cuando el agua sale de la válvula de alivio de aire manual, cierre la válvula. El sistema ahora debería estar libre de aire y con agua circulando desde y hacia la piscina.

NOTA: El cebado automático de la bomba puede tomar hasta 3 minutos y medio para alcanzar la altura de elevación de 10 pies.

RESOLUCIÓN DE PROBLEMAS

FALLA DE LA BOMBA

1. No se logra el cebado de la bomba; demasiado aire. Solución:

- a. Controle las tuberías de succión y las glándulas de las válvulas en todas las válvulas del puerto de succión.
- b. Sujete la tapa del recipiente del filtro de la bomba y asegúrese de que la junta de la tapa esté en su lugar.
- c. Controle el nivel de agua para asegurarse de que el skimmer no arrastre aire.

2. No se logra el cebado de la bomba; no hay agua suficiente. Solución:

- a. Asegúrese de que las líneas de succión, el filtro de la bomba y la voluta de la bomba estén llenos de agua.
- b. Asegúrese de que la válvula de la línea de succión funcione y esté abierta (algunos sistemas no tienen válvulas).
- c. Controle el nivel de agua para asegurarse de que haya agua a través del skimmer.

CAUDAL O CABEZAL REDUCIDO

1. Bolsas de aire o fugas en la línea de succión. Solución:

- a. Consulte el inciso 1a de esta sección arriba.
2. El impulsor está tapado. Solución:
 - a. Desconecte el suministro eléctrico hacia la bomba.
 - b. Retire los pernos que sujetan la voluta a la placa del sello.
 - c. Deslice el motor y la placa del sello de la voluta.
 - d. Retire el difusor.
 - e. Limpie la suciedad del impulsor. Si no es posible eliminar la suciedad, siga los pasos a continuación:
 - (1) Retire el perno roscado a mano izquierda y la junta.
 - (2) Retire, limpie e instale nuevamente el impulsor.
 - (3) Coloque nuevamente el perno roscado a mano izquierda y la junta.
 - f. Coloque nuevamente el difusor y la junta tórica del difusor.
 - g. Coloque nuevamente el motor y la placa del sello en la voluta.
 - h. Ajuste los pernos.
3. El filtro de la bomba está tapado. Solución:
 - a. Limpie la trampa de succión.

GARANTÍA

Para registrar el producto, visite: www.waterwayplastics.com.

Garantía de consultas o reclamaciones por favor comunicarse al lugar de compra.



2200 East Sturgis Road, Oxnard CA 93030 • Phone 805.981.0262 • Fax 805.981.9403

www.waterwayplastics.com • waterway@waterwayplastics.com

