

WATERCO FIBERGLASS FILTERS / FILTRES WATERCO A FIBRES DE VERRE / FILTROS DE FIBRA DE VIDRIO WATERCO

Installation and Operation Manual Guide d'installation et d'utilisation Manual de instalación y funcionamiento



⚠ WARNING

This equipment must be installed and serviced by a qualified technician. Improper installation may result in property damage, serious injury or death. Improper installation and/or operation will void the warranty.

⚠ AVERTISSEMENT :

L'installation et l'entretien de cet équipement doivent être confiés à un technicien qualifié. Une installation incorrecte risque de provoquer des dégâts, des blessures graves, voire même la mort. Une installation et (ou) utilisation incorrecte(s) va (vont) rendre la garantie nulle et non avenue.

⚠ ADVERTENCIA

El equipo lo debe instalar y mantener un técnico formado. Una instalación incorrecta puede originar riesgos de tipo eléctrico que pueden causar daños materiales, lesiones graves o la muerte. Una instalación incorrecta invalidará la garantía.



Notice to installer

This manual contains important information about the installation, operation and safe use of this product. Once the product has been installed **this manual must be given to the owner/operator of this equipment.**

Consignes destinées à l'installateur

Ce manuel contient des informations importantes concernant l'installation, l'exploitation et l'utilisation en toute sécurité de ce produit. Une fois ce produit installé, **il faut remettre ce manuel au propriétaire / exploitant de cet équipement.**

Nota para el instalador

Este manual contiene información importante sobre la instalación, el funcionamiento y el uso seguro de este producto. Una vez se haya instalado el producto, **este manual debe entregarse al propietario/operador del equipo**

Table of Contents

SAFETY INFORMATION	02
WATERCO FIBERGLASS FILTERS	05
INSTALLATION	06
MULTIPORT (4 & 6 Way) VALVE OPERATION	09
INITIAL STARTUP OF FILTER.....	10
BACKWASHING.....	10
MAINTENANCE	12
WINTERIZING	12
TROUBLESHOOTING.....	13
WARRANTY	13

SAFETY INFORMATION

1. Waterco fiberglass filters are designed to work with water at a temperature > than 0°C and < than 40°C. The filter should never be operated outside of these temperatures or damage may occur.
2. The installation should be carried out in accordance to local safety standards and bylaws.
3. Any modification of the filter requires the prior consent from Waterco. Original replacement parts and accessories authorized by the manufacturer ensure a high level of safety. Waterco assumes no liability for the damage and injuries caused by unauthorized replacement parts and accessories.
4. The user should make sure that the installation is carried out by qualified authorized persons and that these persons have first carefully read the following instructions.
5. The operating safety of the filter is only guaranteed if the installation and operation instructions are correctly followed.
6. In the event of defective operation or fault, contact Waterco or its nearest authorized service agent.
7. To reduce the risk of injury, do not permit children to use this product.
8. Incorrectly installed equipment may fail, causing severe injury or property damage.
9. Chemical spills and fumes can weaken Swimming Pool / Spa equipment. Corrosion can cause filters and other equipment to fail, resulting in severe injury or property damage. Do not store pool chemicals near your equipment.

Basic safety precautions should always be followed, including the following: Failure to follow instructions can cause severe injury and/or death.

This is the safety-alert symbol. When you see this symbol on your equipment or in this manual, look for one of the following signal words and be alert to the potential for personal injury.



! **WARNING** warns about hazards that **could** cause serious personal injury, death or major property damage and if ignored presents a potential hazard.

! **CAUTION** warns about hazards that **will** or **can** cause minor or moderate personal injury and/or property damage and if ignored presents a potential hazard. It can also make consumers aware of actions that are unpredictable and unsafe.

The **NOTICE** label indicates special instructions that are important but not related to hazards.

! **WARNING - Read and follow all instructions in this owner's manual and on the equipment. Failure to follow instructions can severe injury and/or death.**

! **Warning - Suction Entrepment Hazard.**



⚠ WARNING - Hazardous Pressure. Pool and spa water circulation systems operate under hazardous pressure during start up, normal operation, and after pump shut off. Stand clear of circulation system equipment during pump start up. Failure to follow safety and operation instructions could result in violent separation of the pump housing and cover, and/or filter housing and clamp due to pressure in the system, which could cause property damage, severe personal injury, or death. Before servicing pool and spa water circulation system, all system and pump controls must be in off position and filter manual air relief valve must be in open position. Before starting system pump, all system valves must be set in a position to allow system water to return back to the pool. Do not change filter control valve position while system pump is running. Before starting system pump, fully open filter manual air relief valve. Do not close filter manual air relief valve until a steady stream of water (not air or air and water) is discharged.

⚠ WARNING - Separation Hazardous. Failure to follow safety and operation instructions could result in violent separation of pump and/or filter components. Strainer cover must be properly secured to pump housing with strainer cover lock ring. Before servicing pool and spa circulation system, filters manual air relief valve must be in open position. Do not operate pool and spa circulation system if a system component is not assembled properly, damaged, or missing. Do not operate pool and spa circulation system unless filter manual air relief valve body is in locked position in filter upper body. **Never operate or test the circulation system at more than 50 PSI. Do not purge the system with compressed air.** Purging the system with compressed air can cause components to explode, with risk of severe injury or death to anyone nearby. Use only a low pressure (below 5 PSI), high volume blower when air purging the pump, filter, or piping.



⚠ WARNING - Risk of Electric Shock. All electrical wiring MUST be in conformance with applicable local codes, regulations, and the National Electric Code (NEC). Hazardous voltage can shock, burn, and cause death or serious property damage. To reduce the risk of electric shock, do NOT use an extension cord to connect unit electric supply. Provide a properly located electrical receptacle. Before working on any electrical equipment, turn off power supply to the equipment. To reduce the risk of electric shock replace damaged wiring immediately. Locate conduit to prevent abuse from lawn mowers, hedge trimmers and other equipment. Do NOT ground to a gas supply line.

⚠ WARNING - Risk of Electric Shock. Failure to ground all electrical equipment can cause serious or fatal electrical shock hazard. Electrical ground all electrical equipment before connecting to electrical power supply.

⚠ WARNING - Risk of Electric Shock. Failure to bond all electrical equipment to pool structure will increase risk for electrocution and could result in injury or death. To reduce the risk of electric shock, see installation instructions and consult a professional electrician on how to bond all electrical equipment. Also, contact a licensed electrician for information on local electrical codes for bonding requirements.

Notes to electrician: Use a solid copper conductor, size 8 or larger. Run a continuous wire from external bonding lug to reinforcing rod or mesh. Connect a No. 8 AWG (8.4mm²) [No. 6 AWG (13.3mm²) for Canada] solid copper bonding wire to the pressure wire connector provide on the electrical equipment and to all metal parts of swimming pool, spa, or hot tub, and metal piping (except gas piping), and conduit within 5 ft (1.5m) of inside walls of swimming pool, spa or hot tub.

IMPORTANT - Reference NEC codes for all wiring standards including but not limited to, grounding, bonding and other general wiring procedures.



⚠ WARNING - Risk of Electric Shock. The electrical equipment must be connected only to supply circuit that is protected by a ground-fault circuit-interrupter (GFCI). Such a GFCI should be provided by the installer and should be tested on a routine basis. To test the GFCI, push the test button. The GFCI should interrupt power. Push reset button. Power should be restored. If the GFCI fails to operate in this manner, the GFCI is defective. If the GFCI interrupts power to the electrical equipment without the test button being pushed, a ground current is flowing, indicating the possibility of an electrical shock. Do not use this electrical equipment. Disconnect the electrical equipment and have the problem corrected by a qualified service representative before using.

⚠ CAUTION - Waterco pumps are intended for use with permanently-installed pools and may be used with hot tubs and spas if so marked. Do not use with storable pools. A permanently-installed pool is constructed in or on the ground or in a building such that it cannot be readily disassembled for storage. A storable pool is constructed so that it is capable of being readily disassembled for storage and reassembled to its original integrity.

⚠ WARNING - Risk of Hyperthermia. To avoid hyperthermia the following "Safety Rules for Hot Tubs" are recommended by the U.S. Consumer Product Safety Commission.

1. Spa or hot tub water temperatures should never exceed 104°F (38°C) is considered safe for a healthy adult. Special caution is suggested for young children. Prolonged immersion in hot water can induce hyperthermia.
2. Drinking of alcoholic beverages before or during spa or hot tub use can cause drowsiness, which could lead to unconsciousness and subsequently result in drowning.
3. Pregnant women beware! Soaking in water above 100°F (38°C) can cause fetal damage during the first three months of pregnancy (resulting in the birth of brain-damaged or deformed child). Pregnant women should adhere to the 100°F (38°C) maximum rule.
4. Before entering the spa or hot tub, users should check the water temperature with an accurate thermometer; spa or hot tub thermostats may err in regulating water temperatures by as much as 4°F (2.2°C).
5. Persons taking medications, which include drowsiness, such as tranquilizers, antihistamines or anticoagulants, should not use spas or hot tubs.
6. If the pool/spa is used for therapy, it should be done with the advice of physician. Always stir pool/spa water before entering the pool/spa to mix in any hot surface layer of water that might exceed healthful temperature limits and cause injury. Do not tamper with controls, because scalding can result if safety controls are not in proper working order.
7. Persons with medical history of heart disease, circulatory problems, diabetes or blood pressure problems should obtain a physician's advice before using spas or hot tubs.
8. Hyperthermia occurs when the internal temperature of the body reaches a level several degrees above normal body temperature of 98.6°F (37°C). The symptoms of hyperthermia include: drowsiness, lethargy, dizziness, fainting, and an increase in the internal temperature of the body.

The effects of Hyperthermia include:

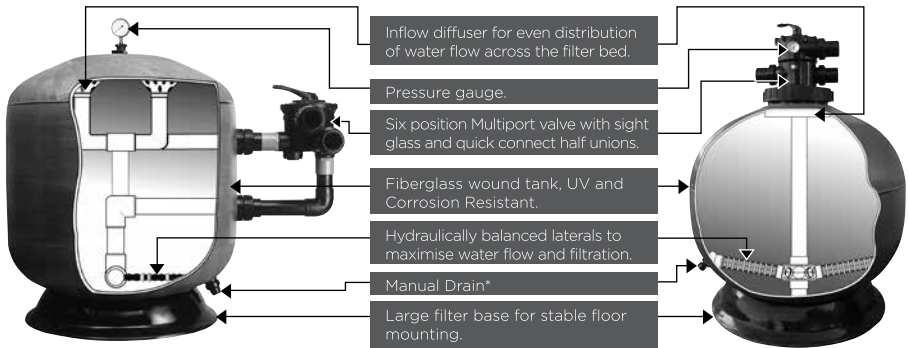
1. Unawareness of impending danger
2. Failure to perceive heat.
3. Failure to recognize the need to leave the spa.
4. Physical inability to exit the spa.
5. Fetal damage in pregnant women.
6. Unconsciousness resulting in danger of drowning

SAVE THESE INSTRUCTIONS

WATERCO FIBERGLASS FILTERS

Waterco fiberglass filters embody the latest in fiberglass winding technology. Waterco fiberglass vessels consist of an inner shell of fiberglass reinforced polyester resin wound over with fiberglass filament. Waterco's digitally controlled filament winding machine faultlessly winds continuous strands of high quality fiberglass filament under controlled tension filament to create a seamless one-piece vessel with refined consistency and superior quality.

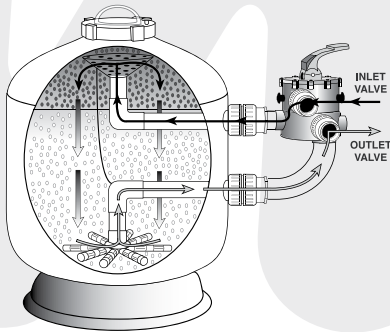
There are no welds or seams or special tank linings which can corrode or electrolyse.



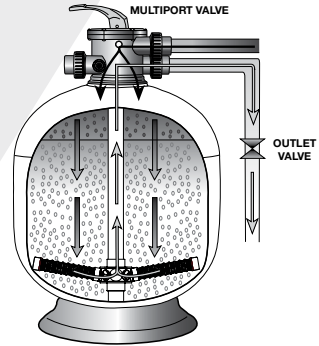
Waterco Sidemount fiberglass filters

Waterco Top Mount fiberglass filters

* Optional manual drain



Waterco Sidemount fiberglass filters



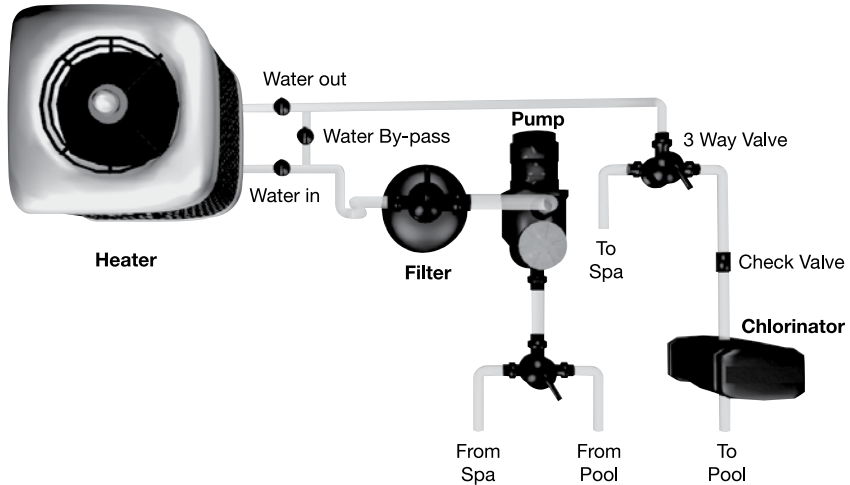
Waterco Top Mount fiberglass filters

Filtration

Waterco Fiberglass filters operate on the basis of “depth filtration”; dirt is driven through the filter bed and trapped in minute spaces between the particles of filter media allowing filtered water to pass through the filter’s laterals and exit via the filter’s Multiport valve.

INSTALLATION

1. Position the filter as close to the Swimming Pool / Spa as possible.
2. Position the filter so that it is free from flooding, away from sumps, guttering, garden hollows, etc.
3. Position the filter so that the piping connections, Multiport Valve and winter drain is convenient and accessible for operation, servicing and winterizing.
4. Ensure that the compliance label is facing the front to allow easy identification.
5. The filter should be placed on a level concrete slab, very firm ground, or equivalent. Ensure that the ground will not subside, preventing any strain from the attached plumbing.
6. Ensure that there is no movement of the filter during operation of the Multiport Valve.
7. Allow sufficient clearance around the filter to permit visual inspection of the entire system.



Filling the Filter Media

1. Before filling the filter media into the filter vessel, do a visual check of the laterals. Look for broken or loose laterals. Replace if necessary.
2. To eliminate stress on the laterals, fill the filter vessel half full of water to provide a cushioning effect when the filter media is poured in.
3. **(a) Top Mount Fiberglass Filters** - Top Mount Fiberglass Filters are supplied with a perforated plastic locator, which centers the stem and prevents media from entering the stem pipe. Place the perforated plastic locator on the center stem of the filter and carefully pour in the filter media via the perforated holes of the plastic locator. Remove the plastic locator once completed.

NOTE: If a template is not provided or is lost you must center the stem and cover the stem opening to prevent non-alignment and media entering the stem pipe.

(b) Side Mount Fiberglass Filters (SM600) - Remove the top diffuser from the internal diffuser pipe and place the flexible air relief tube to the side, out of the way, inside the filter vessel. Cap the internal diffuser pipe with the filter media shield provided to prevent filter media from entering it. **DO NOT MOVE DIFFUSER PIPE** as this can affect the integrity of the bulkhead seal.

NOTE: The above instructions do not apply to Sidemount Fiberglass Filters larger than SM600 filters. Any filter media entering the diffusers will be removed during normal operation.

4. Wash all the filter media and debris away from the threads and sealing surfaces of the filter vessel.
5. Lubricate the o-ring or gasket (bolt down type) MPV and thread to the filter. Lubricant should be silicon based and not petrochemical based.
6. Thread the Multiport Valve or Top Cap onto the filter tank and hand tighten.

Plumbing

1. Check that the incoming water pressure is within the filter's recommended working pressure and ensure that a pressure limiting valve is installed if using mains water or a high pressure pump.
2. Ensure that a foot valve / non return valve is installed if the pump is installed 500mm / 20" above the water level.
3. If the filter is installed below the water level or connected to mains water, isolation valves should be installed at the inlet and outlet of the filter. This will prevent water flow during any routine maintenance.
4. Minimize the length of pipe and the number of fittings to minimize restrictions to water flow.
5. Connect all plumbing to the Multiport Valve taking care that all plumbing connections are glued and tightened securely to prevent leaking.
6. Ensure solvents are not excessively applied to fittings as this could run into o'rings and create sealing problems.
7. Do not over tighten fittings or adapters.

Installation of the Multiport Valve

Top Mount Fiberglass Filters are supplied with either a Top Mount screw down Multiport Valve or clamp down Multiport Valve.

Side Mount Fiberglass Filters are supplied with the option of a Side Mount Multiport Valve with a plumbing kit designed to be connected to the side ports of the filter.

Each Multiport Valve is supplied three threaded barrel unions.

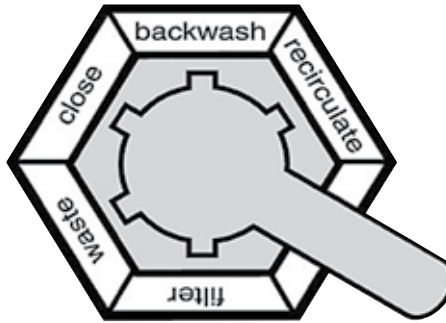
1. Check that the top of the filter is free from any filter media or debris and if there is a valve o'ring, please check that the valve o'ring is in place.
2. Check the label of each valve port and position the valve accordingly. Pump port must be plumbed to the pump discharge, waste port must be plumbed to the waste line and the return port must be plumbed to the return line
3. **Top Mount Screw Down Multiport Valve** - Rotate the Multiport Valve into the filter vessel's threaded connection.

Top Mount Clamp Down Multiport Valve - Align the valve with the top of the tank flange. Place the clamp half over the valve flange and the tank flange. Insert the clamp screws and nuts in the clamp, making sure that the nuts are located in the retainer slots on the clamps. Tighten the clamp screws firmly and check that the valve and clamp are correctly assembled.

Side Mount Multiport Valve - Align the Multiport Valve's plumbing kit with the filter's threaded connection ports. Screw the plumbing kit's barrel unions onto the filter connection ports and hand tighten. Do not over tighten the barrel unions as this can lead to damage and void warranty.

4. Screw the Multiport Valve barrel unions onto the threaded connection ports of Multiport Valve and hand tighten. The barrel union should be firmly threaded into the Multiport Valve and there should be no play between the thread. Do not over tighten the barrel unions as this can lead to damage and void warranty.
5. Glue the PVC pipe to the barrel unions and Allow 24 hours for glue (solvent) to set before starting the filter.
6. Test the filter and check for leaks around the threads.

MULTIPOINT (4 & 6 Way) VALVE OPERATION



1. Filter - Position for filtration.

Incoming water from the piping system is automatically directed by the Multiport Valve to the top of the filter bed. As the water is pumped through the filter bed, dirt and debris are trapped by the filter bed. The filtered water is returned from the bottom of the filter vessel, through the Multiport Valve and back through the piping system.

2. Backwash - Position for cleaning the filter media.

Water flow is reversed by the Multiport Valve through the filter bed so that water flow is directed to the bottom of the filter vessel and up through the filter bed, flushing the previously trapped dirt and debris out the waste line.

3. Rinse - Position for flushing the filter system.

The water flow is directed by the Multiport Valve through the filter bed and out. This process settles the filter media bed into place and ensures any dirt or debris is rinsed out of the filter, preventing dirt or debris returning to the Swimming Pool / Spa.

NOTE: This position is not available on 4-Way Multiport Valves.

4. Waste - Position for bypassing the filter bed to waste.

The water flow is directed by the Multiport Valve straight to the backwash outlet, bypassing the entire filter bed. This Multiport Valve position is used lower the water level or for vacuuming water with high dirt loads.

5. Re-circulate - Position for bypassing the filter bed to the Swimming Pool / Spa.

The Multiport valve recirculates water flow directly back to the Swimming Pool / Spa, bypassing the filter.

6. Closed - Position for closing all flow to the filter.

The Multiport Valve can be closed to enable servicing of pump without draining the water from the filter. This position is not to be used with the pump operating.

NOTE: This position is not available on 4-Way Multiport Valves.

⚠ CAUTION

Operation of the Multiport Valve or mode selection is to be always done with the pump switched off.

INITIAL STARTUP OF FILTER

Be sure correct amount of filter media is in the filter vessel and that all connections are hand tightened.

1. Depress Multiport Valve handle and rotate to the BACKWASH position and open the air release valve on the filter or Multiport Valve.

NOTE: To prevent damage to control valve seal, always depress handle before turning.

2. Switch on the Pump / Open the Inlet Valve allowing the filter vessel to fill with water.

NOTE: If a pump is installed, switch the pump on and off, instead of closing and opening the Inlet Valve.

3. Once a steady flow of water is running through the waste line, close the air release valve and let the pump run until the waste water is clear. The initial backwashing of the filter is recommended to remove any impurities or fine particles from the filter media until the sight glass is clear. This process may take up to 3 minutes.

4. Turn the pump off, Multiport Valve to the RINSE position. Switch on the Pump / Open the Inlet Valve until water in sight glass is clear — approximately 10 to 15 seconds .

5. Switch off the Pump / Close the Inlet Valve, set the Multiport Valve to the FILTER position and Switch on the Pump / Open the Inlet. The filter is now operating in its normal filter mode.

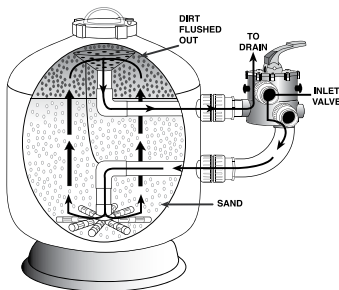
6. Adjust pool suction and return valves to achieve desired flow. Check the plumbing and filter for water leaks and tighten connections, bolts, and nuts, as required.

7. Record the pressure gauge reading (start up pressure) during initial operation. After a period of time, the accumulated dirt and debris in the filter causes a resistance to flow, and the flow diminishes. The pressure will start to rise and the flow of water will start diminishing. When the pressure gauge reading is 50 kPa (7.2 psi) higher than the initial "Start up" pressure, it is time to backwash (clean) the filter (see Backwashing).

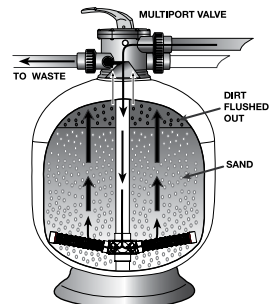
NOTE: If the filter is connected to mains water, it is not necessary to record the "Start up" pressure, as mains pressure tends to fluctuate.

BACKWASHING

The function of backwashing is to separate the deposited particles from the filter media grains and flush them from the filter bed. Backwashing is achieved by reversing the flow of water through the filter bed at a fairly high flow rate. This high flow rate expands the filter bed and the water flow carries the debris out to waste.



Waterco Sidemount Fiberglass Filters



Waterco Top Mount Fiberglass Filters

Conditions for Backwashing :-

Time for backwashing is determined by the following conditions:

1. The flow rate through the filter bed decreases until it is insufficient to meet the demand.
2. The removal efficiency of the filter bed decreases to the point where filter water quality deteriorates or results in dirt or debris returning to the pool.
3. When the pressure gauge reading is 50 kPa (7.2 psi) higher than the start up pressure.
4. If the filter is connected to mains water, pressure rise is not an accurate indicator as mains pressure tends to fluctuate. It is best to rely on the actual flow rate.

Importance of Backwashing

The importance of backwashing cannot be overstated. Dense filter media can become “packed” without proper and frequent enough backwashing. Debris will remain trapped and create channeling within the filter bed. This will result in the filter bed exhausting early. Moreover, if debris is not flushed from the media grains, the filter bed will become dirtier and dirtier as time goes on until the filter operation fails.

Backwashing Instructions :-

1. Switch off the Pump / Close the Inlet Valve.
2. Release the filter's pressure by loosening Pressure Release Valve until the Pressure Gauge needle drops to zero 0 PSI.
3. Retighten Pressure Release Valve.
4. Depress and turn Handle 180° to the BACKWASH position.
In the BACKWASH position, the water flow is automatically reversed through the filter so that it is directed to the bottom of the filter vessel, up through the filter bed, flushing the previously trapped dirt and debris out the waste line.
5. Switch on the Pump / Open the Inlet Valve. Backwash water will flow out through filter bed drain pipe.
6. When the backwash water in the sight glass appears clear, Switch off the Pump / Close the Inlet Valve.
7. Depress and turn the handle to the RINSE position.
In the RINSE position water flow is directed through the filter bed as normal filter mode but out through the waste outlet. This process settles the filter media bed into place and ensures any dirt or debris is rinsed out of the filter, preventing possible return to the pool.
8. Switch on the Pump / Open the Inlet Valve. Rinse water will flow out through the drain pipe.
9. When the rinse water in the sight glass appears clear. Switch off the Pump / Close the Inlet Valve.
10. Depress and turn the handle to the Filter position and Switch on the Pump / Open the Inlet Valve for normal operation.

MAINTENANCE

The filter media will only require replacement once it has reached the limits of its designated life. Refer to the product information of the particular filter media used.

To ensure the maximum life of the selected filter media, please follow the procedures below:

1. Backwash the filter regularly according to the instructions set under "Backwashing".
2. Refer to the specifications of the filter media used and implement regeneration procedures accordingly.
3. Maintain a correct chemical balance of your pool / spa water. The chemical balance of water is a relationship between its pH, total alkalinity, calcium hardness and water temperature. The water must be maintained at all times to the following:

PH LEVEL	: BETWEEN 7.2 & 7.8.
TOTAL ALKALINITY	: BETWEEN 80 & 150ppm.
CALCIUM HARDNESS	: BETWEEN 150 & 300ppm.

And within these tolerances be balanced to the Langelier Saturation Index within a range of -0.2 to +0.2.

NOTE: Testing kits are available to test the water yourself or alternately bring a sample of the water to a professional pool and spa shop.

4. Mains water and rural water supplies need to be monitored. Saturation (life) in mains water or bore (rural) will vary depending on water quality.
5. To prevent damage to the pump and filter and for proper operation of the system, clean pump strainer and skimmer baskets regularly.
6. Replace the pressure gauge if faulty readings are observed.

WINTERIZING

Proper winterizing procedures should always be taken in order to protect your filter in cold climates [temperatures below freezing point]

1. Switch off the Pump / Close the Inlet Valve,
2. Open the air release valve and move the MPV handle to the winterise position [between Filter and Waste] This will allow air to through to all ports.
3. Remove any drain plugs from the filter.
4. Drain water from the pipework.

TROUBLESHOOTING GUIDE

Above normal or excessive force to operate the Multiport Valve	<p>Scoring or jamming with foreign matter or debris. If this condition persists after rinsing, disassemble the valve to clear dirt and debris. Continued operation of the valve may result in a non-sealing condition (damage to spider gasket). This will lead to water loss to the backwash line or to inefficient filtration.</p> <p>Note: A filter sock is recommended during pool vacuuming, to prevent dirt and debris lodging between the spider gasket and MPV body.</p>
Water is not clear	<ol style="list-style-type: none"> 1. Insufficient filtration time. 2. Heavy bathing or dirt load. Pool must be flocculated and vacuumed directly to waste. 3. Filter is dirty, requiring a thorough backwash. 4. Air leaking on suction (influent line). 5. Pump impeller vanes blocked. 6. In sufficient water supply (water level low, blockage). 7. Pump not primed. 8. In correct water chemistry. 9. Excessive flow of water for filter size. Foreign matter or debris forced through filter bed and through the under drain. 10. Other restrictions including (pool suction cleaners) resistance from other inline equipment such as strainers. Operating the filter on recirculate will determine if the restriction is in the filter. 11. Clogged or channeled filter media. Perform thorough backwash or regeneration.
Filter media flushed out to waste during backwash	<ol style="list-style-type: none"> 1. Excessive quantity of media in the filter. 2. Excessive water flow. 3. Incorrect sized or grade of filter media.
Filter Media returning to Swimming Pool/ Spa	<ol style="list-style-type: none"> 1. Filter is on recirculate. 2. Verify it is the filter media and not from another source. 3. Damage to the under-drain laterals. 4. Damaged or incorrect connections to the Multiport Valve. 5. Incorrect sized or grade of filter media.
Short filtration cycles	<ol style="list-style-type: none"> 1. Presence of algae or a scale build up. 2. Check water chemistry. 3. Excessive water flow, check pump size / mains water flow. 4. Filter blocked through calcium etc. clean filter media. 5. Ineffective backwash, perform thorough backwash.
High pressure on start-up.	<ol style="list-style-type: none"> 1. Small eyeball fitting in Pool / Spa. 2. Partially closed valve on return line. 3. Pump size is too large for the filter.

WARRANTY

Please refer to Waterco's warranty terms and conditions.