

WATERCO

water, the liquid of life

www.waterco.us

HRVR SERIES

SIDE MOUNT MEDIA FILTERS

Waterco fiberglass filters embody the latest in fiberglass winding technology. The filters are constructed from anti-corrosive, nontoxic materials and are engineered to withstand the high flow and pressures of today's demanding installations. With the reinforced neck ring and solid lid closure this filter is the best for today's most demanding projects. Maximum operating pressure: 58PSI

- **Internal Bulkhead Wall reinforced for superior structural integrity**
- **Retro Fit Design with 7.5" Port Spacing for direct replacement for Pentair's Triton**
- **Positive 8" clamping design for larger internal access**
- **2" Bulkhead Connections**
- **1.5 " Drain Assembly**
- **Fishtail Laterals for improved backwashing hydraulic efficiency**
- **Saves up to 30% waste water**
- **Industry Leading 10 Year Tank Warranty**

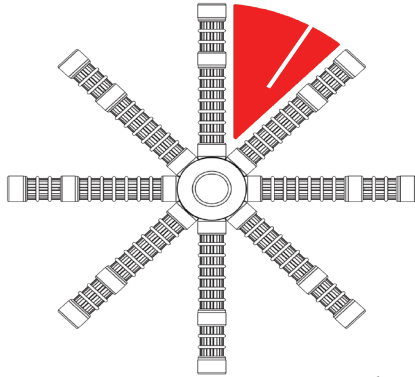


Certified to
NSF/ANSI Standard 50

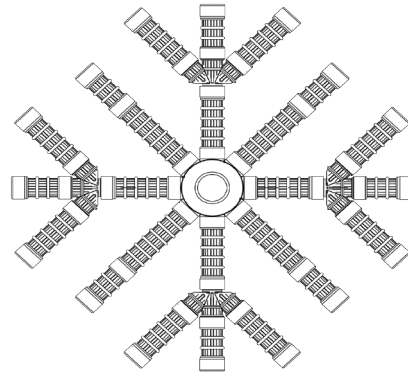


BEST IN CLASS - FEATURING OUR FISHTAIL LATERAL SYSTEM

Dead Space Between Laterals



Dead Space Virtually Eliminated



- Better Coverage Eliminates Dead Space
- Engineered to Improve Backwash Efficiency
- Reduces Filtration pressure loss
- In combination with Waterco's Glass Pearls saves up to 30% of backwash water

HRVR SIDE MOUNT SAND FILTER

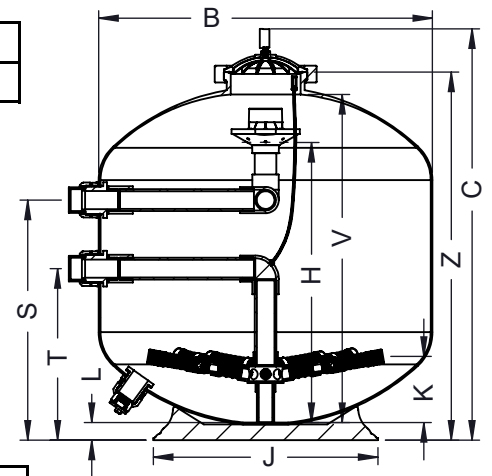
| PART NUMBER | PRODUCT DESCRIPTION | NSF |
|-------------|--|-----|
| 22207248R | HRVR 24 2" BH CONN. 58 PSI (NSF) 7.5" PORT SPACING | |
| 22207308R | HRVR 30 2" BH CONN. 58 PSI (NSF) 7.5" PORT SPACING | |
| 22207368R | HRVR 36 2" BH CONN. 58 PSI (NSF) 7.5" PORT SPACING | |

VALVES

| PART NUMBER | PRODUCT DESCRIPTION |
|-------------|--|
| 2290591 | MPV 2" SM NPT WITH PIPING AND HRVR UNION 7.5" PORT |

DIMENSIONS

| MODEL | B | C | H | J | K | L | S | T | V | Z |
|---------|------|------|------|------|-----|-----|--------|--------|------|------|
| INCHES | | | | | | | | | | |
| HRVR 24 | 24.6 | 37.3 | 23.1 | 19.0 | 4.2 | 2.5 | 21.125 | 13.625 | 27.8 | 32.1 |
| HRVR 30 | 31.1 | 41.5 | 23.5 | 23.0 | 5.7 | 4.7 | 23.750 | 16.250 | 29.4 | 36.3 |
| HRVR 36 | 36.5 | 45.5 | 30.8 | 24.6 | 7.4 | 1.9 | 26.250 | 18.750 | 35.8 | 40.2 |



SPECIFICATIONS

| MODEL | PORT SIZE | BED DEPTH | INNER DIAM. | FILTER AREA | MAX FLOW | MAX POOL SIZE | BACK-WASH FLOW RATE | MEDIA VOLUME | GLASS PEARL 0.6-0.8 | SAND 0.6-1.2 |
|---------|-----------|-----------|-------------|-------------|----------|---------------|---------------------|--------------|---------------------|--------------|
| | INCH | INCH | INCH | SQ FT | GPM | GAL | GPM | GAL | LB | LB |
| HRVR 24 | 2.0 | 11.0 | 24 | 3.14 | 63 | 22,680 | 47-63 | 24 | 360 | 325 |
| HRVR 30 | 2.0 | 12.0 | 30 | 4.91 | 98 | 35,280 | 74-98 | 45 | 660 | 600 |
| HRVR 36 | 2.0 | 13.0 | 36 | 7.07 | 141 | 50,760 | 106-141 | 64 | 950 | 850 |