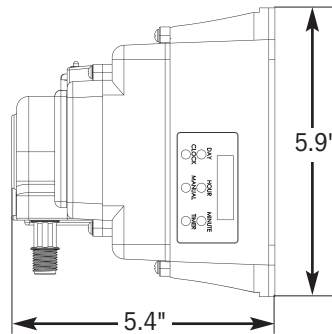
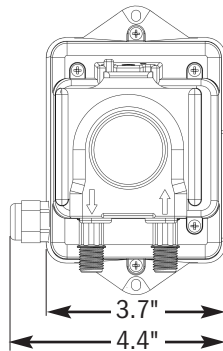


ECON T SERIES SPECIFICATIONS

STENNER PUMPS



SHIPPING WEIGHT 4 lbs (1.7 kg)



25 psi models tested and certified by Intertek to Standard ANSI/NSF 50, Equipment for Swimming Pools, Spas, Hot Tub, and other Recreational Water Facilities.

FLOW RATE OUTPUT CONTROL

24-hr programmable clock; 7 day, 24 event timer

REPRODUCIBILITY ±5%

MAXIMUM WORKING PRESSURE

25 psi (1.7 bar), 80 psi (5.5)

MAXIMUM OPERATING TEMPERATURE

104°F (40°C)

MAXIMUM SUCTION LIFT

25 ft (7.6 m) vertical lift, based on water

MOTOR TYPE 24VDC, brushed

SHAFT RPM (average maximum) 9, 18 or 40

DUTY CYCLE Continuous

MOTOR VOLTAGE (Amp Draw)

120V 60Hz, 240V 50Hz (0.17)

POWER CORD TYPE 120V 60Hz, 240V 50Hz: STP-2W

POWER CORD PLUG END

Wall adapter, Class II power supply: 100-120V, 60Hz;

1.0A maximum input, two prong, polarized 24VDC,

1.25A output or 220-240V, 50Hz: 1.0A maximum input,

two prong, CEE7 style plug 24VDC 1.87A output

CLASSIFICATION Indoor/Outdoor

MATERIALS OF CONSTRUCTION

All Housings Polycarbonate

Pump Tube & Check Valve Duckbill

Santoprene™, FDA approved

Pump Head Rollers Polyethylene

Suction/Discharge Tubing, Ferrules

Polyethylene, FDA approved

Tube and Injection Fittings

PVC or Polypropylene, NSF listed

Connecting Nuts PVC, NSF listed

Suction Line Strainer and Cap

PVC or Polypropylene, NSF listed, with Ceramic Weight

All Fasteners Stainless steel

* Santoprene™ is a registered trademark of Exxon Mobil Corporation.

ACCESSORY KIT SHIPPED WITH EACH PUMP

3 Connecting nuts 1/4"

3 Ferrules 1/4"

1 Injection check valve 80 psi (5.5 bar) max.
OR 1 Injection fitting 25 psi (1.7 bar) max.

1 Weighted suction line strainer 1/4"

1 20' Roll suction/discharge tubing
1/4" white or black

OR 6 mm White *Europe*

1 Additional pump tube

1 Manual

FLOW RATE OUTPUT CHART

25 psi (1.7 bar) maximum

Item Number Prefix	Pump Tube	Roller Assembly	Gallons per Day	Gallons per Hour	Ounces per Hour	Ounces per Minute	Liters per Day	Liters per Hour	Milliliters per Hour	Milliliters per Minute
E10T1A	A	White	2.5	0.10	13.2	0.22	9.5	0.39	396.0	6.60
E10T2A	A	White	5.0	0.21	26.4	0.44	18.9	0.79	786.0	13.10
E10T2B	B	White	8.5	0.35	45.6	0.76	32.2	1.34	1338.0	22.30
E10T2C	C	White	15.0	0.63	79.8	1.33	56.8	2.37	2364.0	39.40

Approximate Maximum Output @ 50/60Hz

80 psi (5.5 bar) maximum

Item Number Prefix	Pump Tube	Roller Assembly	Gallons per Day	Gallons per Hour	Ounces per Hour	Ounces per Minute	Liters per Day	Liters per Hour	Milliliters per Hour	Milliliters per Minute
E10T1F	F	White	0.6	0.02	3.0	0.05	2.2	0.09	90.0	1.50
E10T2F	F	White	1.3	0.05	6.6	0.11	4.8	0.20	198.0	3.30
E20T4F	F	White	3.4	0.14	18.0	0.30	13.1	0.54	544.8	9.08
E20T4G	G	Black	12.3	0.51	65.4	1.09	46.5	1.94	1937.4	32.29
E20T4H	H	Black	21.7	0.90	115.2	1.92	82.0	3.41	3416.4	56.94

Approximate Maximum Output @ 50/60Hz

NOTE: Injection check valve included with pumps rated 80 psi (5.5 bar) maximum.



NOTICE: The information within this chart is solely intended for use as a guide. The output data is an approximation based on pumping water under a controlled testing environment. Many variables can affect the output of the pump. Stenner Pump Company recommends that all metering pumps undergo field calibration by means of analytical testing to confirm their outputs.