

ECON T and TD SERIES

Programmable Timer 24 Hour-7 Day



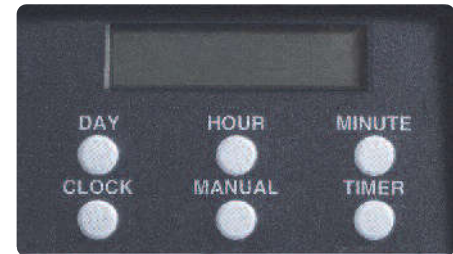
ECON T



ECON T TANK SYSTEM

Automatic Dosing Control for Timed Applications

The Econ T and TD pumps provide automatic injection and offer flexibility to program a customized dosing schedule for light duty applications. The pumps have 24 independent On and Off events within a 7 day period easily set using the digital control pad with LCD display. Each event can be programmed for a specific On time and a specific Off time for each selected day or days of the week, and each timer can be set in hour and minute increments. The programmable clock uses a 24-hour format. A battery is included as a back-up to power loss and to maintain the internal time and programmed events. When the pump is operating, the screen displays the current day, time and mode of operation.



ECON TD Electric



ECON TD Battery-Powered

Quick Facts

ECON T

- 0.22–1.33 oz/min, pressures to 25 psi maximum
- 0.05–1.92 oz/min, pressures to 80 psi maximum
- Santoprene® pump tube
- Wall adapter power supply
- Optional mounting accessories
- Available as a Tank System

Quick Facts

ECON TD

- 0.81–3.18 oz/min, pressures to 5 psi maximum
- FKM pump tube for d-limonene
- Wall adapter power supply
- Indoor/outdoor use
- Optional mounting accessories

ECON TD Battery-Powered

- 2.2–4 oz/min, pressures to 5 psi maximum
- FKM pump tube for d-limonene
- Silicone pump tube
- 8 D cell batteries 1.2V-1.5V
OR 2 6V lantern batteries, not included
- Indoor use
- Wall mountable only

Applications

ECON T

- Biocide feed for Legionella prevention in small cooling towers
- Sanitation for water fountains
- Injection of liquid solar blankets or enzymes for commercial pools
- Injection for scale and algae control in poultry evaporative cool cells
- Disinfection of poultry hatchery dip tanks

ECON TD

The Econ TD pumps are an extension of the Econ T programmable timer series designed for 5 psi or less. Timed applications such as commercial drain line maintenance, grease trap treatment or odor control installations are some of the possibilities. Unlike the Econ T, both TD pumps offer an FKM tube for d-limonene. The Econ TD battery-powered pump offers a silicone pump tube option and is the only pump in the Econ line with a blue roller assembly.

Accessory Kit Shipped with Each Pump

ECON T

- 3 Connecting nuts 1/4"
- 3 Ferrules 1/4" or 6 mm *EUROPE*
- 1 Injection check valve 80 psi (5.5 bar) maximum
OR 1 injection fitting 25 psi (1.7 bar) maximum
- 1 Weighted suction line strainer 1/4" or 6 mm *EUROPE*
- 1 20' Roll suction/discharge tubing 1/4" white
OR 6 mm white *EUROPE*
- 1 Additional pump tube
- 1 Manual

ECON TD

- 3 Connecting nuts 1/4"
- 3 Ferrules 1/4" or 6 mm *EUROPE*
- 1 Injection fitting
- 1 Ceramic weight with clip 1/4"
- 1 20' Roll suction/discharge tubing 1/4" white or UV black
OR 6 mm white *EUROPE*
- 1 Manual and addendum

NOTE: Econ TD Battery Pump includes 1 mounting bracket

Features

- Advantages of Stenner peristaltic pumps on page 1
- Patented quick release pump head
- Effortless tube replacement without tools
- Enclosed housing
- Wall mountable

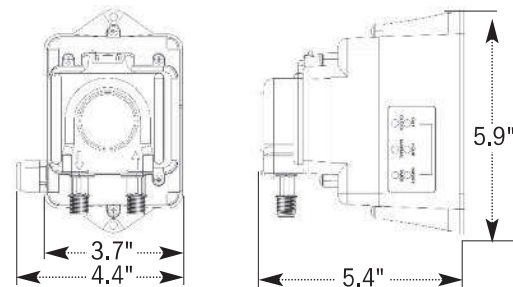
Weights and Dimensions

ECON T and ECON TD Electric-Powered

Shipping Weight 4 lbs (1.8 kg)

Box Dimensions 8 x 8 x 10 in. (21 x 21 x 25 cm)

Product Dimensions

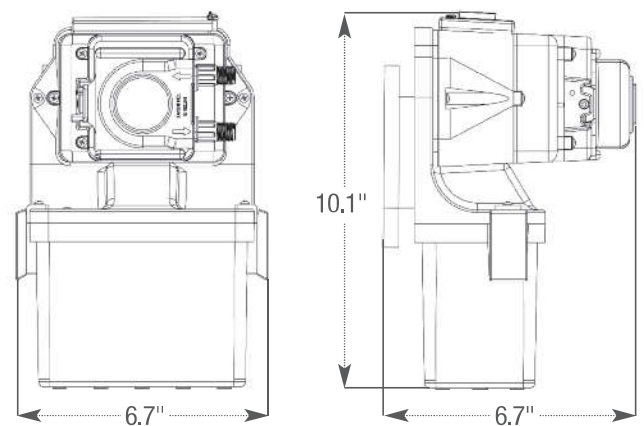


ECON TD Battery-Powered

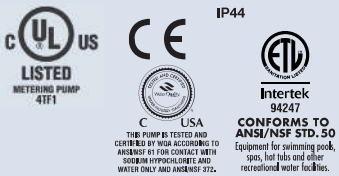

Shipping Weight 5 lbs (2.1 kg)

Box Dimensions 14 x 9 x 10 in. (36 x 23 x 24 cm)

Product Dimensions



ECON T and TD SERIES

	ECON T	ECON TD Electric	ECON TD Battery
Specifications			
Flow Rate Output Control	Programmable 24 hr clock, 7 day, 24 event timer	Programmable 24 hr clock, 7 day, 24 event timer	Programmable 24 hr clock, 7 day, 24 event timer
Reproducibility	±5%	±15%	Varies depending on battery quality and strength
Max. Working Pressure	25 psi (1.7 bar), 80 psi (5.5 bar)	5 psi (0.34 bar)	5 psi (0.34 bar)
Max. Operating Temperature	104°F (40°C)	104°F (40°C)	104°F (40°C)
Max. Suction Lift	25 ft (7.6 m) vertical lift, based on water	5 ft (1.5 m) vertical lift, based on water	5 ft (1.5 m) vertical lift, based on water
Duty Cycle	Continuous	Continuous	Intermittent
External Power Supply	100-120VAC, 60Hz or 220-240VAC, 50Hz	100-120VAC, 60Hz or 220-240VAC, 50Hz	8 D cell (1.2V-1.5V) or 2 6V lantern (not included)
Power Cord Plug End	Wall adapter, Class II power supply: 100-120V 60Hz: 1.0A maximum input, two prong, polarized 24VDC, 1.25A output or 220-240V 50Hz: 1.0A maximum input, two prong, CEE7 style plug 24VDC 1.87A output	Wall adapter, Class II power supply: 100-120V 60Hz: 1.0A maximum input, two prong, polarized 24VDC, 1.25A output or 220-240V 50Hz: 1.0A maximum input, two prong, CEE7 style plug 24VDC 1.87A output	—————
Power Cord Type	120V 60Hz, 240V 50Hz: STP-2W	120V 60Hz, 240V 50Hz: STP-2W	—————
Motor Type	24VDC, brushed	24VDC, brushed	Proprietary
Motor Voltage (Amp Draw)	120V 60Hz (0.17), 240V 50Hz (0.17)	120V 60Hz (0.17), 240V 50Hz (0.17)	—————
Shaft rpm (average maximum)	9, 18 or 40	8, 18, 25 or 40	Varies depending on battery quality and strength
Classification	Indoor/outdoor	Indoor only	Indoor only
Materials of Construction			
Pump Tube	Santoprene®	FKM	FKM or Silicone
Check Valve Duckbill	Santoprene®, FDA approved	—————	—————
Suction Line Weight	Strainer & Cap PVC or Polypropylene, NSF listed, with Ceramic Weight	Ceramic Weight with 1/4" Clip PVC, NSF listed	Ceramic Weight with 1/4" Clip PVC, NSF listed
Housings	Polycarbonate	Polycarbonate	Polycarbonate
Pump Head Rollers	Polyethylene	Polyethylene	Polyethylene
Suction/Discharge Tubing and Ferrules	Polyethylene, FDA approved	Polyethylene, FDA approved	Polyethylene, FDA approved
Tube and Injection Fittings	PVC or Polypropylene, NSF listed	PVC or Polypropylene, NSF listed	PVC or Polypropylene, NSF listed
Connecting Nuts	PVC, NSF listed	PVC, NSF listed	PVC, NSF listed
All Fasteners	Stainless steel	Stainless steel	Stainless steel
Agency Listings			
	 <p>Listings vary by model 25 psi models tested and certified by Intertek to Standard ANSI/NSF 50, Equipment for Swimming Pools, Spas, Hot Tubs, and Other Recreational Water Facilities.</p>		—————

ECON T - Flow Rate Output Chart **25 psi (1.7 bar) maximum**

Item Number Prefix	Pump Tube	Roller Assembly	Gallons per Day	Gallons per Hour	Ounces per Hour	Ounces per Minute	Liters per Day	Liters per Hour	Milliliters per Hour	Milliliters per Minute
E10T1A	A	White	2.5	0.10	13.2	0.22	9.5	0.39	396.0	6.60
E10T2A	A	White	5.0	0.21	26.4	0.44	18.9	0.79	786.0	13.10
E10T2B	B	White	8.5	0.35	45.6	0.76	32.2	1.34	1338.0	22.30
E10T2C	C	White	15.0	0.63	79.8	1.33	56.8	2.37	2364.0	39.40

Approximate Maximum Output @ 50/60Hz

ECON T - Flow Rate Output Chart **80 psi (5.5 bar) maximum**

Item Number Prefix	Pump Tube	Roller Assembly	Gallons per Day	Gallons per Hour	Ounces per Hour	Ounces per Minute	Liters per Day	Liters per Hour	Milliliters per Hour	Milliliters per Minute
E10T1F	F	White	0.6	0.02	3.0	0.05	2.2	0.09	90.0	1.50
E10T2F	F	White	1.3	0.05	6.6	0.11	4.8	0.20	198.0	3.30
E20T4F	F	White	3.4	0.14	18.0	0.30	13.1	0.54	544.8	9.08
E20T4G	G	Black	12.3	0.51	65.4	1.09	46.5	1.94	1937.4	32.29
E20T4H	H	Black	21.7	0.90	115.2	1.92	82.0	3.41	3416.4	56.94

Approximate Maximum Output @ 50/60Hz

NOTE: Injection check valve included with pumps rated 80 psi (5.5 bar) maximum.

NOTICE: The information within these charts is solely intended for use as a guide. The output data is an approximation based on pumping water under a controlled testing environment. Many variables can affect the output of the pump. Stenner Pump Company recommends that all metering pumps undergo field calibration by means of analytical testing to confirm their outputs.

Item Number Builder

<div style="border: 1px solid black; padding: 2px; width: 20px; height: 20px; background-color: #e0e0e0;"></div> <div style="border: 1px solid black; padding: 2px; width: 20px; height: 20px; background-color: #e0e0e0;"></div> <div style="border: 1px solid black; padding: 2px; width: 20px; height: 20px; background-color: #e0e0e0;"></div> <div style="border: 1px solid black; padding: 2px; width: 20px; height: 20px; background-color: #e0e0e0;"></div> <div style="border: 1px solid black; padding: 2px; width: 20px; height: 20px; background-color: #e0e0e0;"></div> <div style="border: 1px solid black; padding: 2px; width: 20px; height: 20px; background-color: #e0e0e0;"></div> <div style="border: 1px solid black; padding: 2px; width: 20px; height: 20px; background-color: #e0e0e0;"></div> <div style="border: 1px solid black; padding: 2px; width: 20px; height: 20px; background-color: #e0e0e0;"></div> <div style="border: 1px solid black; padding: 2px; width: 20px; height: 20px; background-color: #e0e0e0;"></div> <div style="border: 1px solid black; padding: 2px; width: 20px; height: 20px; background-color: #e0e0e0;"></div> <div style="border: 1px solid black; padding: 2px; width: 20px; height: 20px; background-color: #e0e0e0;"></div> <div style="border: 1px solid black; padding: 2px; width: 20px; height: 20px; background-color: #e0e0e0;"></div> <div style="border: 1px solid black; padding: 2px; width: 20px; height: 20px; background-color: #e0e0e0;"></div> <div style="border: 1px solid black; padding: 2px; width: 20px; height: 20px; background-color: #e0e0e0;"></div> <div style="border: 1px solid black; padding: 2px; width: 20px; height: 20px; background-color: #e0e0e0;"></div> <div style="border: 1px solid black; padding: 2px; width: 20px; height: 20px; background-color: #e0e0e0;"></div> <div style="border: 1px solid black; padding: 2px; width: 20px; height: 20px; background-color: #e0e0e0;"></div> <div style="border: 1px solid black; padding: 2px; width: 20px; height: 20px; background-color: #e0e0e0;"></div> <div style="border: 1px solid black; padding: 2px; width: 20px; height: 20px; background-color: #e0e0e0;"></div> <div style="border: 1px solid black; padding: 2px; width: 20px; height: 20px; background-color: #e0e0e0;"></div> <div style="border: 1px solid black; padding: 2px; width: 20px; height: 20px; background-color: #e0e0e0;"></div> <div style="border: 1px solid black; padding: 2px; width: 20px; height: 20px; background-color: #e0e0e0;"></div> <div style="border: 1px solid black; padding: 2px; width: 20px; height: 20px; background-color: #e0e0e0;"></div> <div style="border: 1px solid black; padding: 2px; width: 20px; height: 20px; background-color: #e0e0e0;"></div> <div style="border: 1px solid black; padding: 2px; width: 20px; height: 20px; background-color: #e0e0e0;"></div> <div style="border: 1px solid black; padding: 2px; width: 20px; height: 20px; background-color: #e0e0e0;"></div> <div style="border: 1px solid black; padding: 2px; width: 20px; height: 20px; background-color: #e0e0e0;"></div> <div style="border: 1px solid black; padding: 2px; width: 20px; height: 20px; background-color: #e0e0e0;"></div> <div style="border: 1px solid black; padding: 2px; width: 20px; height: 20px; background-color: #e0e0e0;"></div> <div style="border: 1px solid black; padding: 2px; width: 20px; height: 20px; background-color: #e0e0e0;"></div> <div style="border: 1px solid black; padding: 2px; width: 20px; height: 20px; background-color: #e0e0e0;"></div> <div style="border: 1px solid black; padding: 2px; width: 20px; height: 20px; background-color: #e0e0e0;"></div> <div style="border: 1px solid black; padding: 2px; width: 20px; height: 20px; background-color: #e0e0e0;"></div> <div style="border: 1px solid black; padding: 2px; width: 20px; height: 20px; background-color: #e0e0e0;"></div>	<div style="border: 1px solid black; padding: 2px; width: 20px; height: 20px; background-color: #e0e0e0;"></div> <div style="border: 1px solid black; padding: 2px; width: 20px; height: 20px; background-color: #e0e0e0;"></div> <div style="border: 1px solid black; padding: 2px; width: 20px; height: 20px; background-color: #e0e0e0;"></div> <div style="border: 1px solid black; padding: 2px; width: 20px; height: 20px; background-color: #e0e0e0;"></div> <div style="border: 1px solid black; padding: 2px; width: 20px; height: 20px; background-color: #e0e0e0;"></div> <div style="border: 1px solid black; padding: 2px; width: 20px; height: 20px; background-color: #e0e0e0;"></div> <div style="border: 1px solid black; padding: 2px; width: 20px; height: 20px; background-color: #e0e0e0;"></div> <div style="border: 1px solid black; padding: 2px; width: 20px; height: 20px; background-color: #e0e0e0;"></div> <div style="border: 1px solid black; padding: 2px; width: 20px; height: 20px; background-color: #e0e0e0;"></div> <div style="border: 1px solid black; padding: 2px; width: 20px; height: 20px; background-color: #e0e0e0;"></div> <div style="border: 1px solid black; padding: 2px; width: 20px; height: 20px; background-color: #e0e0e0;"></div> <div style="border: 1px solid black; padding: 2px; width: 20px; height: 20px; background-color: #e0e0e0;"></div> <div style="border: 1px solid black; padding: 2px; width: 20px; height: 20px; background-color: #e0e0e0;"></div> <div style="border: 1px solid black; padding: 2px; width: 20px; height: 20px; background-color: #e0e0e0;"></div> <div style="border: 1px solid black; padding: 2px; width: 20px; height: 20px; background-color: #e0e0e0;"></div> <div style="border: 1px solid black; padding: 2px; width: 20px; height: 20px; background-color: #e0e0e0;"></div> <div style="border: 1px solid black; padding: 2px; width: 20px; height: 20px; background-color: #e0e0e0;"></div> <div style="border: 1px solid black; padding: 2px; width: 20px; height: 20px; background-color: #e0e0e0;"></div> <div style="border: 1px solid black; padding: 2px; width: 20px; height: 20px; background-color: #e0e0e0;"></div> <div style="border: 1px solid black; padding: 2px; width: 20px; height: 20px; background-color: #e0e0e0;"></div> <div style="border: 1px solid black; padding: 2px; width: 20px; height: 20px; background-color: #e0e0e0;"></div> <div style="border: 1px solid black; padding: 2px; width: 20px; height: 20px; background-color: #e0e0e0;"></div> <div style="border: 1px solid black; padding: 2px; width: 20px; height: 20px; background-color: #e0e0e0;"></div> <div style="border: 1px solid black; padding: 2px; width: 20px; height: 20px; background-color: #e0e0e0;"></div> <div style="border: 1px solid black; padding: 2px; width: 20px; height: 20px; background-color: #e0e0e0;"></div>	<div style="border: 1px solid black; padding: 2px; width: 20px; height: 20px; background-color: #e0e0e0;"></div> <div style="border: 1px solid black; padding: 2px; width: 20px; height: 20px; background-color: #e0e0e0;"></div> <div style="border: 1px solid black; padding: 2px; width: 20px; height: 20px; background-color: #e0e0e0;"></div> <div style="border: 1px solid black; padding: 2px; width: 20px; height: 20px; background-color: #e0e0e0;"></div> <div style="border: 1px solid black; padding: 2px; width: 20px; height: 20px; background-color: #e0e0e0;"></div> <div style="border: 1px solid black; padding: 2px; width: 20px; height: 20px; background-color: #e0e0e0;"></div> <div style="border: 1px solid black; padding: 2px; width: 20px; height: 20px; background-color: #e0e0e0;"></div> <div style="border: 1px solid black; padding: 2px; width: 20px; height: 20px; background-color: #e0e0e0;"></div> <div style="border: 1px solid black; padding: 2px; width: 20px; height: 20px; background-color: #e0e0e0;"></div> <div style="border: 1px solid black; padding: 2px; width: 20px; height: 20px; background-color: #e0e0e0;"></div> <div style="border: 1px solid black; padding: 2px; width: 20px; height: 20px; background-color: #e0e0e0;"></div> <div style="border: 1px solid black; padding: 2px; width: 20px; height: 20px; background-color: #e0e0e0;"></div> <div style="border: 1px solid black; padding: 2px; width: 20px; height: 20px; background-color: #e0e0e0;"></div> <div style="border: 1px solid black; padding: 2px; width: 20px; height: 20px; background-color: #e0e0e0;"></div> <div style="border: 1px solid black; padding: 2px; width: 20px; height: 20px; background-color: #e0e0e0;"></div> <div style="border: 1px solid black; padding: 2px; width: 20px; height: 20px; background-color: #e0e0e0;"></div> <div style="border: 1px solid black; padding: 2px; width: 20px; height: 20px; background-color: #e0e0e0;"></div> <div style="border: 1px solid black; padding: 2px; width: 20px; height: 20px; background-color: #e0e0e0;"></div> <div style="border: 1px solid black; padding: 2px; width: 20px; height: 20px; background-color: #e0e0e0;"></div> <div style="border: 1px solid black; padding: 2px; width: 20px; height: 20px; background-color: #e0e0e0;"></div> <div style="border: 1px solid black; padding: 2px; width: 20px; height: 20px; background-color: #e0e0e0;"></div> <div style="border: 1px solid black; padding: 2px; width: 20px; height: 20px; background-color: #e0e0e0;"></div> <div style="border: 1px solid black; padding: 2px; width: 20px; height: 20px; background-color: #e0e0e0;"></div>	<div style="border: 1px solid black; padding: 2px; width: 20px; height: 20px; background-color: #e0e0e0;"></div> <div style="border: 1px solid black; padding: 2px; width: 20px; height: 20px; background-color: #e0e0e0;"></div> <div style="border: 1px solid black; padding: 2px; width: 20px; height: 20px; background-color: #e0e0e0;"></div> <div style="border: 1px solid black; padding: 2px; width: 20px; height: 20px; background-color: #e0e0e0;"></div> <div style="border: 1px solid black; padding: 2px; width: 20px; height: 20px; background-color: #e0e0e0;"></div> <div style="border: 1px solid black; padding: 2px; width: 20px; height: 20px; background-color: #e0e0e0;"></div> <div style="border: 1px solid black; padding: 2px; width: 20px; height: 20px; background-color: #e0e0e0;"></div> <div style="border: 1px solid black; padding: 2px; width: 20px; height: 20px; background-color: #e0e0e0;"></div> <div style="border: 1px solid black; padding: 2px; width: 20px; height: 20px; background-color: #e0e0e0;"></div> <div style="border: 1px solid black; padding: 2px; width: 20px; height: 20px; background-color: #e0e0e0;"></div> <div style="border: 1px solid black; padding: 2px; width: 20px; height: 20px; background-color: #e0e0e0;"></div> <div style="border: 1px solid black; padding: 2px; width: 20px; height: 20px; background-color: #e0e0e0;"></div> <div style="border: 1px solid black; padding: 2px; width: 20px; height: 20px; background-color: #e0e0e0;"></div> <div style="border: 1px solid black; padding: 2px; width: 20px; height: 20px; background-color: #e0e0e0;"></div> <div style="border: 1px solid black; padding: 2px; width: 20px; height: 20px; background-color: #e0e0e0;"></div> <div style="border: 1px solid black; padding: 2px; width: 20px; height: 20px; background-color: #e0e0e0;"></div> <div style="border: 1px solid black; padding: 2px; width: 20px; height: 20px; background-color: #e0e0e0;"></div> <div style="border: 1px solid black; padding: 2px; width: 20px; height: 20px; background-color: #e0e0e0;"></div> <div style="border: 1px solid black; padding: 2px; width: 20px; height: 20px; background-color: #e0e0e0;"></div> <div style="border: 1px solid black; padding: 2px; width: 20px; height: 20px; background-color: #e0e0e0;"></div> <div style="border: 1px solid black; padding: 2px; width: 20px; height: 20px; background-color: #e0e0e0;"></div> <div style="border: 1px solid black; padding: 2px; width: 20px; height: 20px; background-color: #e0e0e0;"></div>
---------------------------------------------------------------------------------------------------------------------------------------------------------------------------------------------------------------------------------------------------------------------------------------------------------------------------------------------------------------------------------------------------------------------------------------------------------------------------------------------------------------------------------------------------------------------------------------------------------------------------------------------------------------------------------------------------------------------------------------------------------------------------------------------------------------------------------------------------------------------------------------------------------------------------------------------------------------------------------------------------------------------------------------------------------------------------------------------------------------------------------------------------------------------------------------------------------------------------------------------------------------------------------------------------------------------------------------------------------------------------------------------------------------------------------------------------------------------------------------------------------------------------------------------------------------------------------------------------------------------------------------------------------------------------------------------------------------------------------------------------------------------------------------------------------------------------------------------------------------------------------------------------------------------------------------------------------------------------------------------------------------------------------------------------------------------------------------------------------------------------------------------------------------------------------------------------------------------------------------------------------------------------------------------------------------------------------------------------------------------------------------------------------------------------------------------------------------------------------------------------------------------------------------------------------------------------------------------------------------------------------------------------------------------------------------------------------------------------------------------------------------------------------------------------------------------------------------------------------------------------------------------------------------------------------------------------------------------------------------------------------------------------------------------------------------------------------------------------------------------------------------------------------------------------------------------------------------------------------------------------------------------------------------------------------------------------------------------------------------------------------------------------------------------------------------------------------------------------------------------------------------------------------------------------------------------------------------------------------------------------------------------------------------------------------------------------------------------------------------------------------------------------------------------------------------------------------------------------------------------------------------------------------------------------------------------------------------------------------------------------	------------------------------------------------------------------------------------------------------------------------------------------------------------------------------------------------------------------------------------------------------------------------------------------------------------------------------------------------------------------------------------------------------------------------------------------------------------------------------------------------------------------------------------------------------------------------------------------------------------------------------------------------------------------------------------------------------------------------------------------------------------------------------------------------------------------------------------------------------------------------------------------------------------------------------------------------------------------------------------------------------------------------------------------------------------------------------------------------------------------------------------------------------------------------------------------------------------------------------------------------------------------------------------------------------------------------------------------------------------------------------------------------------------------------------------------------------------------------------------------------------------------------------------------------------------------------------------------------------------------------------------------------------------------------------------------------------------------------------------------------------------------------------------------------------------------------------------------------------------------------------------------------------------------------------------------------------------------------------------------------------------------------------------------------------------------------------------------------------------------------------------------------------------------------------------------------------------------------------------------------------------------------------------------------------------------------------------------------------------------------------------------------------------------------------------------------------------------------------------------------------------------------------------------------------------------------------------------------------------------------------------------------------------------------------------------------------------------------------------------------------------------------------------------------------------------------------------------------------------------------------------------------------------------------------------------	--------------------------------------------------------------------------------------------------------------------------------------------------------------------------------------------------------------------------------------------------------------------------------------------------------------------------------------------------------------------------------------------------------------------------------------------------------------------------------------------------------------------------------------------------------------------------------------------------------------------------------------------------------------------------------------------------------------------------------------------------------------------------------------------------------------------------------------------------------------------------------------------------------------------------------------------------------------------------------------------------------------------------------------------------------------------------------------------------------------------------------------------------------------------------------------------------------------------------------------------------------------------------------------------------------------------------------------------------------------------------------------------------------------------------------------------------------------------------------------------------------------------------------------------------------------------------------------------------------------------------------------------------------------------------------------------------------------------------------------------------------------------------------------------------------------------------------------------------------------------------------------------------------------------------------------------------------------------------------------------------------------------------------------------------------------------------------------------------------------------------------------------------------------------------------------------------------------------------------------------------------------------------------------------------------------------------------------------------------------------------------------------------------------------------------------------------------------------------------------------------------------------------------------------------------------------------------------------------------------------------------------------------------------------------------------------------------	---------------------------------------------------------------------------------------------------------------------------------------------------------------------------------------------------------------------------------------------------------------------------------------------------------------------------------------------------------------------------------------------------------------------------------------------------------------------------------------------------------------------------------------------------------------------------------------------------------------------------------------------------------------------------------------------------------------------------------------------------------------------------------------------------------------------------------------------------------------------------------------------------------------------------------------------------------------------------------------------------------------------------------------------------------------------------------------------------------------------------------------------------------------------------------------------------------------------------------------------------------------------------------------------------------------------------------------------------------------------------------------------------------------------------------------------------------------------------------------------------------------------------------------------------------------------------------------------------------------------------------------------------------------------------------------------------------------------------------------------------------------------------------------------------------------------------------------------------------------------------------------------------------------------------------------------------------------------------------------------------------------------------------------------------------------------------------------------------------------------------------------------------------------------------------------------------------------------------------------------------------------------------------------------------------------------------------------------------------------------------------------------------------------------------------------------------------------------------------------------------------------------------------------------------------------------------------------

How to build an Item Number

- Refer to above **Flow Rate Output Chart** to select a pump.
- Select the **Item Number Prefix** from the output chart.
- Select the remaining options to complete the item number.

ECON T and TD SERIES

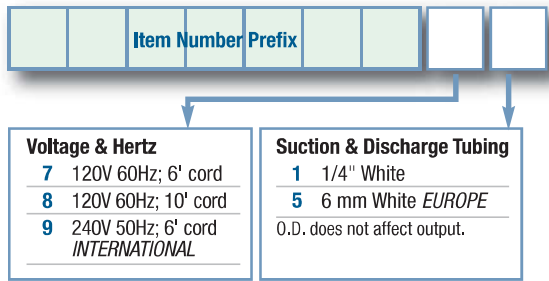
ECON TD - Flow Rate Output Chart 5 psi (0.34 bar) maximum

Item Number Prefix	Pump Tube	Roller Assembly	Gallons per Day	Gallons per Hour	Ounces per Hour	Ounces per Minute	Liters per Day	Liters per Hour	Milliliters per Hour	Milliliters per Minute
E20T1C3	C3	Black	9.10	0.38	48.7	0.81	34.6	1.44	1440.0	24.0
E20T2C3	C3	Black	17.10	0.71	91.2	1.52	64.7	2.70	2687.6	44.8
E20T3C3	C3	Black	23.20	0.97	123.7	2.06	87.8	3.66	3659.2	61.0
E20T4C3	C3	Black	35.76	1.49	190.7	3.18	135.4	5.64	5640.3	94.0

Approximate Maximum Output @ 50/60Hz

NOTICE: The information within this chart is solely intended for use as a guide. The output data is an approximation based on pumping water under a controlled testing environment. Many variables can affect the output of the pump. Stenner Pump Company recommends that all metering pumps undergo field calibration by means of analytical testing to confirm their outputs.

Item Number Builder



How to build an Item Number

1. Refer to above Flow Rate Output Chart to select a pump.
2. Select the Item Number Prefix from the output chart.
3. Select the remaining options to complete the item number.

ECON TD Battery-Powered - Flow Rate Output Chart 5 psi (0.34 bar) maximum

Item Number Prefix	Pump Tube	Roller Assembly	Gallons per Day	Gallons per Hour	Ounces per Hour	Ounces per Minute	Liters per Day	Liters per Hour	Milliliters per Hour	Milliliters per Minute
E10T01C3	C3	Blue	24.7	1.00	132.0	2.2	94.0	3.9	3904.0	65.0
E20T01C3	C3	Blue	41.7	1.74	222.0	3.7	158.0	6.6	6577.0	110.0
E10T01C4	C4	Blue	27.0	1.10	144.0	2.4	2.4	102.0	4.2	4259.0
E20T01C4	C4	Blue	45.0	1.88	240.0	4.0	4.0	170.0	7.1	7098.0

Approximate output with fully charged batteries, new tube and zero foot suction lift.

NOTICE: The information within this chart is solely intended for use as a guide. The output data is an approximation based on pumping water under a controlled testing environment. Many variables can affect the output of the pump. Stenner Pump Company recommends that all metering pumps undergo field calibration by means of analytical testing to confirm their outputs.

Item Number Builder

