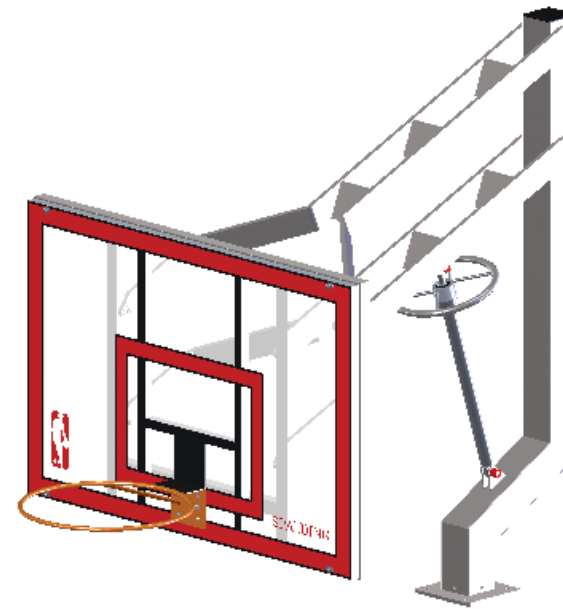
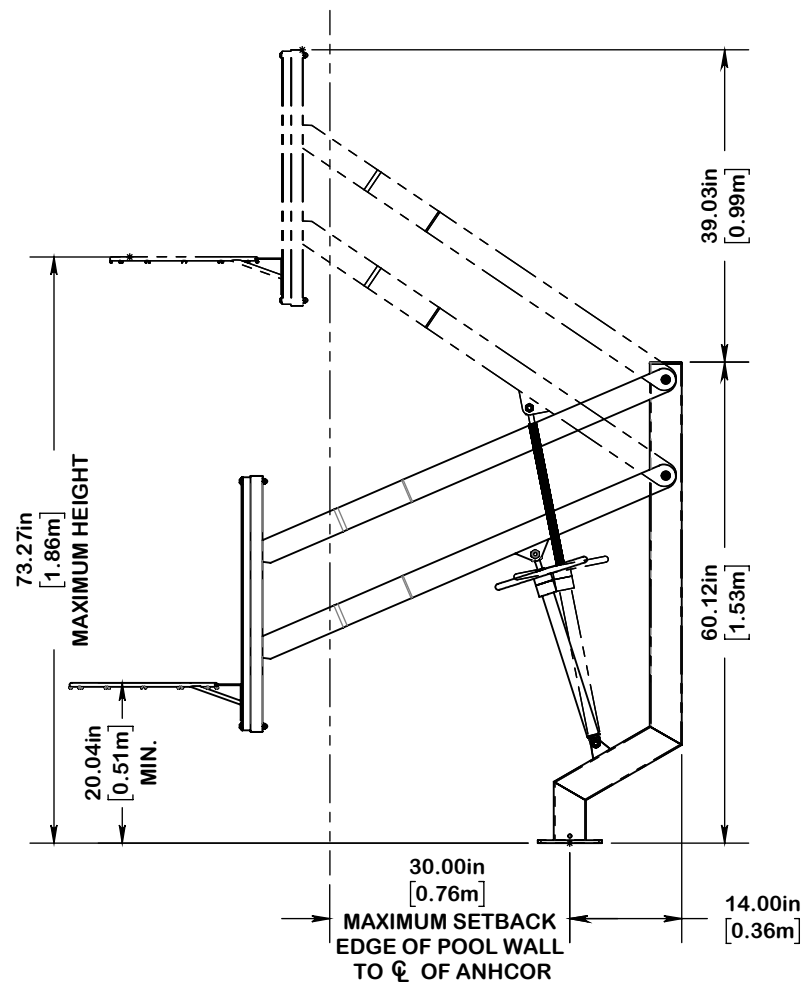


SECTION A-A
SCALE 1 : 4



Adjustable Basketball Goal, part number 133058.

Goal Mast Pole

The goal main support mast shall be constructed from 4"x4" 0.120 wall thickness 304L stainless steel. Mast anchoring plate shall be constructed from 3/8" 304L stainless steel plate. The mast pole shall have 1" OD reinforcing bushings positioned through the tube at the extension arm attachment positions to prevent excessive deformation and movement. The mast shall be fabricated using approved GMAW and GTAW processes.

Extension Arms

The goal extension arms shall be constructed of 3"x1/2" 304L stainless steel. Extension arms shall be precision bent to allow for backboard supports positioned on 23" centers, reducing the stress on the backboard frame elements.

Height Adjustment System

Goal shall have a compression height adjustment mechanism that is infinitely adjustable over a range of 50" range with and initial rim to water height of 24".

Backboard

36"x48" backboard shall be constructed of U.V. protected abrasion resistant 1/2" polycarbonate. Backboard shall be marked with a regulation border and target area. The backboard support frame shall be constructed from 1.5"x1.5" 304L stainless steel tubing using approved GTAW welding processes.

Rim

Goal shall include a regulation specification double static ring hoop. Hoop shall have a manufacturer unconditional lifetime warranty.

Hardware

All fasteners and other hardware shall be corrosion resistant 304 or higher alloy stainless steel. All extension arm pivot points shall be protected from steel on steel contact by chemical resistant plastic bushings.

Warranty

Standard Spectrum Standard warranty available at www.spectrumproducts.com



A PLAYCORE Company

7100 Spectrum Lane Missoula, Montana 59808
800.791.8056 www.spectrumaquatics.com

ENGINEERING DATA

PRODUCT:	ADJ. BASKETBALL HOOP -			
MODEL #:	133058	CATALOG #:	133058	REVISION: B
MATERIAL:	304L STAINLESS STEEL			
FINISH #:	PASSIVATE IAW ASTM A967			

NOTE:

△ DIMENSIONS VARY WITH SPECIFIC APPLICATIONS. SPECIFICATIONS ARE NOMINAL AND ARE SUBJECT TO CHANGE. PLEASE CONTACT SPECTRUM AQUATICS FOR CUSTOM APPLICATIONS