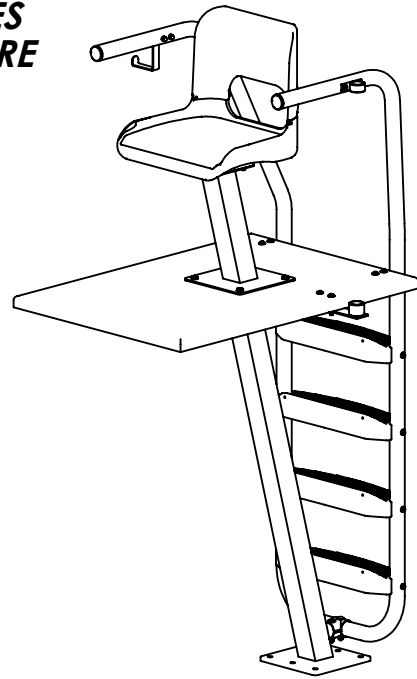
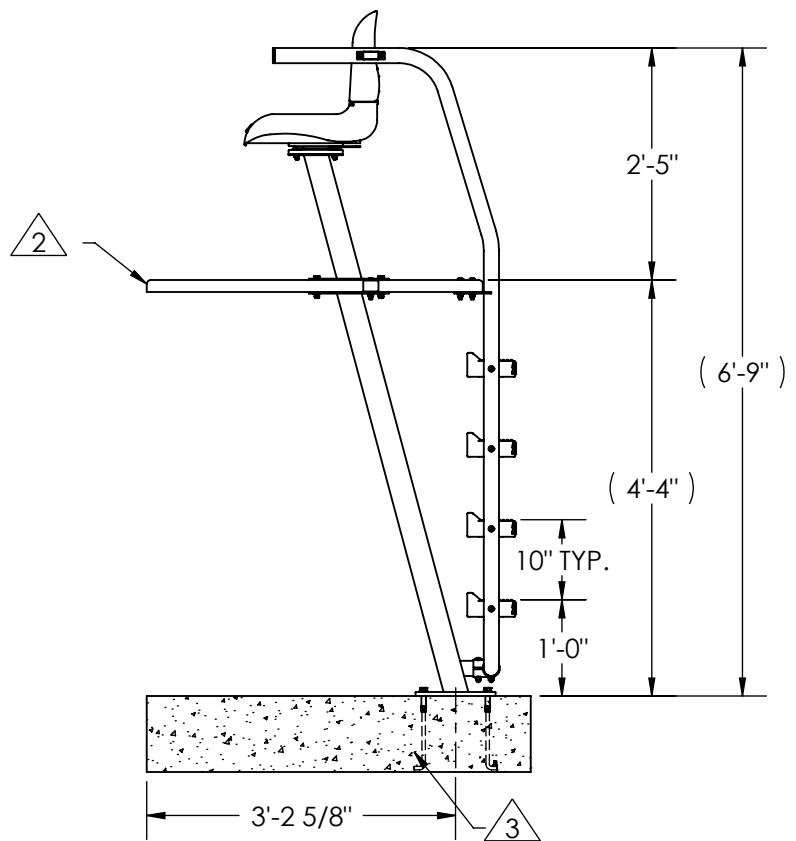
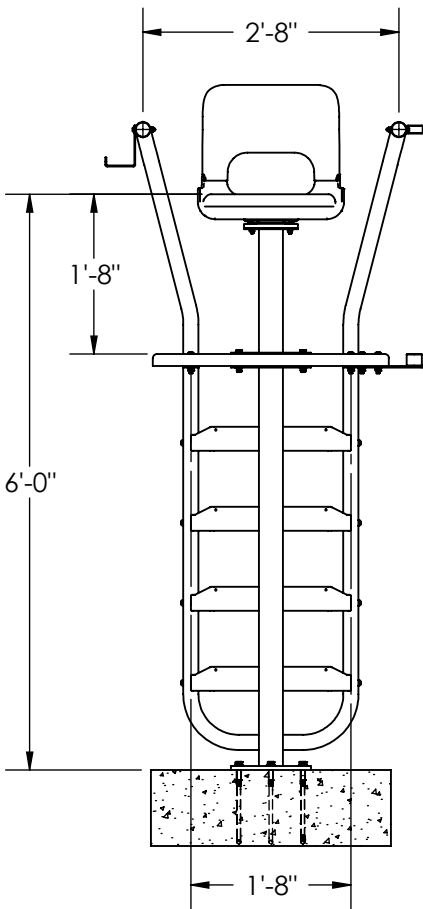


GUARDIAN SERIES MODEL - SAPPHIRE



NOTES:

- ① DIMENSIONS VARY WITH SPECIFIC APPLICATIONS.
- ② MATERIAL: FOOTBOARD 29 1/2"x42" COMPOSITE
- ③ SAPPHIRE ANCHOR NOT INCLUDED
SPECTRUM PRODUCTS CATALOG #20021-00



*Note: Specifications are nominal and are subject to change.
Please contact Spectrum Products for custom applications.

SPECTRUM
Products

7100 Spectrum Lane
Missoula, Montana 59808
406.542.9781 * 800.791.8056
Fax: 406.542.1158
www.spectrumproducts.com

ENGINEERING DATA

PRODUCT:	SAPPHIRE
PRODUCT #:	20085-00
REVISION:	B
MATERIAL:	1.90"x.065" 304 S.S. TUBE (UNS S30400)