

Hyalite Guard Chair

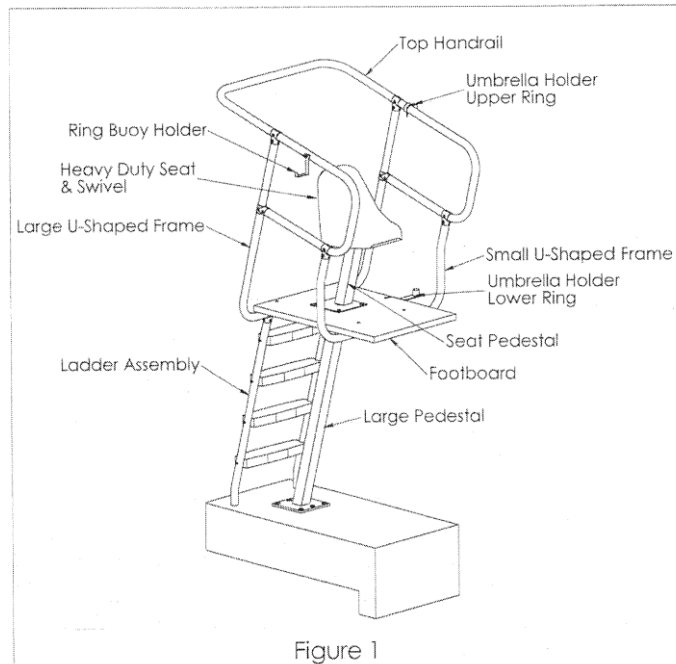
Unpacking and Inspection

Congratulations! You have just purchased one of the finest lifeguard stands available today. Providing that the unit is installed correctly and properly maintained, it will furnish you with many years of trouble free use. It is important to read this entire manual prior to beginning assembly or installation.

Each Hyalite Guard Chair shipment will arrive partially assembled and will consist of one pallet and one box. Before accepting the shipment from the carrier, inspect for visible damage and/or match the contents with those listed below.

Pallet: (1) Ladder Assembly
(1) Footboard
(1) Large Pedestal with Anchor, (Anchor Optional)
(1) Top Handrail
(1) Large U-Shaped Frame
(1) Small U-Shaped Frame

Box: (1) Heavy Duty Seat
(1) Seat Pedestal
(1) Swivel
(1) Hardware Package
(1) Ring Buoy Holder
(1) Upper Umbrella Ring
(1) Lower Umbrella Ring
(2) 4" Bronze Wedge Anchors (Optional)



Step 1: Attach the large pedestal to the permanent guard chair anchor installed in the concrete deck as shown in figure 2.

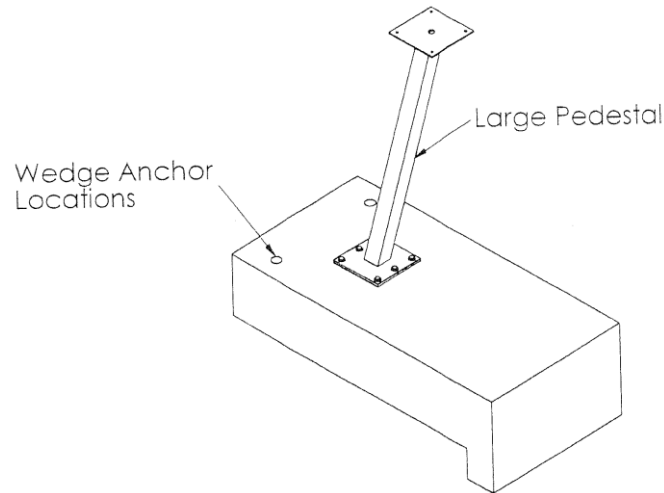


Figure 2

Step 2: Assemble the upper frame assembly as shown in figure 3. Use split-tees, 3/8"x2 3/4" carriage bolts, 3/8" lock washer, 3/8" flat washer and 3/8" acorn nuts. Slide the upper umbrella holder over the right side of the upper handrail before bolting the frame together. Hold the upper umbrella holder in place with one 5/16"x 1/2" Hex head bolt.

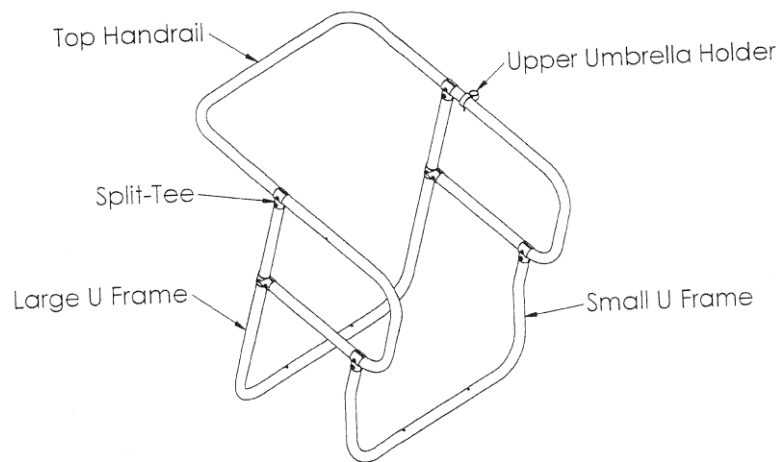


Figure 3

Step 3: Attach the footboard to the upper frame assembly using four 3/8"x4 1/2" button head bolts, nylon spacers, 3/8" flat washer, 3/8" lock washer, and 3/8" acorn nuts as shown in figure 4.

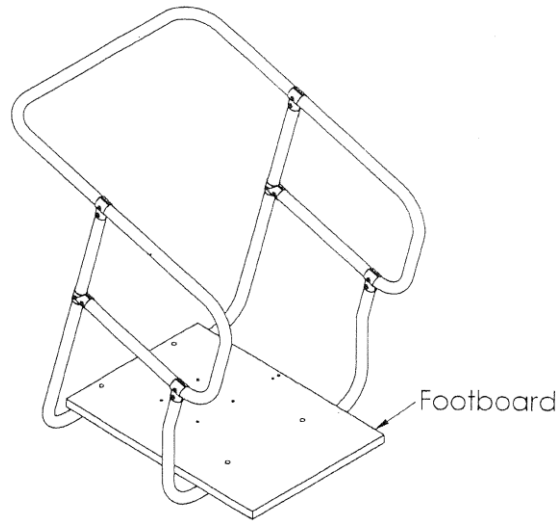


Figure 4

Step 4: Place the upper frame assembly on the large pedestal. Attach the small pedestal through the footboard and the top plate on the large pedestal using four 3/8"x2 1/2" hex head bolts, flat washers, and 3/8" nylock nuts as shown in figure 5.

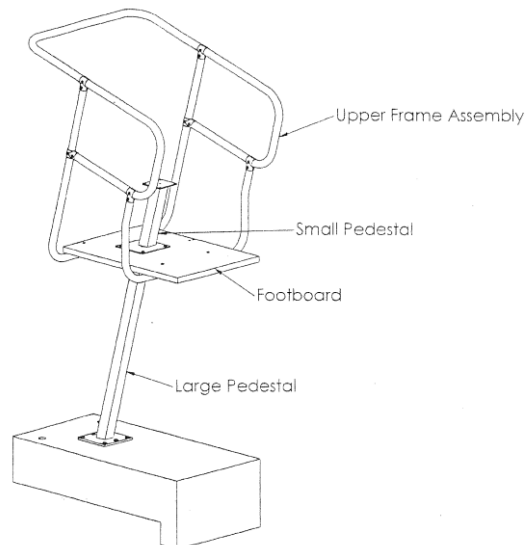


Figure 5

Step 5: Attach the ladder assembly to the upper frame assembly using split-tees, 3/8"x2 3/4" carriage bolts, 3/8" lock washer, and 3/8" acorn nuts as shown in figure 6.

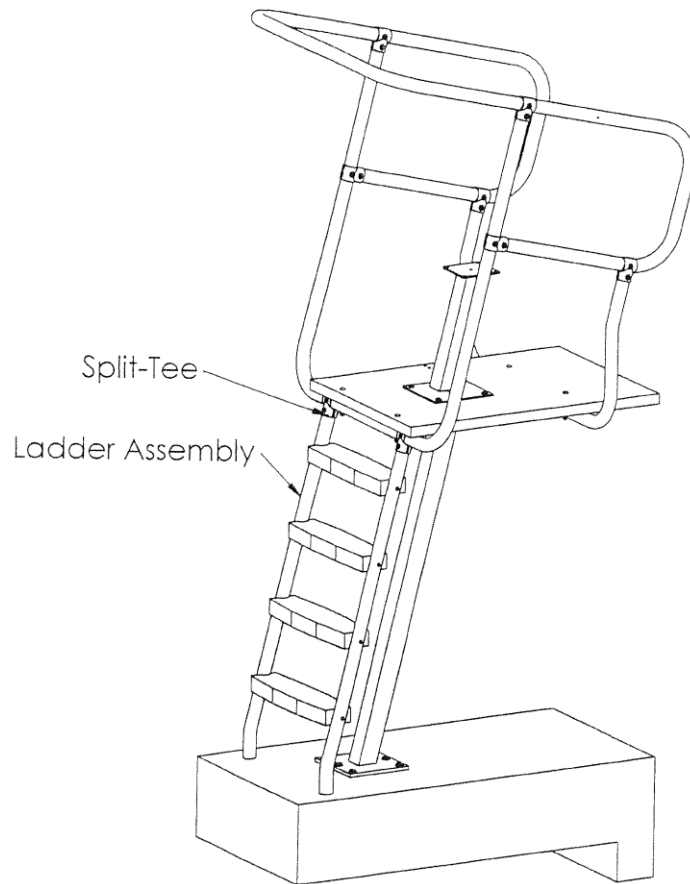


Figure 6

Step 6: Attach the lower umbrella holder to the footboard using two 3/8" x 2 1/2" button head bolts, 3/8" lock washer, 3/8" flat washers, and 3/8" hex nuts. Attach the swivel to the small pedestal using four 1/4" x 1 1/4" hex head bolts, 1/4" flat washers, and 1/4" nylock nuts. Attach the ring buoy holder to the left side of the upper handrail using one 3/8" x 2 1/2" button head bolt. See figure 7.

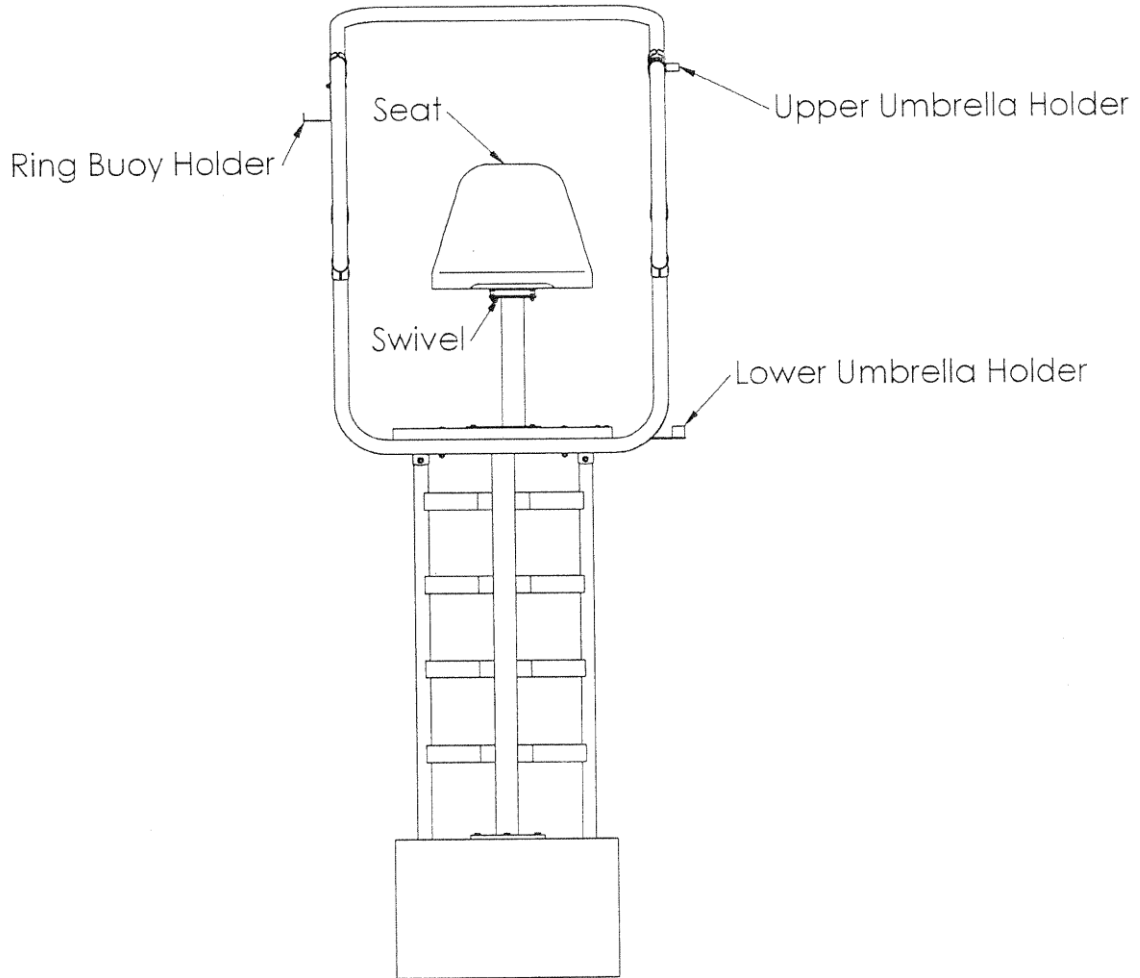


Figure 7