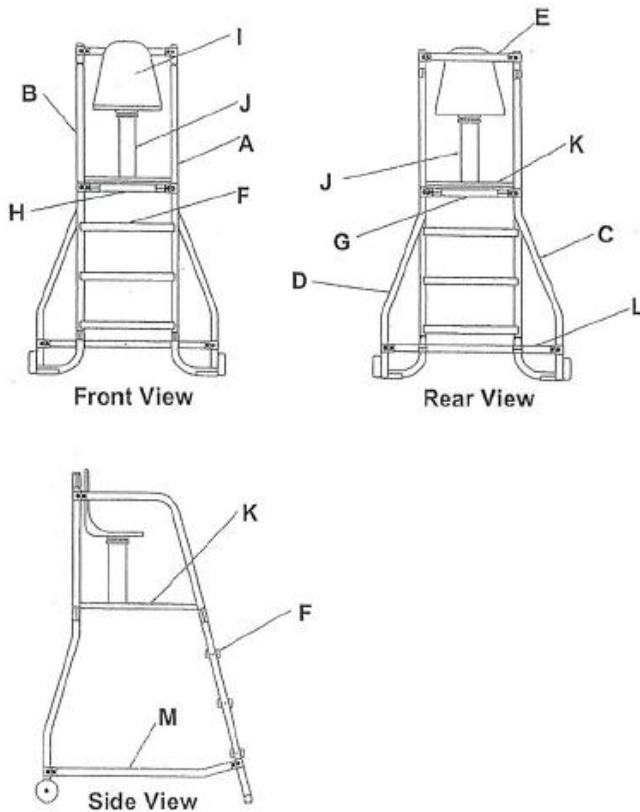


Discovery Guard Chair Assembly Instructions

To assemble your new Discovery Guard Chair may require an additional person to assist. Assembly time should only take roughly 1-2 hours depending on the assembler's experience. Take inventory of all parts to verify you have all the parts necessary to assemble before beginning.



	Description	Qty
A	Side Rail-Right	1
B	Side Rail-Left	1
C	Rear Support-Right	1
D	Rear Support-Left	1
E	Top Connector	1
F	Step Tread	*
G	Rear Platform Bar	1
H	Front Platform Bar	1
I	Seat	1
J	Seat Pedestal	1
K	Footboard	1
L	Rear Connector Bar	1
M	Side Connector Bar	2
	Split Tees w/Hardware	14
	Wheels	2
*	Step Treads for 6' Model	3
	Step Treads for 5' Model	2
	Step Treads for 4' Model	1

drawings while following the steps below.

STEP 1: Utilizing the Spilt Tees, secure the Side Rails (A) & (B) to the Front Platform Bar (H) as shown in the Front View Drawing.

STEP 2: Attach the Rear Support (D) to Side Rail (A) as shown in the Rear View Drawing.

STEP 3: Attach the Rear Support (C) to Side Rail (B) as shown in the Rear View Drawing.

STEP 4: Attach the Rear Connector (L) to the Rear Supports (C) and (D) as shown in the Rear View Drawing.

STEP 5: Slide on the two umbrella holders onto the rear support (C)

STEP 6: Attach the Top Connector (E) to the Rear Supports (C) and (D) as shown in the Rear View Drawing.

STEP 7: Attach one Side Connector (M) to the Side Rail (A) and the Rear Support (D) as shown in the Side View Drawing.

STEP 8: Attach the other Side Connector (M) to the Side Rail (B) and the Rear Support (C) as shown in the Side View Drawing.

STEP 9: Secure the Rear Platform Bar (G) between the Rear Supports (C) and (D) as shown in the Rear View.

STEP 10: Secure the Footboard (K) to the Front and Rear Platform Bars (H) and (G) respectively.

STEP 11: Attach the Pedestal (J) to the Footboard (K).

STEP 12: Secure the Seat (I) to the Pedestal (J).

STEP 13: Secure the Step Treads (F) to the Side Rails (A) & (B) using the supplied hardware.

STEP 14: Attach the ring buoy to the left side rail (B)