

**NEW**

# POOL LIFTS

## Aqua Buddy® V2 Portable Kit. Portable When You Need It, Compliant When It Counts.

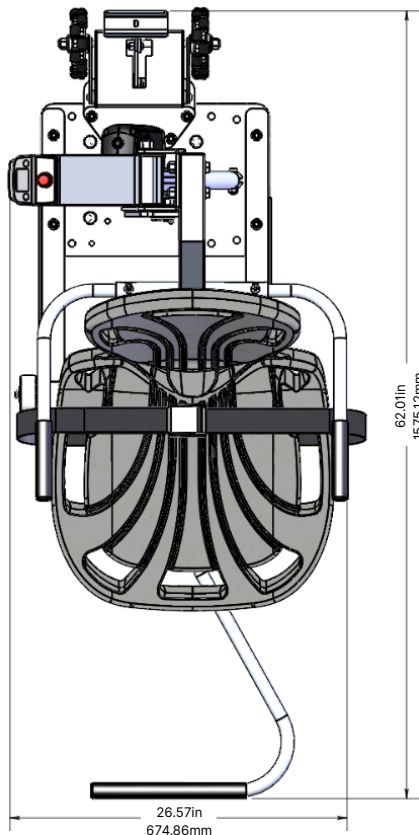
Introducing the Aqua Buddy® V2 Portable Kit. Built on the trusted performance of the Aqua Buddy® V2, now enhanced with full portability so you can position your lift when it's needed. UL Listed for national safety standards and made in the U.S.A. with durability you can trust, the Aqua Buddy® V2 Portable, the smartest, most compact, versatile portable ADA-compliant pool lift on the market.

- 5-inch Polyurethane, Omni-Directional Wheels for smooth, controlled movement
- Kit comes powder coated Arctic White to match the lift
- Existing pool decks will need to permanently install 4 ea. ½" Drop-in anchors (included)
- For new deck pours, we offer a cast-in-place anchor that precisely locates all lift anchor points, eliminating the need for drilling and epoxy-installed drop-in anchors.
- Kit includes all necessary hardware and anchoring to retrofit an existing Aqua Buddy V2 in the field.



## ADA-Compliant, Battery-Powered Pool Lifts

Product	Part #
Aqua Buddy® V2 Portable Pool Lift	266002
Aqua Buddy® V2 Portable Kit	266000
Aqua Buddy® V2 Anchor (for new pour concrete pool decks)	266001



Omni-Directional wheels for ease of movement

# POOL LIFTS

## Aqua Buddy 350 V2 Portable - 266002

The lift shall be designed for use on aboveground or in-ground swimming pools and/or spas and shall accommodate installation at a range of 9" - 23" from the pool wall to the centerline of the anchoring plate; with a maximum water draft measurement of 15". The lift shall be portable, user-operated, and battery powered - requiring no more than a 24-VDC, rechargeable and shall be rated for a 350 lb. load capacity. The lift shall be designed in accordance with all ADAAG guidelines.

The assisted access lift shall consist of the following components:

### Portable Assembly

The lift shall come equipped with the portable upgrade kit allowing for quick transportation to and from storage and points of use. The supplied hand knobs provide quick and easy installation/ removal for operation on the pool deck. The Omni-Directional wheels help facilitate smooth transportation of the entire unit when transporting from storage and points of use.

### Linear Actuator

The battery-powered ram shall bolt to the lift superstructure and shall have a maximum in push thrust of 16,000 N and a maximum in pull of 16,000 N. The driver shall be a permanent magnet motor, 24-VDC. The unit shall have built in limit switches.

### Operating Controls and Power Source

Wired Control handset must be operable from pool or deck and shall be designed for ease of use. Wired Control handset shall be of molded plastic, and be sealed to IP67 to prevent water damage. Control buttons for up and down directional control shall be provided. Lift control system shall be fitted with an emergency stop.

The power source is to be a 24-VDC rechargeable battery. A battery charger, wall current to charge, with mounting bracket and electrical power cord, for remote installation, will be provided with the lift.

### Lift Superstructure

The lifting arm shall be constructed of 4.00"x2.00" 304L powder coated rectangular stainless steel tubing with a 120" wall thickness. Other working components of the lift shall be constructed of 304L powder coated stainless steel plate or tubing. Standard powder coating color will be Arctic White.

### Seat Assembly

The seat shall be constructed of a 304L powder coated stainless steel frame attached to a polymer seat assembly. This assembly shall be attached to the lift superstructure by a 2.00"x2.00"x.120" 304L powder coated stainless steel square tube.

### Armrest

Each lift shall include (2) fold down armrests constructed of 1"x120" 304L powder coated stainless steel tube. Each armrest shall be provided with a 6" black vinyl covering.

### Footrest

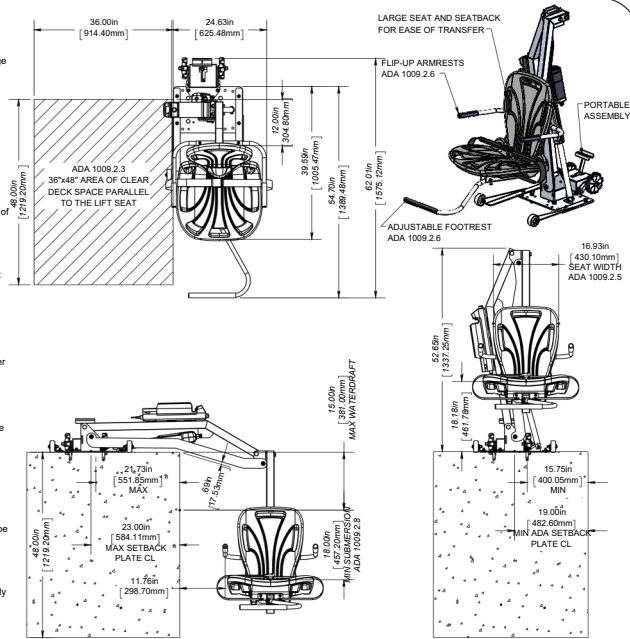
A vertically self-adjusting footrest constructed of 1"x120" 304L powder coated stainless steel tube is provided. A 12" vinyl covering shall be included with the footrest.

### UL Listed for Safety and Reliability

The AquaBuddy Lift is proudly UL Listed, ensuring it meets rigorous safety and performance standards. This certification reflects our commitment to delivering dependable, high-quality equipment that adheres to nationally recognized safety requirements. Trust AquaBuddy for secure and compliant lifting solutions.

### Warranty

Two year limited warranty.



**SPECTRUM AQUATICS**  
A PLAYCORE Company  
7100 Spectrum Lane Missoula, Montana 59808  
800.791.8056 www.spectrumaquatics.com

## ENGINEERING DATA

PRODUCT:	AQUABUDDY 350 V2 PORTABLE	REVISION:	
MODEL #:	266002		
MATERIAL:	SEE BOM		
FINISH #:	POWDER COAT WHITE		

### NOTE:

⚠️ DIMENSIONS VARY WITH SPECIFIC APPLICATIONS. SPECIFICATIONS ARE NOMINAL AND ARE SUBJECT TO CHANGE. PLEASE CONTACT SPECTRUM AQUATICS FOR CUSTOM APPLICATIONS



Thursday, May 7, 2026 12:15:23 PM

## Aqua Buddy 350 V2 Portable - 266002

THE AQUABUDDY PORTABLE CONVERSION KIT IS MEANT FOR USE IN AREAS WHERE LIFTS ARE NOT PERMANENTLY INSTALLED. THE KIT INCLUDES ALL NECESSARY HARDWARE FOR INSTALLATION ON EXISTING AQUABUDDY V2 (246001) AND IS POWDER COATED FOR DURABILITY.

### USE

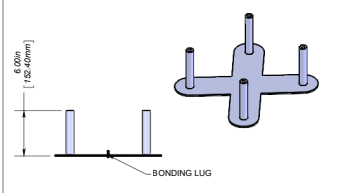
AFTER INSTALLATION OF THE PORTABLE ASSEMBLY TO THE AQUABUDDY, YOU CAN EASILY ROLL THE AQUABUDDY BETWEEN STORAGE AND ITS POINT OF USE BY SIMPLY STEPPING ON THE STEP LEVER AND PUSHING THE UNIT AROUND. THE UNIT IS INSTALLED WITH OMNI-DIRECTIONAL WHEELS AT THE BACK FOR EASE OF USE.

### ANCHORING

THE KIT INCLUDES 4 EA. 1/2" EPOXY ANCHORS THAT ARE TO BE INSTALLED AT THE DESIRED POINT OF USE OF THE LIFT. STAINLESS STEEL KNOBS ARE SUPPLIED FOR AFFIXING THE LIFT TO THESE ANCHORS DURING USE OF THE LIFT. AN OPTIONAL CAST IN ANCHOR (PIN 266011) FOR NEW DECK BUILDS IS ALSO AVAILABLE TO INSURE ALIGNMENT OF THE ANCHORS TO THE ANCHORING PLATE.

### CAST IN ANCHOR (PIN 266011)

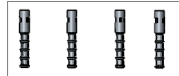
THE OPTIONAL CAST IN ANCHOR IS AVAILABLE FOR USE WHERE A NEW DECK IS BEING POURED. THE CAST IN ANCHOR REMOVES THE NECESSITY OF MANUALLY DRILLING AND GLUING THE INDIVIDUAL ANCHORS AND INCLUDES A BUILT IN 1/4"-20 BONDING LUG.



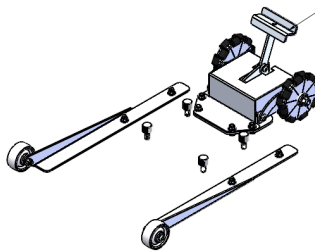
KNOB SCREWS FOR QUICKLY SECURING TO POOL DECK FOR OPERATION



EPOXY ANCHORS TO BE PERMANENTLY INSTALLED IN DECK AT POINT OF USE



LOCKING STEP LEVER FOR SETTING INTO TRANSPORTATION MODE



OMNI-DIRECTIONAL WHEELS FOR EASE OF MOVEMENT

**SPECTRUM AQUATICS**  
A PLAYCORE Company  
7100 Spectrum Lane Missoula, Montana 59808  
800.791.8056 www.spectrumaquatics.com

## ENGINEERING DATA

PRODUCT:	AQUABUDDY 2.0 PORTABLE CONVERSION KIT	REVISION:	
MODEL #:	266000		
MATERIAL:	STAINLESS STEEL		
FINISH #:	POWDER COAT WHITE		

### NOTE:

⚠️ DIMENSIONS VARY WITH SPECIFIC APPLICATIONS. SPECIFICATIONS ARE NOMINAL AND ARE SUBJECT TO CHANGE. PLEASE CONTACT SPECTRUM AQUATICS FOR CUSTOM APPLICATIONS

Wednesday, April 1, 2026 2:52:43 PM