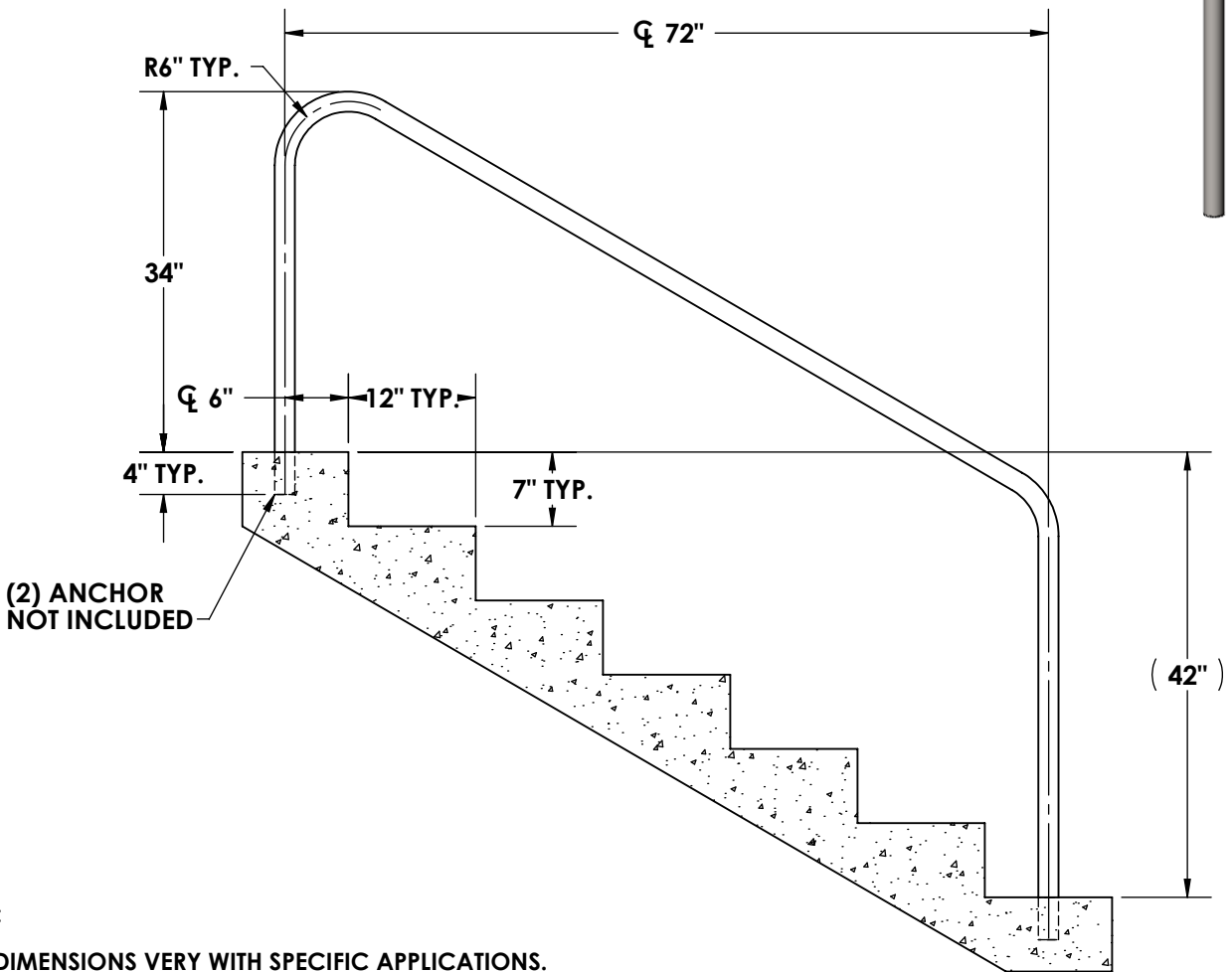
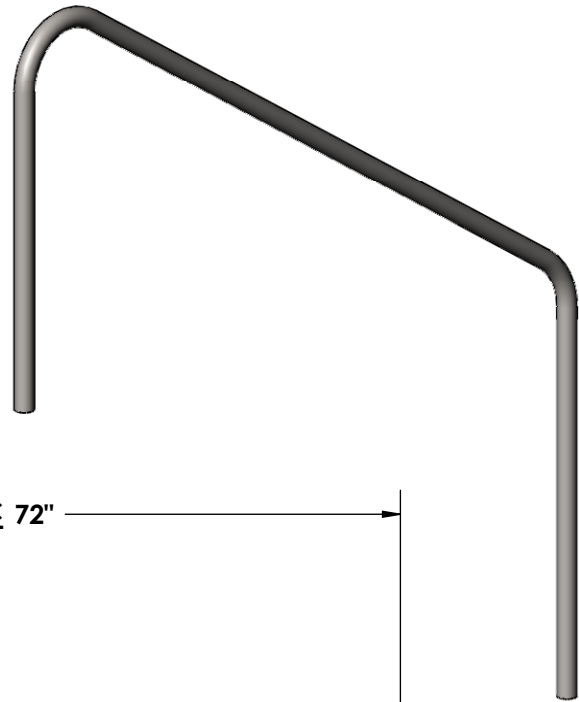


**HANDRAILS**  
**MODEL - 2 BEND STAIR RAIL 72"**



**NOTE:**

1 **DIMENSIONS VARY WITH SPECIFIC APPLICATIONS.**  
**SPECIFICATIONS ARE NOMINAL AND ARE SUBJECT TO CHANGE.**  
**PLEASE CONTACT SPECTUM AQUATICS FOR CUSTOM APPLICATIONS.**



7100 Spectrum Lane  
 Missoula, Montana 59808  
 406.542.9781 \* 800.791.8056  
 Fax: 406.542.1158  
 www.spectrumproducts.com

**ENGINEERING DATA**

PRODUCT:	2 BEND STAIR RAIL 72"
PRODUCT #:	35127-.145
REVISION:	A
MATERIAL:	300 SERIES STAINLESS STEEL