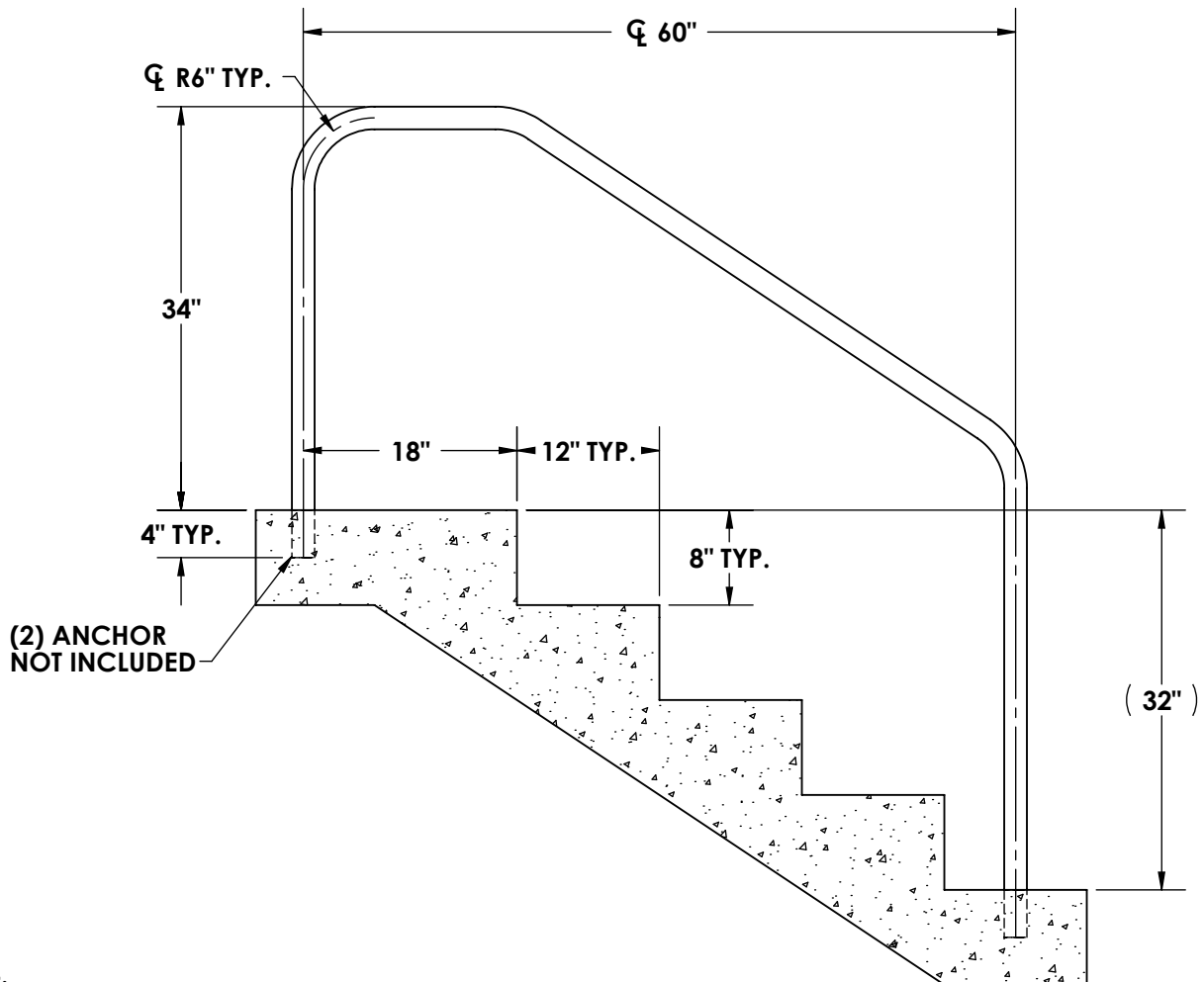
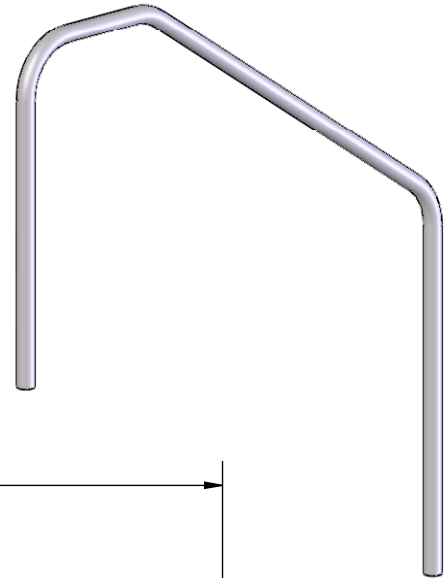


**HANDRAIL SERIES  
MODEL - 3 BEND STAIR RAIL 60"**



**NOTE:**

1 **DIMENSIONS VARY WITH SPECIFIC APPLICATIONS.**



7100 Spectrum Lane  
Missoula, Montana 59808  
406.542.9781 \* 800.791.8056  
Fax: 406.542.1158  
www.spectrumproducts.com

**ENGINEERING DATA**

PRODUCT:	3 BEND STAIR RAIL 60"
PRODUCT #:	35011-.145
REVISION:	A
MATERIAL:	300 SERIES STAINLESSS STEEL TUBE