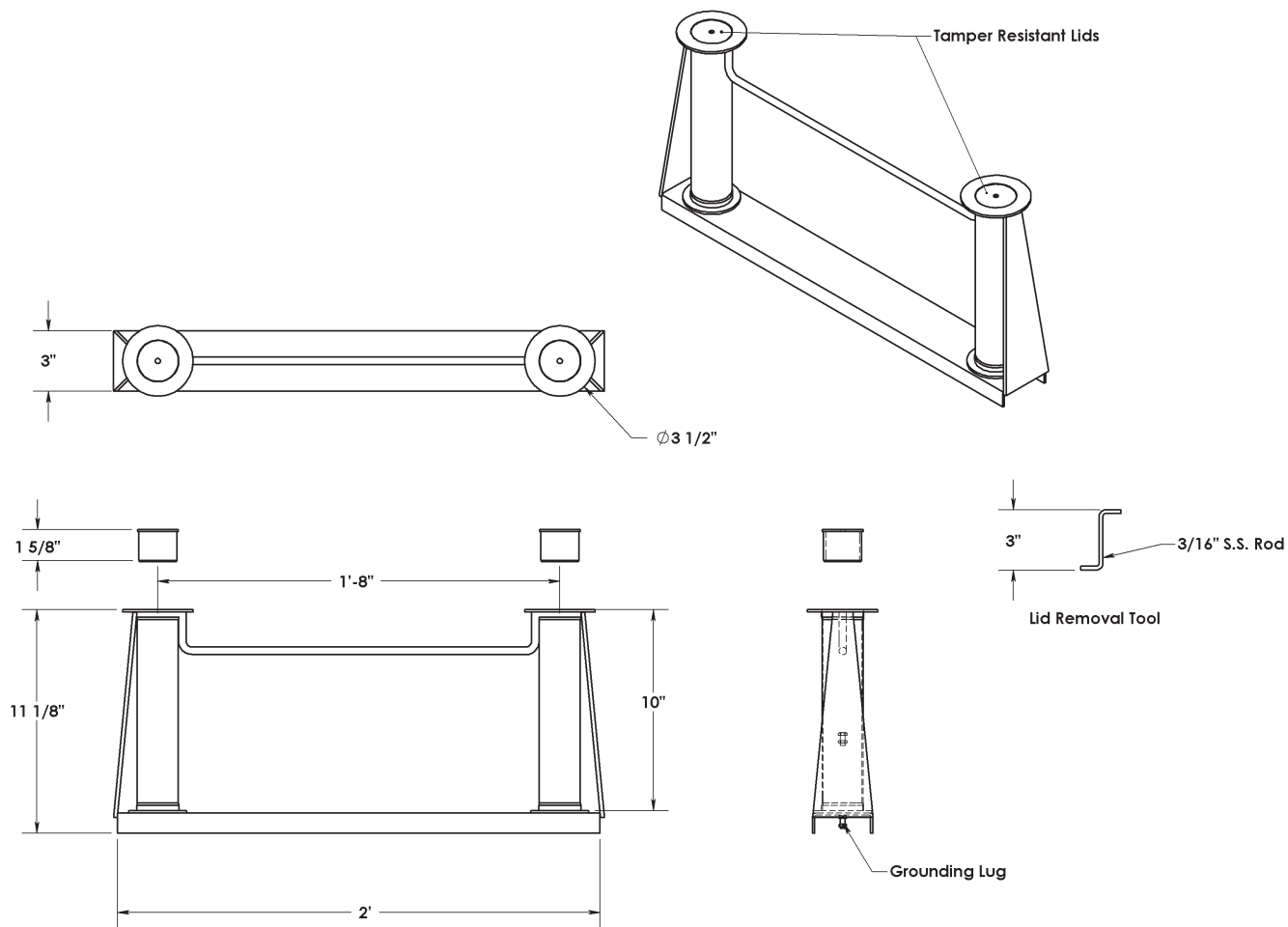


10" DUAL ANCHOR



*Note: Drawings not to scale. Specifications are nominal and are subject to change.



7100 Spectrum Lane
 Missoula, Montana 59808
 406.542.9781 • 800.791.8056
 Fax: 406.542.1158
 www.spectrumproducts.com

ENGINEERING DATA

Product:	10" Dual Anchor
Product #:	24071
Date:	12/2002
Data Sheet #:	SA 24071.1202