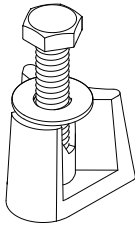
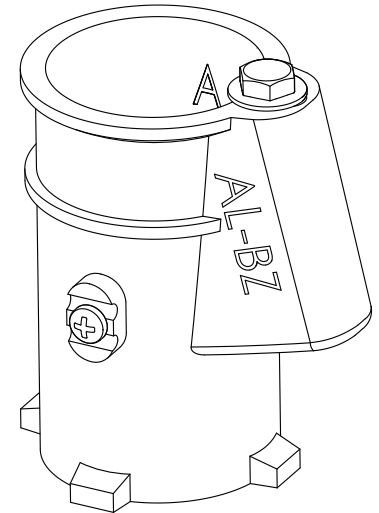
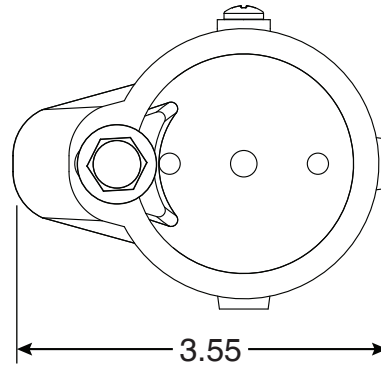


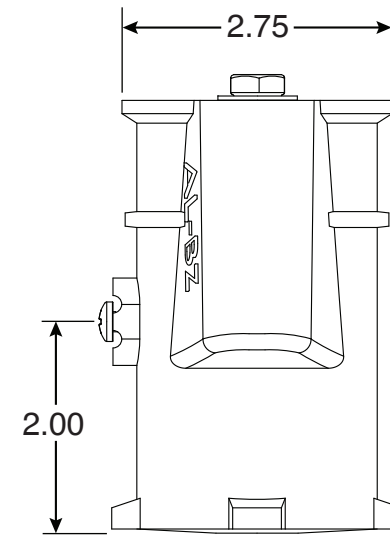
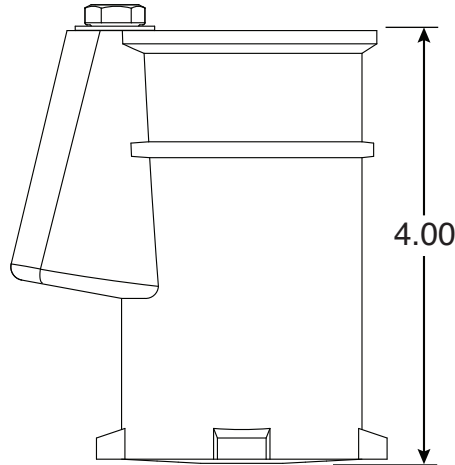
4 Inch Corrosion Resistant Bronze Anchor For High Corrosion Environment

Part No.
24010

Parts List	
QTY	Description
1	Socket Bronze
1	PW-4C Wedge
1	5/16" Stainless Steel Washer
1	5/16-18 x 1-3/4" SS Bolt
1	10-24 x 3/8" Brass Screw



Uses Wedge Assembly
PW-4C



- 4" Deep Bronze Socket
- Accommodates 1.90" OD Tubing
- Uses PW-4C Wedge Assembly

Anchors Must Drain to Prevent Corrosion

SPECTRUM
Aquatics
A PLAYCORE Company