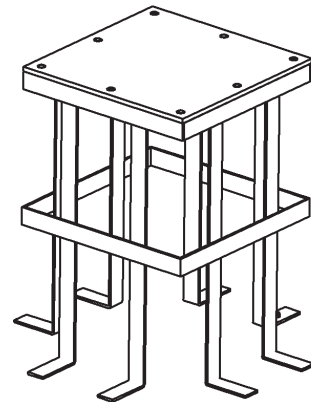
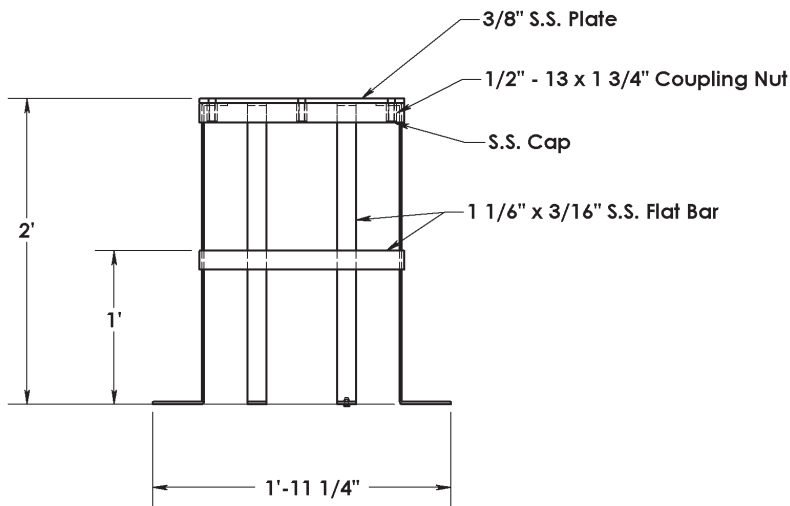
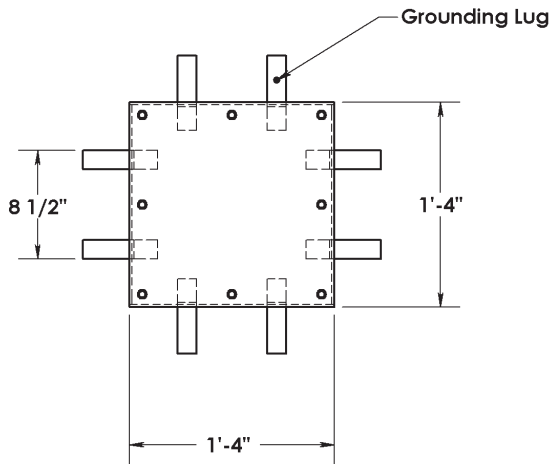


1 Meter Anchor



**Note: Drawings not to scale. Specifications are nominal and are subject to change.*

SPECTRUM
Products®

7100 Spectrum Lane
Missoula, Montana 59808
406.542.9781 • 800.791.8056
Fax: 406.542.1158
www.spectrumproducts.com

ENGINEERING DATA

Product:	1 Meter Anchor
Product #:	22140, 22160
Date:	1/2008
Data Sheet #:	SA 22140.1/08