

REVISIONS

ZONE	REV.	DESCRIPTION	DATE	APPROVED
------	------	-------------	------	----------

D

D

C

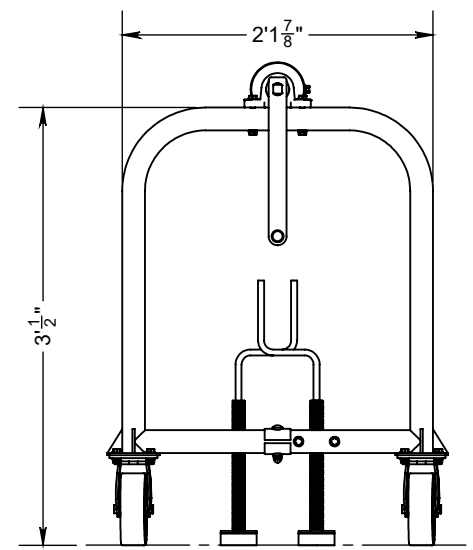
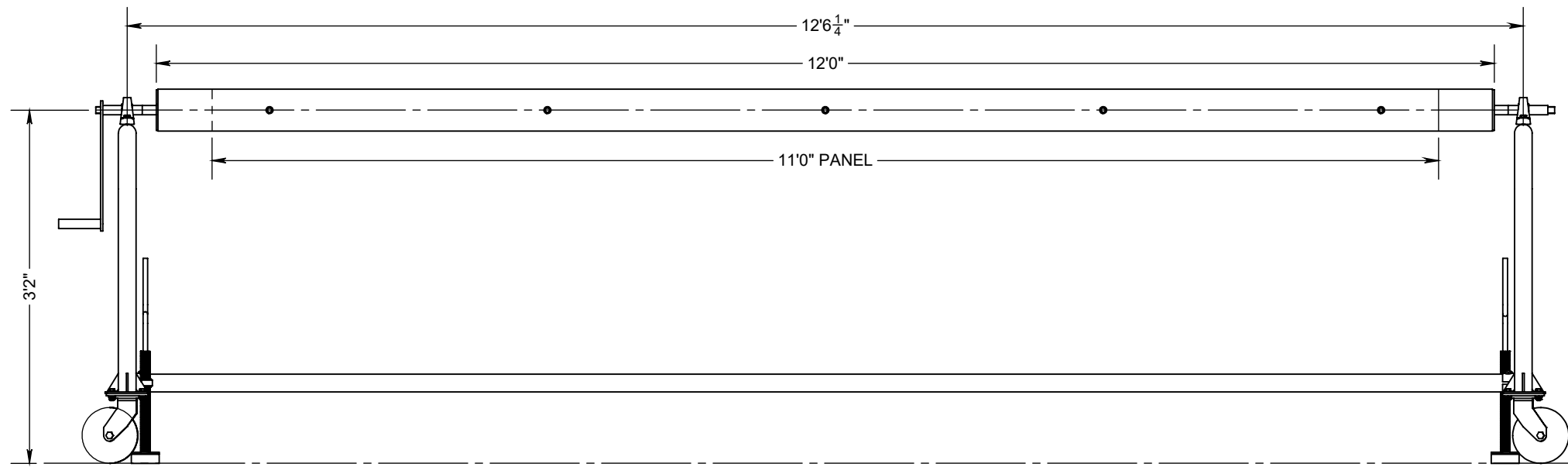
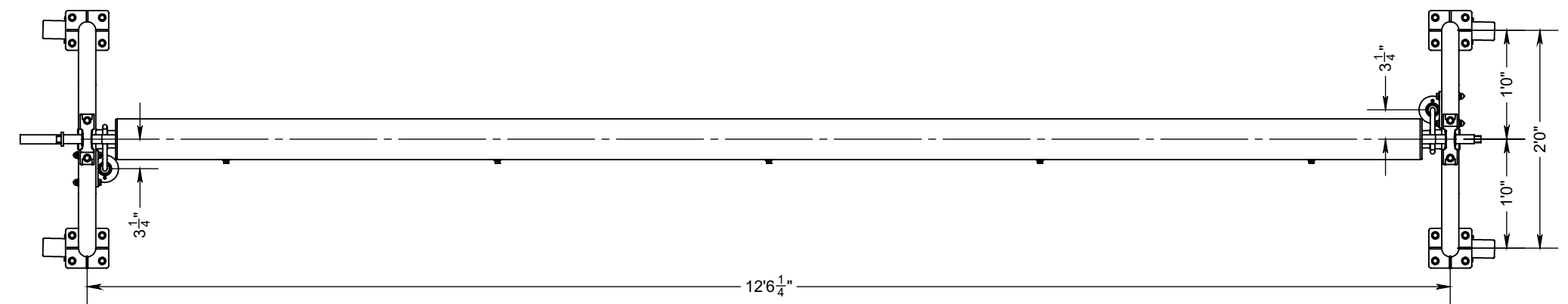
C

B

B

A

A



PRELIMINARY DO NOT FABRICATE

P1 Tuesday, February 2, 2021 12:56:00 PM

CUSTOMER:				MATERIAL	
X				304L STAINLESS STEEL	
SALES ORDER	ITEM NO.	QTY	U/M	FINISH	
X	X	X	X	600 GRIT	
NOTICE: UNLESS OTHER PROVISIONS ARE MADE AT THE TIME OF SUBMISSION, REVISIONS TO ALL APPROVED DRAWINGS MUST BE MADE WITHIN 24 HOURS OF RECEIPT TO AVOID CHARGES FROM WORK IN PROGRESS.					

CUSTOMER SIGNATURE

BY: _____

DATE: _____

BY SIGNING ANYPLACE ON THIS SUBMITTAL, YOU ARE APPROVING AS IS - NO CHANGES REQUIRED.

PROPRIETARY AND CONFIDENTIAL

PLEASE REVIEW THIS SUBMITTAL THOROUGHLY. SPECTRUM AQUATICS HAS MADE EVERY EFFORT TO DESIGN TO SUPPLIED SPECIFICATIONS. SPECTRUM AQUATICS CANNOT BE HELD RESPONSIBLE FOR ERRORS AFTER THE SUBMITTAL(S) HAS BEEN SIGNED AND APPROVED. PLEASE INSURE ALL DIMENSIONS ARE ACCURATE AND CORRECT AND PRODUCT IS COMPLIANT WITH APPLICABLE CODES.



SPECTRUM
Aquatics
A PLAYCORE Company

7100 SPECTRUM LANE (406) 542-9781
MISSOULA, MT 59808 FAX: (406) 542-1158

TITLE: DECK REEL		
SIZE	DWG. NO.	REV
B	2190000	P1
DO NOT SCALE DRAWING		DIMENSIONS ARE IN INCHES TOLERANCES: FRACTIONAL ± 1/8"
SCALE: 1:16		WEIGHT: 82936.648
		SH. 1 OF 1