

MODEL ACF

Cartridge Filters



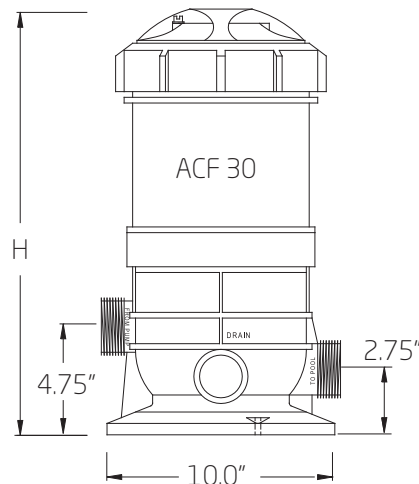
Features

- The injection molded tank construction provides dependable corrosion-free performance.
- The filter is designed with a lock ring lid closer to make access to the cartridge for cleaning a snap.
- Cartridge with 100% polyester media provides long cleaning cycles and results in long cartridge life.
- Built-in air relief valve and pressure gauge.
- Equipped with 1.5" quick disconnect unions and large 1.5" drain plug for easy debris removal.
- Systems are designed to make assembly and installation quick and easy.
- Heavy duty injection molded plastic equipment base keeps the pump and filter elevated, away from harm.
- All pump/filter systems are equipped with pump-to-filter plumbing package with quick disconnect unions. Systems with pump Model A91 or Model E71 also includes pool-to-equipment hose package.
- A variety of cord sets are available.
- Every filter is performance tested before leaving the factory.

Applications

- Perfect for residential above-ground, on-ground, and in-ground pools.

Technical Data



MODEL		ACF 30	ACF 60	ACF 90	ACF 120	ACF 150	ACF 180
FILTER AREA	sq. ft.	30	60	90	120	150	180
DIMENSIONS	H	18.0"	22.5"	28.0"	33.75"	40.75"	45.0"
MAXIMUM RECOMMENDED FLOW RATE*	GPM	30	60	90	120	150	180
MAXIMUM POOL CAPACITY <i>(Based on 8 hour turnover)</i>	Gallons	14,000	28,000	43,000	57,000	72,000	86,000
PORT SIZE		1.5"	1.5"	1.5"	1.5"	1.5"	1.5"
MAXIMUM OPERATION PRESSURE:	50 PSI						
MAXIMUM OPERATION TEMPERATURE:	130°						
SHIPPING WEIGHT	lbs.	15	17	18	19	22	25

*Rated flow based on a maximum of 1 GPM per sq. ft. of filter area.

