

Vortex[®]



Big time, fun slide!

- 10'7" in height (7'6" to seat)
- 19' corkscrew runway
- Available with ladder or spiral staircase
- Accommodates sliders up to 325 lbs/147kg
- Sturdy rotomolded construction for strength and durability
- 30 gpm max. water delivery system can be plumbed through the pool's return line
- Intended for use on in-ground swimming pools only



Model No.	Description	Shipping (2 pallets)			
		Weight	Length	Width	Height
695-209-13	Open flume with ladder, Blue	1350 lbs 612kg	Pallet 1 128" 57" 72" 325cm 145cm 183cm		
695-209-124	Open flume with ladder, Gray Granite				
695-209-23	Closed flume with ladder, Blue	1500 lbs 680kg	Pallet 2 150" 39" 48" 381cm 99cm 122cm		
695-209-224	Closed flume with ladder, Gray Granite				
695-209-33	Open flume with staircase, Blue	1710 lbs 776kg			
695-209-324	Open flume with staircase, Gray Granite				
695-209-43	Closed flume with staircase, Blue	1860 lbs 844kg			
695-209-424	Closed flume with staircase, Gray Granite				

* Gray Granite and Blue slides are not an exact match with Gray Granite and Blue diving boards & stands due to differences in material. Please consult your sales representative for more details.

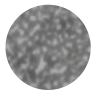
Parts & Accessories

- 14-400 Warning Sign
- 06-369 Rules Sign

Slide Color



BLUE*

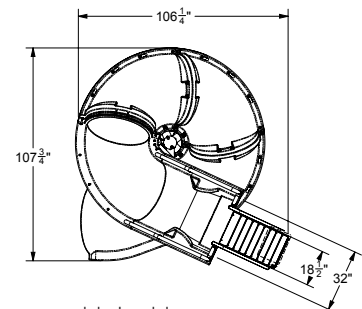
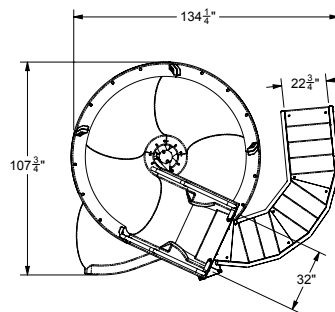
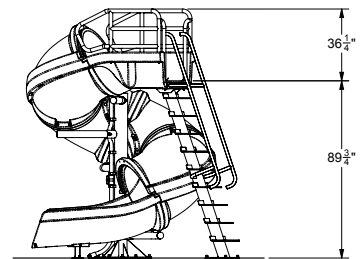
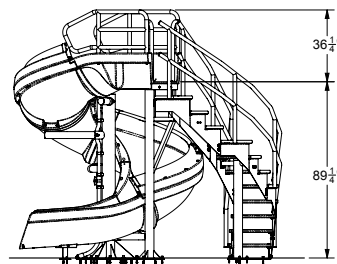


GRAY GRANITE*

Due to printing technology, actual color may differ.

Adult supervision required at all times when children are using this slide.

Flume Details



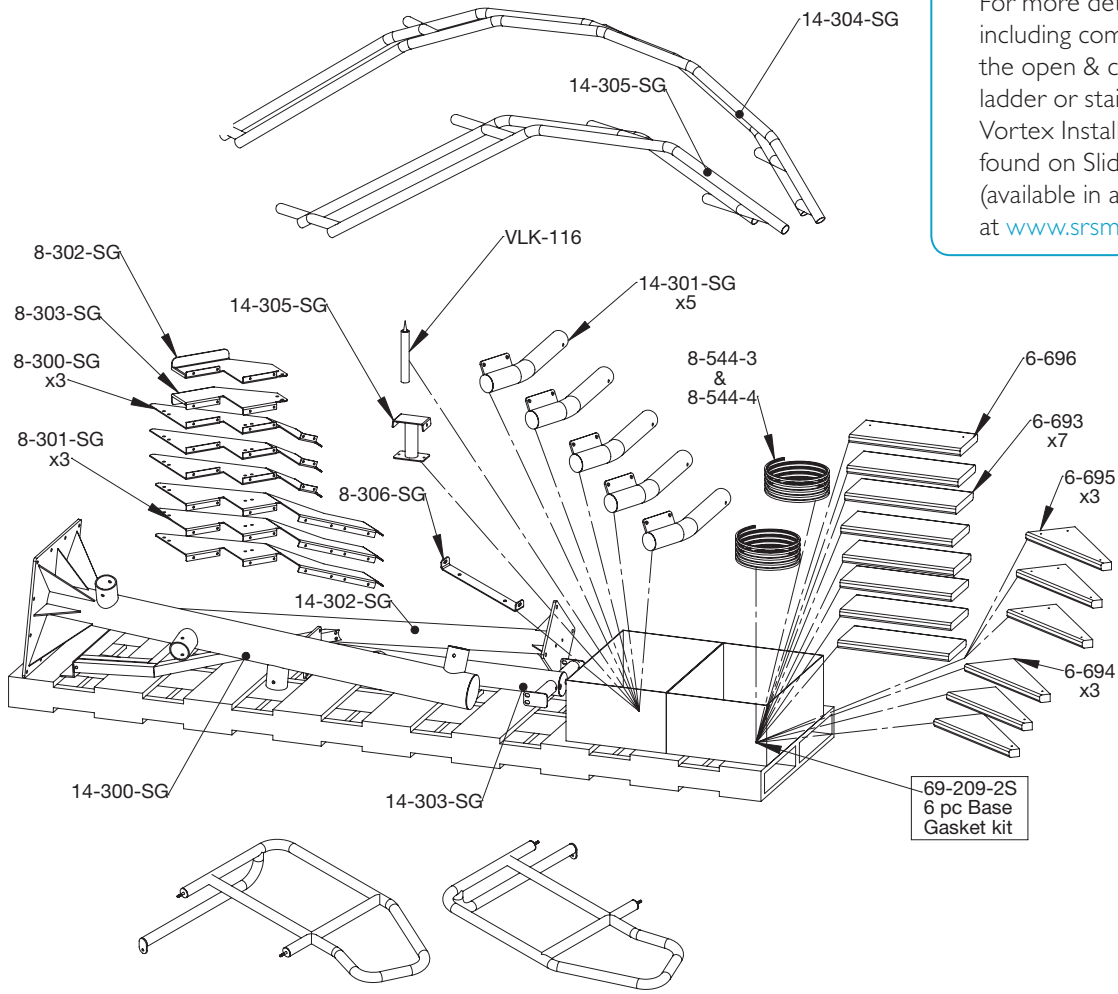
Vortex with Staircase

Vortex with Ladder



All S.R.Smith, LLC swimming pool slides fully comply with Consumer Products Safety Commission (CPSC) mandatory safety Standard for Swimming Pool Slides (16 CFR 1207) and are certified by independent third party testing labs. The installer or end-user is responsible for complying with local building codes for the location, installation, construction or assembly of these slides. S.R.Smith, LLC makes no representations that the location, installation, construction or assembly of its slides meet local building codes.

Vortex with Staircase



For more details on the Vortex, including complete parts lists for the open & closed flume styles with ladder or staircase, refer to the Vortex Installation Instructions found on Slides/Vortex web page (available in a downloadable pdf) at www.srsmith.com

Vortex with Ladder

