



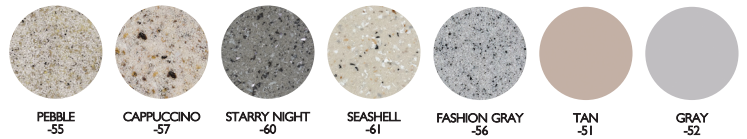
T7 Jump System

FEATURES:

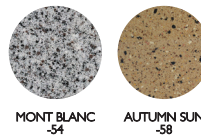
- Unique 7' Diving Board Can Be Installed on Type I – Type V Pools
- Durable & Long Lasting Acrylic & Fiberglass Construction with Advanced Composite Springs
- Advanced High-Tech RTM Manufacturing
- Optional Board Fall Compatible Base
- Weight Limit = 300 lbs.
- Variety of Earth Tones & Granite Colors Available
- Suitable for Use With Salt Systems
- *Matching Products:* Designed to match the Landscape Slide products or Destination Series In-Pool Furniture perfectly for a complete designer pool look.



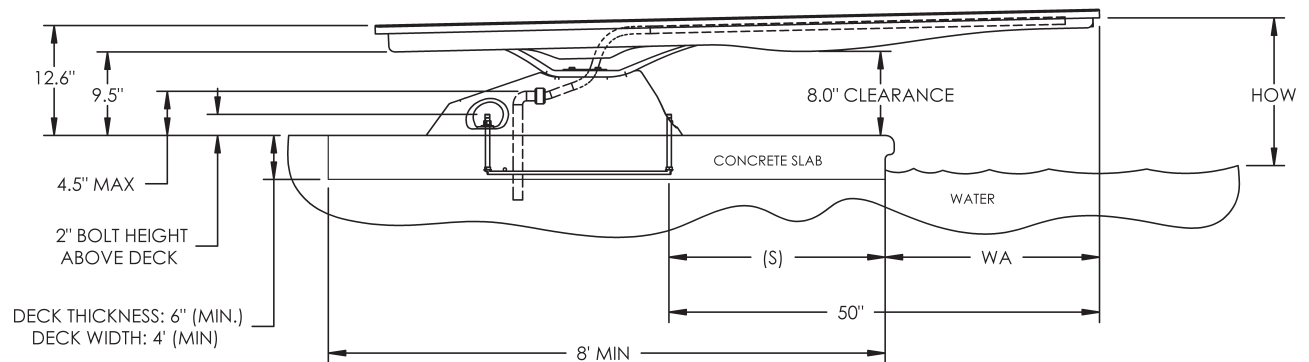
STANDARD COLORS



SPECIAL ORDER COLORS*



*Special Order Colors may result in longer lead times.
Contact Customer Service for more information.



T7 DIVING SYSTEM - COMPLETE BASIC SETUP	
PART NUMBER	DESCRIPTION
SHIPPING	CONTACT CUSTOMERCARE@SRSMITH.COM
T7-N51-C	COMPLETE BASIC SETUP - TAN
T7-N52-C	COMPLETE BASIC SETUP - GRAY
T7-N54-C	COMPLETE BASIC SETUP - MONT BLANC
T7-N55-C	COMPLETE BASIC SETUP - PEBBLE
T7-N56-C	COMPLETE BASIC SETUP - FASHION GRAY
T7-N57-C	COMPLETE BASIC SETUP - CAPPUCCINO
T7-N58-C	COMPLETE BASIC SETUP - AUTUMN SUN
T7-N60-C	COMPLETE BASIC SETUP - STARRY NIGHT
T7-N61-C	COMPLETE BASIC SETUP - SEASHELL

Complete system comes with Board, Spring, Base, Jig and all Stainless Steel Mounting Hardware. 300 lb Weight Limit

T7 BASE AND JIG WITH MOUNTING HARDWARE	
PART NUMBER	DESCRIPTION
SHIPPING	26 lbs 30" L x 10" W x 20" H
T7-NBASE-51	T7 BASE AND JIG - TAN
T7-NBASE-52	T7 BASE AND JIG - GRAY
T7-NBASE-54	T7 BASE AND JIG - MONT BLANC
T7-NBASE-55	T7 BASE AND JIG - PEBBLE
T7-NBASE-56	T7 BASE AND JIG - FASHION GRAY
T7-NBASE-57	T7 BASE AND JIG - CAPPUCCINO
T7-NBASE-58	T7 BASE AND JIG - AUTUMN SUN
T7-NBASE-60	T7 BASE AND JIG - STARRY NIGHT
T7-NBASE-61	T7 BASE AND JIG - SEASHELL

T7 Base and Jig with Jig to Base Stainless Steel Hardware

T7 DIVING SYSTEM - COMPLETE WITH WATERFALL	
PART NUMBER	DESCRIPTION
SHIPPING	CONTACT CUSTOMERCARE@SRSMITH.COM
T7-NWBFAL-51-C	COMPLETE WITH WATERFALL - TAN
T7-NWBFAL-52-C	COMPLETE WITH WATERFALL - GRAY
T7-NWBFAL-54-C	COMPLETE WITH WATERFALL - MONT BLANC
T7-NWBFAL-55-C	COMPLETE WITH WATERFALL - PEBBLE
T7-NWBFAL-56-C	COMPLETE WITH WATERFALL - FASHION GRAY
T7-NWBFAL-57-C	COMPLETE WITH WATERFALL - CAPPUCCINO
T7-NWBFAL-58-C	COMPLETE WITH WATERFALL - AUTUMN SUN
T7-NWBFAL-60-C	COMPLETE WITH WATERFALL - STARRY NIGHT
T7-NWBFAL-61-C	COMPLETE WITH WATERFALL - SEASHELL

Complete system comes with Board, Spring, Base, Jig, Waterfall Feature and all Stainless Steel Mounting Hardware. 300 lb Weight Limit

T7 BASE WITH MOUNTING HARDWARE - NO JIG	
PART NUMBER	DESCRIPTION
SHIPPING	26 lbs 30" L x 10" W x 20" H
T7-NBASE-51-NJ	T7 BASE - TAN
T7-NBASE-52-NJ	T7 BASE - GRAY
T7-NBASE-54-NJ	T7 BASE - MONT BLANC
T7-NBASE-55-NJ	T7 BASE - PEBBLE
T7-NBASE-56-NJ	T7 BASE - FASHION GRAY
T7-NBASE-57-NJ	T7 BASE - CAPPUCCINO
T7-NBASE-58-NJ	T7 BASE - AUTUMN SUN
T7-NBASE-60-NJ	T7 BASE - STARRY NIGHT
T7-NBASE-61	T7 BASE - SEASHELL

T7 Base with Stainless Steel Mounting Hardware without Jig

T7 SAND TREAD BOARD WITH MOUNTING HARDWARE	
PART NUMBER	DESCRIPTION
SHIPPING	53 lbs 87" L x 22" W x 9" H
T7 DB-51	SAND TREAD BOARD AND SPRINGS - TAN
T7 DB-52	SAND TREAD BOARD AND SPRINGS - GRAY
T7 DB-54	SAND TREAD BOARD AND SPRINGS - MONT BLANC
T7 DB-55	SAND TREAD BOARD AND SPRINGS - PEBBLE
T7 DB-56	SAND TREAD BOARD AND SPRINGS - FASHION GRAY
T7 DB-57	SAND TREAD BOARD AND SPRINGS - CAPPUCCINO
T7 DB-58	SAND TREAD BOARD AND SPRINGS - AUTUMN SUN
T7 DB-60	SAND TREAD BOARD AND SPRINGS - STARRY NIGHT
T7 DB-61	SAND TREAD BOARD AND SPRINGS - SEASHELL

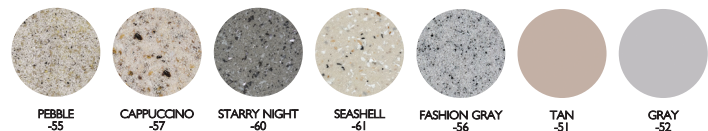
Comes with 7' Sand Tread Surface Board Only and Stainless Steel Hardware 300 lb Weight Limit

OPTIONAL WATERFALL ASSEMBLY KIT	
PART NUMBER	DESCRIPTION
SHIPPING	5 lbs 13" L x 12" W x 6" H
BOARD FALL	INCLUDES: BOARD FALL, MOUNTING HARDWARE (4 SCREWS), 8' & 4" OF 1/2" FLEX PVC PIPE, 1-UNION

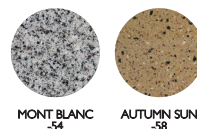
T7 SPRINGS (PAIR) WITH MOUNTING HARDWARE	
PART NUMBER	DESCRIPTION
SHIPPING	27 lbs 47" L x 7" W x 8" H
T7-NSPRING-3	EARTH (FOR COLORS -51, -55, -57, -58 & -61)
T7-NSPRING-9	LIGHT GRAY (FOR COLORS -52, -54, -56 & -60)

T7 Springs (pair) with Spring to Base Stainless Steel Hardware

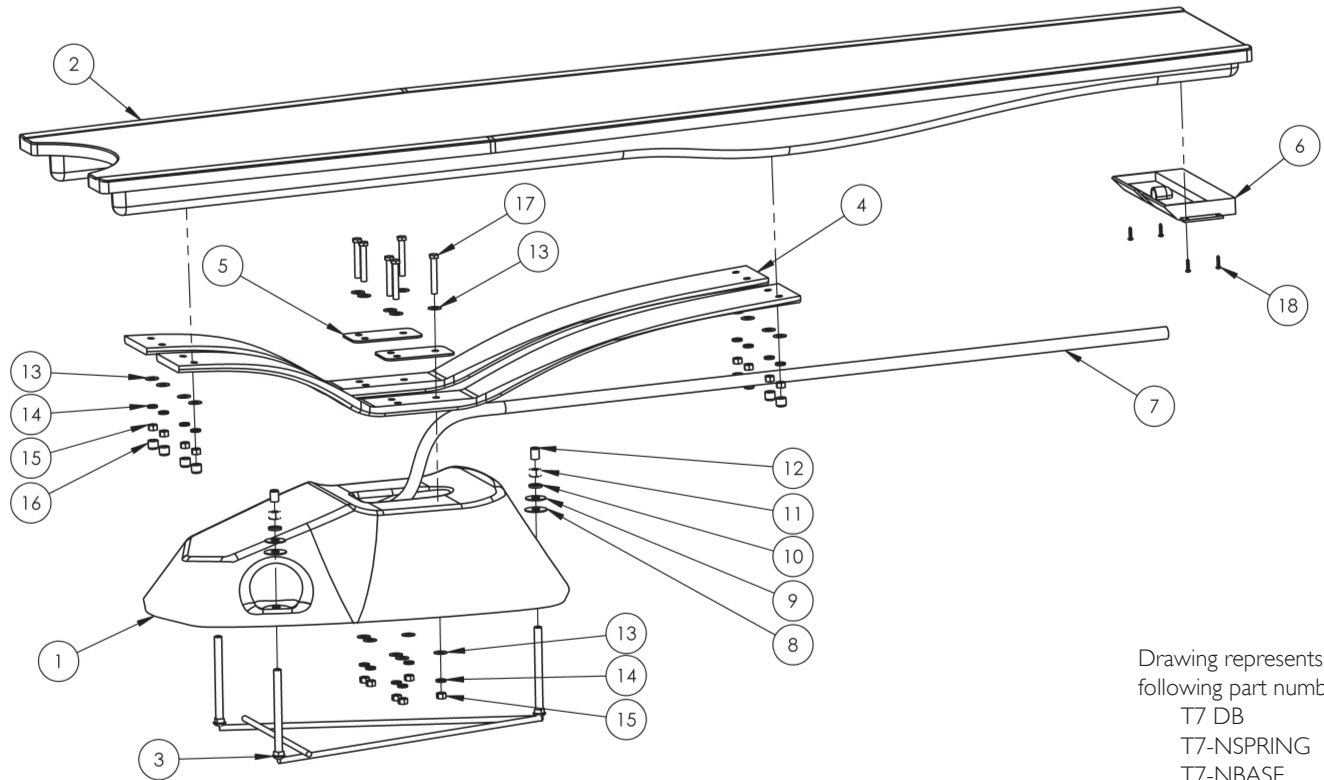
STANDARD COLORS



SPECIAL ORDER COLORS*



*Special Order Colors may result in longer lead times. Contact Customer Service for more information.



Drawing represents the following part numbers:
 T7 DB
 T7-NSPRING
 T7-NBASE

Key	Part No.	Description	Kits - Quantity Counts				
			T7-NBK	T7-102-SS	EDGE-SP	T7	
1*	T7-Nbase-(Color Code)	No Step T7 Base				1	T7-NBK: Base to Jig Mounting Hardware
2	T7-DB-(Color Code)	7' T7 Diving Board				1	
3	T7-Njig	3 Bolt T7 No Step Base Jig				1	
4	T7-NSpring-(Color)	T7 Nbase Springs (Pair)				1	T7-102-SS: Board to Springs Mounting Hardware
5	Spring Pad (Factory Installed)	T7 Nspring Pad				2	
6**	Board Fall	Optional Waterfall Assembly				1	
7**	H-1/2 Spa Hose	1/2" Pvc Flex Spa Hose Gray				1	EDGE-SP: Spring to Base Mounting Hardware
8	H-1/2 Nylon Was	1/2" Flat Nylon Washer	3				
9	H-SS 1/2 F Was	1/2" SS Flat Washer	3				
10	H-SS 1/2 Loc Wa	1/2" SS Lock Washer	3				
11	H-SS 1/2 H Nut	1/2" SS Hex Nut	3				
12	H-1-1/2 Wht Cap	.750 X 1-1/2 White Uv Nut Cap	3				
13	H-SS 3/8 Flt Wa	3/8" SS Flat Washer		8	12		
14	H-SS 3/8 Loc Wa	3/8" SS Lock Washer		8	6		
15	H-SS 3/8 F Nut	3/8" SS Finish Hex Nut		8			
16	H-.562 X .390 Cap	.553 X 1/2" Gray Protective Cap		8			
17	H-SS 3/8 X 2-1/2	3/8"-16 X 2-1/2" Hex Head Bolt Ss			6		
18**	H-SS #8 X 3/4	SS 8 X 3/4" Pan Head Phillips Screw				4	
19*	H-SS 3/8 Nylon	3/8" Nylon Insert Lock Nut			6		
20*	H-Anti-Seize	Packet of Anti Seize Lubricant (Not Shown)		1	1		

* not pictured

** optional waterfall feature

NOTES:

Part #T7-NBASE comes WITH jig (#3).

The T7 diving board, base, and springs must be used together and cannot be used separately in any other configuration. Protective Caps for bolts available in White only.

