

Supreme (656/658) Stand



The Supreme stand is a high-end stand that offers users extreme diving fun!

- Made of durable, scratch resistant acrylic reinforced with fiberglass
- 6' or 8' lengths
- Available in a variety of colors – match your pool slide and backyard décor
- Stainless steel hardware for added corrosion resistance
- Board has a matching, non-slip sanded tread

Supreme Jump Stand with Frontier III Board

Model No.	Size	Color	Shipping (3 boxes)			
			Weight	Length	Width	Height
68-209-6162	6'	Radiant White	52 lbs 24kg	74" 188cm	20" 51cm	3" 8cm
68-209-61623	6'	Pebble*	22 lbs 10kg	18" 46cm	18" 46cm	10" 25cm
68-209-61624	6'	Gray Granite*	20 lbs 10kg	33" 84cm	18" 46cm	4" 10cm
68-209-6182	8'	Radiant White	70 lbs 32kg	98" 249cm	20" 51cm	3" 8cm
68-209-61823	8'	Pebble*	22 lbs 10kg	18" 46cm	18" 46cm	10" 25cm
68-209-61824	8'	Gray Granite*	33 lbs 15kg	41" 104cm	18" 46cm	4" 10cm

Note:

* Pebble kits come with Taupe springs. Gray Granite kits come with Rock Gray springs

Board + Stand Colors



RADIANT WHITE

PEBBLE

GRAY GRANITE*

Due to printing technology actual color may differ.

Due to differences in material and textures, Gray Granite Diving Boards and Stands are not an exact color match to Gray Granite Slides. Please consult your S.R.Smith sales representative for more details.

All installations must comply with all applicable local and national codes and installation must be completed in accordance with S.R.Smith installation instructions.

Compatible with:



Frontier III Board



Glas-Hide Board



FreeStyle Board



HipHop Board

Supreme Jump Stand with Glas-Hide Board*

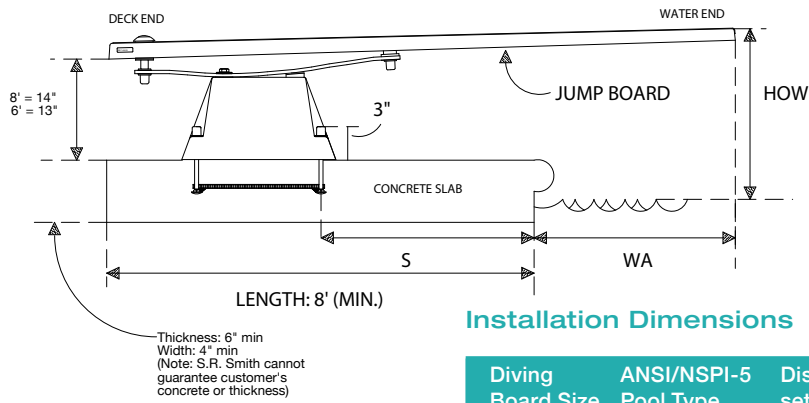
Model No.	Size	Color	Shipping (3 boxes)			
			Weight	Length	Width	Height
68-209-2362	6'	Radiant White	57 lbs 26kg	74" 188cm	20" 51cm	3" 8cm
			22 lbs 10kg	18" 46cm	18" 46cm	10" 25cm
			20 lbs 10kg	33" 84cm	18" 46cm	4" 10cm
68-209-2382	8'	Radiant White	70 lbs 32kg	98" 249cm	20" 51cm	3" 8cm
			22 lbs 10kg	18" 46cm	18" 46cm	10" 25cm
			33 lbs 15kg	41" 104cm	18" 46cm	4" 10cm

Note:

*Not recommended for salt pools

Parts & Hardware:

- 75-209-5885-SS Epoxy Kit with 4 bolts



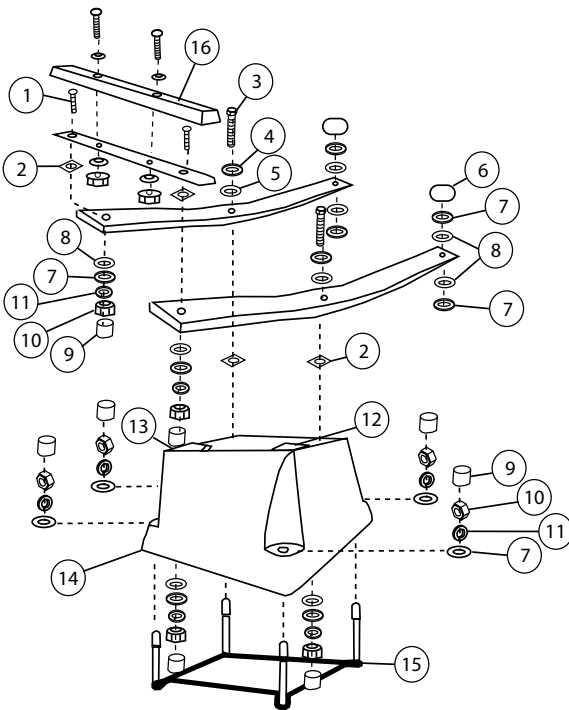
Installation Dimensions

Diving Board Size	ANSI/NSPI-5 Pool Type	Distance for setting front bolt of jig from water's edge (S)**	Minimum overhang (WA)*	Maximum height of board above water (HOW)
6'	I	28-3/4"	18"	20"
	II	28-3/4"	18"	20"
	III	22-3/4"	24"	26"
	IV	16-3/4"	30"	30"
	V	10-3/4"	36"	40"
8'	III	42-1/2"	24"	26"
	IV	36-1/2"	30"	30"
	V	30-1/2"	36"	40"

Notes:

*S and WA dimensions are valid only in conjunction with minimum depth at point A

**When coping is used do not set front bolts of jig closer than 3" from the back edge of the coping



Key	Part No.	Description	Kit A	Kit B	Kit C
A	69-209-017-SS	Supreme Stand Bolt Kit			
B	69-209-020-SS	Fulcrum Bolt Kit			
C	69-209-019-SS	606/608 Spring Bolt Kit			
1	05-31-170	1/2" x 1 1/2" Carriage Bolt		•	
2	05-630	5/8" x 2" Square Nylon Washer	•	•	
3	05-31-155	5/8" x 3" Hex Head Bolt	•		
4	05-32-118	5/8" x 1 3/4" Flat Washer		•	
5	05-631	5/8" x 1 3/4" Nylon Washer	•		
6	04-608	1" Spacer, Schedule 40 Pipe		•	
7	05-14-132	1/2" x 1 3/8" Flat Washer	•	•	•
8	05-616	1/2" x 1 1/2" Round Nylon Washer		•	•
9	05-618	1/2" Plastic Nut Cap	•	•	•
10	05-14-116	1/2" Hex Nut	•	•	•
11	05-14-115	1/2" Lock Washer	•	•	•
12	05-620L	Plastic Tab (Left)		•	
13	05-620R	Plastic Tab (Right)		•	
14	69-209-008 69-209-008-SNST 69-209-008-GG	Supreme Stand, White (jig included) Supreme Stand, Sandstone Supreme Stand, Gray Granite			
15	69-209-007-SS 69-209-007-SS-9 69-209-007-SS-10	Jig with 7" bolts Jig with 9" bolts Jig with 10" bolts			
16	04-605-SS	Fulcrum Assembly			
	69-209-026	606 Spring and Fulcrum			
	69-209-028	608 Spring and Fulcrum			

Boards

RESIDENTIAL



Fibre-Dive Board Fiberglass reinforced core, acrylic shell with flexible outer edge, matte backside, non-slip sanded tread



Frontier II Board Fiberglass reinforced core, acrylic shell with flexible outer edge, matte backside, non-slip sanded tread



Frontier III Board (Residential & Commercial Model) Fiberglass reinforced core, acrylic shell with flexible outer edge, matte backside, non-slip sanded tread



Frontier IV Board* (Residential & Commercial Model) Fiberglass reinforced core, acrylic shell with flexible outer edge, matte backside, non-slip sanded tread



Glas-Hide Includes flow-coat, smooth backside

SPECIALTY BOARDS



FreeStyle Board Fiberglass reinforced core, acrylic shell with flexible outer edge, matte backside, non-slip sanded tread



HipHop Board Fiberglass reinforced core, acrylic shell with flexible outer edge, matte backside, non-slip sanded tread

* Frontier boards require a special stand

COMMERCIAL



Swim Club Board Includes flow-coat, smooth backside



Eureka Board Fiberglass wrapped core with flow-coat, smooth backside



Olympian Board Aluminum

RESIDENTIAL	Bolt Pattern	Available Lengths	Weight Limit
Fibre-Dive	2-hole, 12" o.c.	6', 8' 10'	250 lbs
Frontier II	3-hole	6' & 8'	250 lbs
Frontier III	2-hole, 12" o.c.	6', 8' 10'	250 lbs
Frontier IV	2-hole, 11" o.c.	8'	400 lbs
Glas-Hide	2-hole, 12" o.c.	6', 8' 10'	250 lbs
HipHop	2-hole, 12" o.c.	80"	250 lbs
FreeStyle	2-hole, 12" o.c.	75"	250 lbs
COMMERCIAL			
Frontier III Commercial	2-hole, 12" o.c.	10', 12', 14' & 16'	250 lbs
Frontier IV Commercial	2-hole, 11" o.c.	8'	400 lbs
Swim Club	2-hole, 12" o.c.	10', 12', 14' & 16'	250 lbs
Eureka	2-hole, 12" o.c.	14' & 16'	250 lbs
Olympian	2-hole, 12" o.c.	10', 12', 14' & 16'	250 lbs

Note: As a general rule: as board length increases, so does board flexibility