

Steel Meter Stand



Steel Meter stands are ideal for users that want the best stand money can buy.

- Powder-coated for increased corrosion resistance
- 8', 10' or 12' lengths
- Stand comes in white, with your choice of board color
- Stainless steel hardware for added corrosion resistance
- Board has a matching, non-slip sanded tread
- Stand comes in 1/2, 3/4, or 1 meter heights*

* 1 M heights require handrails – order separately

Stand Color



RADIANT WHITE

Due to printing technology actual color may differ.

All installations must comply with all applicable local and national codes and installation must be completed in accordance with S.R.Smith installation instructions.

Compatible with:



Frontier III (8' and 10')



Frontier III Commercial (10' and 12')



Swim Club (10' and 12')



Olympian (10' and 12')

71-209-561-SS Brackets

Steel Meter Stands**

Stand			Shipping			
Model No.	Board Size	Stand	Weight	Length	Width	Height
70-209-501	8'	1/2 Meter Stand	118 lbs 54kg	45" 114cm	18" 46cm	14" 36cm
70-209-502	10'	1/2 Meter Stand	137 lbs 62kg	58" 147cm	18" 46cm	14" 36cm
70-209-510	10'	3/4 Meter Stand	173 lbs 78kg	58" 147cm	23" 58cm	18" 46cm
70-209-512	12'	3/4 Meter Stand	197 lbs 89kg	67" 170cm	23" 58cm	18" 46cm
70-209-520	10'	1 Meter Stand	203 lbs 93kg	57" 145cm	31" 79cm	18" 46cm
70-209-522	12'	1 Meter Stand	225 lbs 102kg	67" 170cm	31" 79cm	18" 46cm

**Not recommended for salt pools

Steel Meter Stand with 8' Frontier IV Board***

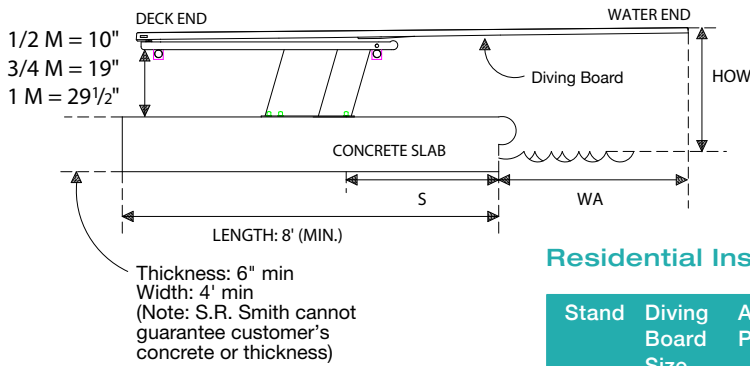
A special Steel Meter Stand was designed to pair specifically with our 8' Frontier IV board (400 lb weight limit). This combination is a great choice for pools with heavy diving traffic and more athletic pool users.

Stand		Shipping (2 boxes)			
Model No.	Description	Weight	Length	Width	Height
68-209-2582	1/2 Meter Stand with	118 lbs 54kg	98" 249cm	20" 51cm	3" 8cm
	8' Frontier IV board, White	83 lbs 38kg	45" 114cm	17" 43cm	14" 36cm

***The Frontier IV board has 11" bolt centers and requires a special Steel Meter Stand that only works with this board

Handrails

		Shipping			
Model No.	Description	Weight	Length	Width	Height
71-209-550	Handrail for 8' Board	44 lbs 20kg	36" 91cm	64" 162cm	6" 15cm
71-209-551	Handrail for 10' Board	46 lbs 21kg	36" 91cm	78" 198cm	6" 15cm
71-209-552	Handrail for 12' Board	48 lbs 22kg	36" 91cm	88" 224cm	6" 15cm



Residential Installation Dimensions

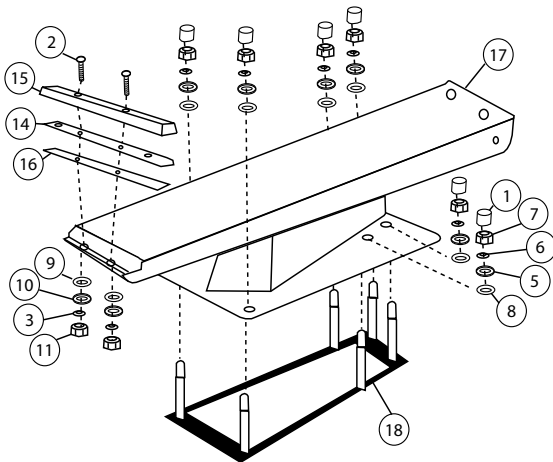
Stand	Diving Board Size	ANSI/NSPI-5 Pool Type	Distance for setting front bolt of jig from water's edge (S)**	Minimum overhang (WA)*	Maximum height of board above water (HOW)
1/2 Meter	8'	II	39"	18"	20"
		III	33"	24"	26"
		IV	27"	30"	30"
		V	21"	36"	40"
1/2 Meter	10'	III	45"	24"	26"
		IV	39"	30"	30"
		V	33"	36"	40"
3/4 Meter	10'	IV	46"	30"	30"
		V	40"	36"	40"
3/4 Meter	12'	V	51"	36"	40"
1 Meter	10'	V	43"	36"	40"
1 Meter	12'	V	57"	36"	40"

* S and WA dimensions are valid only in conjunction with minimum depth at point A

** When coping is used do not set front bolts of jig closer than 3" from the back edge of the coping

Length of Tray

Board	Stand	Tray Length
8'	1/2 M	44"
10'	1/2 M	56"
10'	3/4 M	56"
10'	1 M	56"
12'	3/4 M	66"
12'	1 M	66"



Key	Part No.	Description	Kit A	Kit B	Kit C
A	71-209-542-SS	1/2 Meter Stand Bolt Kit			
B	71-209-543-SS	3/4 & 1 Meter Stand Bolt Kit			
C	71-209-544	Fulcrum Kit			
1	05-618	1/2" Plastic Nut Cap	•	•	
2	05-32-130	3/8" x 2" Step Bolt	•	•	
3	5-151	3/8" Lock Washer	•	•	
4	05-31-171	1/2" x 3 1/2" Carriage Bolt (not shown)	•		
5	05-14-132	1/2" x 1 3/8" Flat Washer	•	•	
6	05-14-115	1/2" Lock Washer	•	•	
7	05-14-116	1/2" Hex Nut	•	•	
8	05-616	1/2" x 1 1/2" Round Nylon Washer	•	•	
9	05-32-111	3/8" Nylon Washer	•	•	
10	5-145	3/8" Flat Washer	•	•	
11	5-139	3/8" Hex Nut	•	•	
12	04-608	1" Spacer, Schedule 40 Pipe (not shown)		•	
13	08-505	15" Rubber Pad (not shown)		•	
14	04-646	18" Meter Fulcrum Plate			•
15	08-503	18" Meter Fulcrum Pad			•
16	08-506	20" Rubber Mounting Pad			•
17		1/2 Meter Steel Stand			
18	71-209-541-SS	Jig w/ 6" bolts			
	71-209-539-SS	Jig w/ 9" bolts			
	71-209-540-SS	Jig w/ 10" bolts			
	04-629	3/4 M Step Replacement			
	04-630	1 M Step Replacement			