

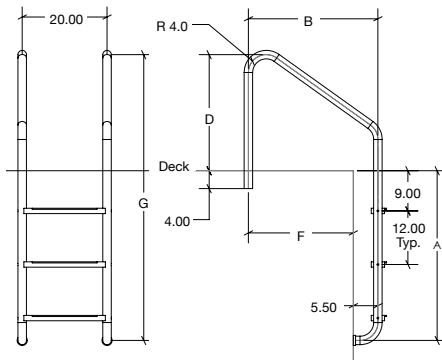
# Standard Plus Ladder



## Plastic Tread Ladder

- Tubing: 1.90" OD
- Wall Thickness: .065", .109" or .145"
- Stainless Steel: 304
- Treads: LTDF-106 (Plastic)
- Bends: 4" Radius
- Options: Powder-coating and SealedSteel Salt Friendly (rails only)
- Recommended anchors: AS-200B for 1.50" and AS-100B for 1.90" (order separately)
- Recommended escutcheons: EP-150 for 1.50" and EP-100F for 1.90" (order separately)

\* Call Customer Service at 800.824.4387 for availability of ladders of 1.50"OD tubing



plastic

MODEL NUMBER	D	B	A	F	G
10001 TO 10003	26.00	23.00	28.00	17.50	54.00
10004 TO 10006	26.00	23.00	40.00	17.50	66.00
10007 TO 10009	26.00	23.00	52.00	17.50	78.00
10010 TO 10012	26.00	23.00	64.00	17.50	90.00
10013 TO 10015	26.00	29.00	28.00	23.50	54.00
10016 TO 10018	26.00	29.00	40.00	23.50	66.00
10019 TO 10021	26.00	29.00	52.00	23.50	78.00
10022 TO 10024	26.00	29.00	64.00	23.50	90.00
10025 TO 10027	31.00	35.00	28.00	29.50	59.00
10028 TO 10030	31.00	35.00	40.00	29.50	71.00
10031 TO 10033	31.00	35.00	52.00	29.50	83.00
10034 TO 10036	31.00	35.00	64.00	29.50	95.00

Model No.	Description	Shipping			
		Weight	Length	Width	Height
10001 to 10003*	23" 2-Step Ladder with .065", .109", .145" tubing	30, 42, 54 lbs 14, 20, 24kg	61" 155cm	29" 74cm	2" 5cm
10004 to 10006	23" 3-Step Ladder with .065", .109", .145" tubing	36, 50, 62 lbs 16, 23, 28kg	70" 177cm	28" 71cm	2" 5cm
10007 to 10009	23" 4-Step Ladder with .065", .109", .145" tubing	40, 58, 70 lbs 18, 26, 32kg	82" 208cm	28" 71cm	2" 5cm
10010 to 10012	23" 5-Step Ladder with .065", .109", .145" tubing	46, 64, 78 lbs 21, 29, 35kg	90" 229cm	28" 71cm	2" 5cm
10013 to 10015	29" 2-Step Ladder with .065", .109", .145" tubing	30, 44, 56 lbs 14, 20, 25kg	59" 150cm	39" 99cm	2" 5cm
10016 to 10018	29" 3-Step Ladder with .065", .109", .145" tubing	36, 52, 64 lbs 16, 24, 29kg	85" 216cm	39" 99cm	2" 5cm
10019 to 10021	29" 4-Step Ladder with .065", .109", .145" tubing	42, 58, 72 lbs 20, 26, 33kg	85" 216cm	39" 99cm	2" 5cm
10022 to 10024	29" 5-Step Ladder with .065", .109", .145" tubing	48, 66, 80 lbs 22, 30, 36kg	85" 216cm	39" 99cm	2" 5cm
10025 to 10027	35" 2-Step Ladder with .065", .109", .145" tubing	34, 48, 62 lbs 15, 22, 28kg	59" 150cm	39" 99cm	2" 5cm
10028 to 10030	35" 3-Step Ladder with .065", .109", .145" tubing	38, 56, 70 lbs 17, 25, 32kg	76" 193cm	40" 102cm	2" 5cm
10031 to 10033	35" 4-Step Ladder with .065", .109", .145" tubing	44, 64, 78 lbs 20, 29, 35kg	76" 193cm	40" 102cm	2" 5cm
10034 to 10036	35" 5-Step Ladder with .065", .109", .145" tubing	50, 70, 86 lbs 23, 32, 40kg	76" 193cm	40" 102cm	2" 5cm

Note:

- Frames extend 5 1/2" from the pool wall. Frame is secured to the pool deck with two anchor sockets on 20" centers. The lower end of the frame is bent to meet the pool wall and fitted with two white rubber bumpers (WRB-100A for 1.90" and WRB-102A for 1.50").

\* Example 10001=.065", 10002=.109", 10003=.145" tubing

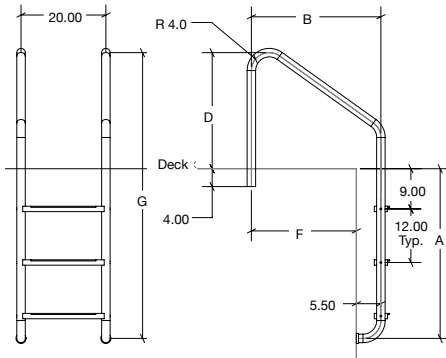
# Standard Plus Ladder

## Stainless Steel Tread Ladder



- Tubing: 1.90" OD
- Wall Thickness: .065", .109" or .145"
- Stainless Steel: 304
- Treads: LTDF-103 (Stainless Steel)
- Bends: 4" Radius
- Options: Powder-coating and SealedSteel Salt Friendly (rails only)
- Recommended anchors: AS-200B for 1.50" and AS-100B for 1.90" (order separately)
- Recommended escutcheons: EP-150 for 1.50" and EP-100F for 1.90" (order separately)

\* Call Customer Service at 800.824.4387 for availability of ladders of 1.50"OD tubing



stainless

MODEL NUMBER	D	B	A	F	G
10037 TO 10039	26.00	23.00	28.00	17.50	54.00
10040 TO 10042	26.00	23.00	40.00	17.50	66.00
10043 TO 10045	26.00	23.00	52.00	17.50	78.00
10046 TO 10048	26.00	23.00	64.00	17.50	90.00
10049 TO 10051	26.00	29.00	28.00	23.50	54.00
10052 TO 10054	26.00	29.00	40.00	23.50	66.00
10055 TO 10057	26.00	29.00	52.00	23.50	78.00
10058 TO 10060	26.00	29.00	64.00	23.50	90.00
10061 TO 10063	31.00	35.00	28.00	29.50	59.00
10064 TO 10066	31.00	35.00	40.00	29.50	71.00
10067 TO 10069	31.00	35.00	52.00	29.50	83.00
10070 TO 10072	31.00	35.00	64.00	29.50	95.00

Model No.	Description	Shipping			
		Weight	Length	Width	Height
10037 to 10039*	23" 2-Step Ladder with .065", .109", .145" tubing	30, 42, 54 lbs 14, 20, 24kg	61" 155cm	29" 74cm	2" 5cm
10040 to 10042	23" 3-Step Ladder with .065", .109", .145" tubing	36, 50, 62 lbs 16, 23, 28kg	70" 177cm	28" 71cm	2" 5cm
10043 to 10045	23" 4-Step Ladder with .065", .109", .145" tubing	40, 58, 70 lbs 18, 26, 32kg	82" 208cm	28" 71cm	2" 5cm
10046 to 10048	23" 5-Step Ladder with .065", .109", .145" tubing	46, 64, 78 lbs 21, 29, 35kg	90" 229cm	28" 71cm	2" 5cm
10049 to 10051	29" 2-Step Ladder with .065", .109", .145" tubing	30, 44, 56 lbs 14, 20, 25kg	59" 150cm	39" 99cm	2" 5cm
10052 to 10054	29" 3-Step Ladder with .065", .109", .145" tubing	36, 52, 64 lbs 16, 24, 29kg	85" 216cm	39" 99cm	2" 5cm
10055 to 10057	29" 4-Step Ladder with .065", .109", .145" tubing	42, 58, 72 lbs 20, 26, 33kg	85" 216cm	39" 99cm	2" 5cm
10058 to 10060	29" 5-Step Ladder with .065", .109", .145" tubing	48, 66, 80 lbs 22, 30, 36kg	85" 216cm	39" 99cm	2" 5cm
10061 to 10063	35" 2-Step Ladder with .065", .109", .145" tubing	34, 48, 62 lbs 15, 22, 28kg	59" 150cm	39" 99cm	2" 5cm
10064 to 10066	35" 3-Step Ladder with .065", .109", .145" tubing	38, 56, 70 lbs 17, 25, 32kg	76" 193cm	40" 102cm	2" 5cm
10067 to 10069	35" 4-Step Ladder with .065", .109", .145" tubing	44, 64, 78 lbs 20, 29, 35kg	76" 193cm	40" 102cm	2" 5cm
10070 to 10072	35" 5-Step Ladder with .065", .109", .145" tubing	50, 70, 86 lbs 23, 32, 40kg	76" 193cm	40" 102cm	2" 5cm

Note:

- Frames extend 5½" from the pool wall. Frame is secured to the pool deck with two anchor sockets on 20" centers. The lower end of the frame is bent to meet the pool wall and fitted with two white rubber bumpers (WRB-100A for 1.90" and WRB-102A for 1.50").

\* Example 10037=.065", 10038=.109", 10039=.145" tubing