

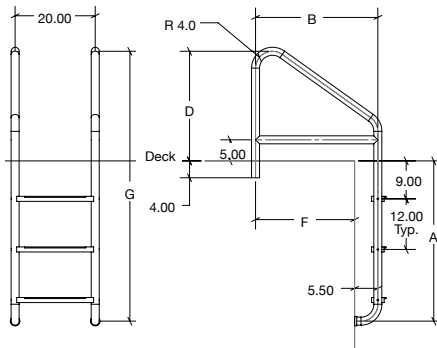
# Standard Crossbrace Plus Ladder

## Plastic Tread Ladder



- Tubing: 1.90" OD
- Wall Thickness: .065", .109" or .145"
- Stainless Steel: 304
- Treads: LTDF-106 (Plastic)
- Bends: 4" Radius
- Options: Powder-coating and SealedSteel Salt Friendly (rails only)
- Recommended anchors: AS-200B for 1.50" and AS-100B for 1.90" (order separately)
- Recommended escutcheons: EP-150 for 1.50" and EP-100F for 1.90" (order separately)

\* Call Customer Service at 800.824.4387 for availability of ladders of 1.50"OD tubing



plastic

| MODEL NUMBER   | A     | B     | D     | F     | G     |
|----------------|-------|-------|-------|-------|-------|
| 10073 TO 10075 | 28.00 | 23.00 | 26.00 | 17.50 | 54.00 |
| 10076 TO 10078 | 40.00 | 23.00 | 26.00 | 17.50 | 66.00 |
| 10079 TO 10081 | 52.00 | 23.00 | 26.00 | 17.50 | 78.00 |
| 10082 TO 10084 | 64.00 | 23.00 | 26.00 | 17.50 | 90.00 |
| 10085 TO 10087 | 28.00 | 29.00 | 26.00 | 23.50 | 54.00 |
| 10088 TO 10090 | 40.00 | 29.00 | 26.00 | 23.50 | 66.00 |
| 10091 TO 10093 | 52.00 | 29.00 | 26.00 | 23.50 | 78.00 |
| 10094 TO 10096 | 64.00 | 29.00 | 26.00 | 23.50 | 90.00 |
| 10097 TO 10099 | 28.00 | 35.00 | 31.00 | 29.50 | 59.00 |
| 10100 TO 10102 | 40.00 | 35.00 | 31.00 | 29.50 | 71.00 |
| 10103 TO 10105 | 52.00 | 35.00 | 31.00 | 29.50 | 83.00 |
| 10106 TO 10108 | 64.00 | 35.00 | 31.00 | 29.50 | 95.00 |

| Model No.       | Description                                       | Shipping                        |        |       |        |
|-----------------|---|---------------------------------|--------|-------|--------|
|                 |   | Weight                          | Length | Width | Height |
| 10073 to 10075* | 23" 2-Step Ladder with .065", .109", .145" tubing | 36, 50, 66 lbs<br>16, 23, 30kg  | 61"    | 29"   | 2"     |
| 10076 to 10078  | 23" 3-Step Ladder with .065", .109", .145" tubing | 42, 58, 74 lbs<br>20, 26, 34kg  | 70"    | 28"   | 2"     |
| 10079 to 10081  | 23" 4-Step Ladder with .065", .109", .145" tubing | 46, 66, 82 lbs<br>21, 30, 37kg  | 82"    | 28"   | 2"     |
| 10082 to 10084  | 23" 5-Step Ladder with .065", .109", .145" tubing | 52, 72, 90 lbs<br>24, 33, 41kg  | 90"    | 28"   | 2"     |
| 10085 to 10087  | 29" 2-Step Ladder with .065", .109", .145" tubing | 38, 56, 70 lbs<br>17, 25, 32kg  | 59"    | 39"   | 2"     |
| 10088 to 10090  | 29" 3-Step Ladder with .065", .109", .145" tubing | 44, 64, 78 lbs<br>20, 29, 35kg  | 85"    | 39"   | 2"     |
| 10091 to 10093  | 29" 4-Step Ladder with .065", .109", .145" tubing | 50, 70, 86 lbs<br>23, 32, 40kg  | 85"    | 39"   | 2"     |
| 10094 to 10096  | 29" 5-Step Ladder with .065", .109", .145" tubing | 56, 78, 94 lbs<br>25, 35, 43kg  | 85"    | 39"   | 2"     |
| 10097 to 10099  | 35" 2-Step Ladder with .065", .109", .145" tubing | 42, 62, 78 lbs<br>19, 28, 35kg  | 59"    | 39"   | 2"     |
| 10100 to 10102  | 35" 3-Step Ladder with .065", .109", .145" tubing | 46, 70, 86 lbs<br>20, 32, 39kg  | 76"    | 40"   | 2"     |
| 10103 to 10105  | 35" 4-Step Ladder with .065", .109", .145" tubing | 52, 78, 94 lbs<br>24, 35, 43kg  | 76"    | 40"   | 2"     |
| 10106 to 10108  | 35" 5-Step Ladder with .065", .109", .145" tubing | 58, 84, 102 lbs<br>26, 38, 46kg | 76"    | 40"   | 2"     |

**Notes:**

- Frames extend 5½" from the pool wall. Frame is secured to the pool deck with two anchor sockets on 20" centers. The lower end of the frame is bent to meet the pool wall and fitted two white rubber bumpers (WRB-100A for 1.90" and WRB-102A for 1.50").

\* Example 10073=.065", 10074=.109", 10075=.145" tubing

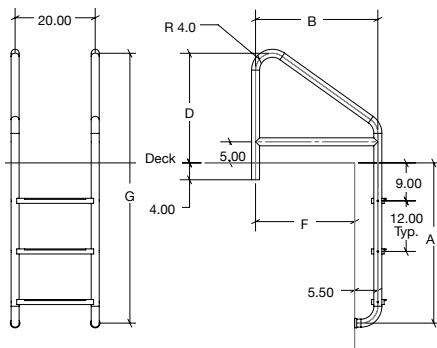
# Standard Crossbrace Plus Ladder

## Stainless Steel Tread Ladder



- Tubing: 1.90" OD
- Wall Thickness: .065", .109" or .145"
- Stainless Steel: 304
- Treads: LTDF-103 (Stainless Steel)
- Bends: 4" Radius
- Options: Powder-coating and SealedSteel Salt Friendly (rails only)
- Recommended anchors: AS-200B for 1.50" and AS-100B for 1.90" (order separately)
- Recommended escutcheons: EP-150 for 1.50" and EP-100F for 1.90" (order separately)

\* Call Customer Service at 800.824.4387 for availability of ladders of 1.50"OD tubing



stainless

| MODEL NUMBER   | A     | B     | D     | F     | G     |
|----------------|-------|-------|-------|-------|-------|
| 10109 TO 10111 | 28.00 | 23.00 | 26.00 | 17.50 | 54.00 |
| 10112 TO 10114 | 40.00 | 23.00 | 26.00 | 17.50 | 66.00 |
| 10115 TO 10117 | 52.00 | 23.00 | 26.00 | 17.50 | 78.00 |
| 10118 TO 10120 | 64.00 | 23.00 | 26.00 | 17.50 | 90.00 |
| 10121 TO 10123 | 28.00 | 29.00 | 26.00 | 23.50 | 54.00 |
| 10124 TO 10126 | 40.00 | 29.00 | 26.00 | 23.50 | 66.00 |
| 10127 TO 10129 | 52.00 | 29.00 | 26.00 | 23.50 | 78.00 |
| 10130 TO 10132 | 64.00 | 29.00 | 26.00 | 23.50 | 90.00 |
| 10133 TO 10135 | 28.00 | 35.00 | 31.00 | 29.50 | 59.00 |
| 10136 TO 10138 | 40.00 | 35.00 | 31.00 | 29.50 | 71.00 |
| 10139 TO 10141 | 52.00 | 35.00 | 31.00 | 29.50 | 83.00 |
| 10142 TO 10144 | 64.00 | 35.00 | 31.00 | 29.50 | 95.00 |

| Model No.       | Description                                       | Shipping                        |              |              |           |
|-----------------|---|---------------------------------|--------------|--------------|-----------|
|                 |   | Weight                          | Length       | Width        | Height    |
| 10109 to 10111* | 23" 2-Step Ladder with .065", .109", .145" tubing | 36, 50, 66 lbs<br>16, 23, 30kg  | 61"<br>155cm | 29"<br>74cm  | 2"<br>5cm |
| 10112 to 10114  | 23" 3-Step Ladder with .065", .109", .145" tubing | 42, 58, 74 lbs<br>20, 26, 34kg  | 70"<br>177cm | 28"<br>71cm  | 2"<br>5cm |
| 10115 to 10117  | 23" 4-Step Ladder with .065", .109", .145" tubing | 46, 66, 82 lbs<br>21, 30, 37kg  | 82"<br>208cm | 28"<br>71cm  | 2"<br>5cm |
| 10118 to 10120  | 23" 5-Step Ladder with .065", .109", .145" tubing | 52, 72, 90 lbs<br>24, 33, 41kg  | 90"<br>229cm | 28"<br>71cm  | 2"<br>5m  |
| 10121 to 10123  | 29" 2-Step Ladder with .065", .109", .145" tubing | 38, 56, 70 lbs<br>17, 25, 32kg  | 59"<br>150cm | 39"<br>99cm  | 2"<br>5cm |
| 10124 to 10126  | 29" 3-Step Ladder with .065", .109", .145" tubing | 44, 64, 78 lbs<br>17, 25, 32kg  | 85"<br>150cm | 39"<br>99cm  | 2"<br>5cm |
| 10127 to 10129  | 29" 4-Step Ladder with .065", .109", .145" tubing | 50, 70, 86 lbs<br>20, 29, 35kg  | 85"<br>216cm | 39"<br>99cm  | 2"<br>5cm |
| 10130 to 10132  | 29" 5-Step Ladder with .065", .109", .145" tubing | 56, 78, 94 lbs<br>25, 35, 43kg  | 85"<br>216cm | 39"<br>99cm  | 2"<br>5cm |
| 10133 to 10135  | 35" 2-Step Ladder with .065", .109", .145" tubing | 42, 62, 78 lbs<br>19, 28, 35kg  | 59"<br>150cm | 39"<br>99cm  | 2"<br>5cm |
| 10136 to 10138  | 35" 3-Step Ladder with .065", .109", .145" tubing | 46, 70, 86 lbs<br>20, 32, 39kg  | 76"<br>193cm | 40"<br>102cm | 2"<br>5cm |
| 10139 to 10141  | 35" 4-Step Ladder with .065", .109", .145" tubing | 52, 78, 94 lbs<br>24, 35, 43kg  | 76"<br>193cm | 40"<br>102cm | 2"<br>5cm |
| 10142 to 10144  | 35" 5-Step Ladder with .065", .109", .145" tubing | 58, 84, 102 lbs<br>26, 38, 46kg | 76"<br>193cm | 40"<br>102cm | 2"<br>5cm |

Notes:

- Frames extend 5½" from the pool wall. Frame is secured to the pool deck with two anchor sockets on 20" centers. The lower end of the frame is bent to meet the pool wall and fitted two white rubber bumpers (WRB-100A for 1.90" and WRB-102A for 1.50").

\* Example 10109=.065", 10110=.109", 10111=.145" tubing