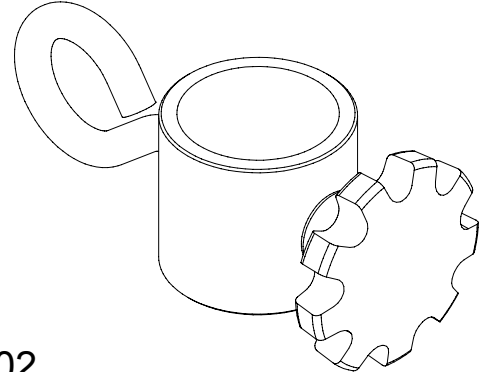
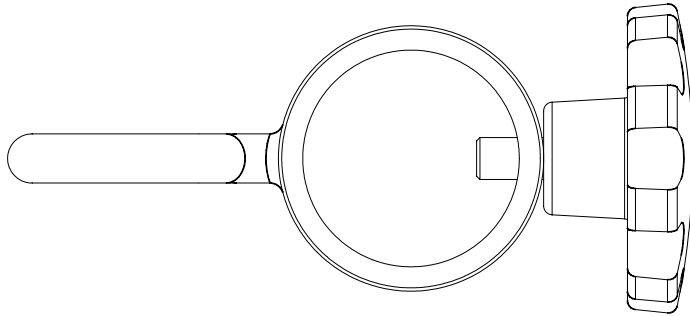
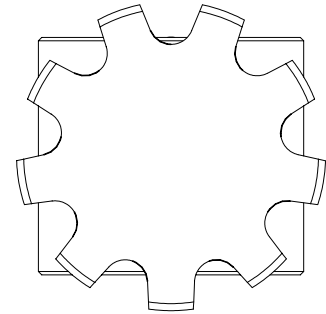
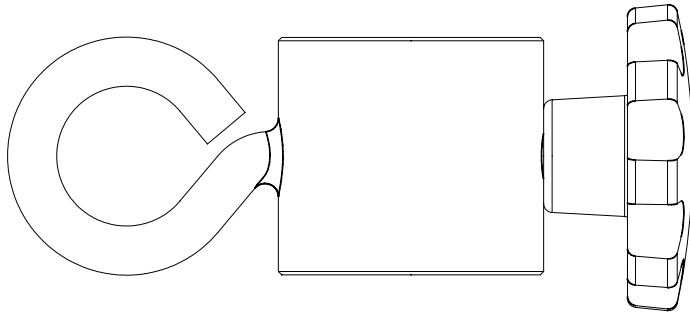


Sliding Collar



35-102



Specification: The Sliding Collar Assembly is specially designed to allow height adjustment for starting flags on stanchions. The assembly consists of a housing constructed of 2 3/8" (60.3mm) O.D. with .22 (5.5mm) wall, stainless steel tubing welded onto a stainless steel eye with an 1 1/4" (49.2mm) I.D. The collar is threaded and comes with an aluminum hand knob for tightening.

Shipping weight: 2.0lbs. [.91kg.]

Specification Number:	SRS-804		
Product Description:	Sliding Collar Assembly		
S.R. Smith Part Number:	35-102	Scale:	NTS
Revision:	A	Date:	04/07/04
Written By:	J. Pilon	Date:	04/07/04
Approved By:	B. Bisceglia	Date:	04/07/04
Page 1 of 1	Proprietary and confidential: The information contained in this specification is the sole property of S.R. Smith LLC. Any reproduction in part or whole without the written consent of S.R. Smith LLC is prohibited.		

S.R. Smith, LLC
P.O. Box 400, 1017 SW Berg Parkway
Canby, Oregon 97013
Tel: (888) 677-7776 (503) 266-2231
Fax: (503) 266-4334
www.srsmith.com