



Slide Away™

For children
up to 125 lbs.



OWNER'S MANUAL

ASSEMBLY AND SET-UP INSTRUCTIONS

⚠ WARNING

S.R.SMITH SLIDEAWAY SLIDES ARE MANUFACTURED FOR INSTALLATION AND USE ON RESIDENTIAL INGROUND SWIMMING POOLS ONLY. THE SLIDEAWAY IS NEVER TO BE INSTALLED AND USED ON ABOVEGROUND POOLS, ONGROUND POOLS, HOUSEBOATS, BOAT DOCKS, FLOATING DOCKS OR PLATFORMS OR OTHER BODIES OF WATER SUCH AS LAKES, PONDS, RIVERS, ETC.

Contents

INTRODUCTION 3

WARNINGS AND SAFETY SUMMARY 4

INTENDED USE INSTRUCTIONS 5

STRUCTURAL & INSTALLATION CHECKLIST. 6

ASSEMBLY AND INSTALLATION 7

ASSEMBLED SLIDEAWAY™ LAYOUT 8

PARTS LIST 9

SLIDE ASSEMBLY INSTRUCTIONS 10

SLIDE SETUP INSTRUCTIONS 11

HOSE ASSEMBLY INSTRUCTIONS 13

WARRANTY & PRODUCT REGISTRATION INFORMATION . . . 16

INTRODUCTION



DANGER – FAILURE TO FOLLOW THESE WARNINGS, INSTRUCTIONS, AND THE OWNER'S MANUAL MAY RESULT IN SERIOUS INJURY OR DEATH.

The SlideAway™ is designed and manufactured for installation and use on residential inground swimming pools only. Do not install this slide on above ground pools, houseboats, boat docks, floating docks or platforms, or other bodies of water such as lakes, ponds, rivers, etc. Proper assembly, installation, use, and supervision are essential for proper operation and to reduce the risk of serious injury or death.

All national and local building codes must be followed. This includes any applicable requirements for size of concrete footing, overall height of slide, and bonding or electrical codes.

Check inside all boxes and packaging materials for parts. Before beginning assembly, read all instructions and identify parts using the figures and parts listed in this document. It is critical that all parts be carefully inspected by the installer prior to installation to ensure that no damage occurred in transit and that a damaged part is not used. Proper installation cannot be overstressed, improper installation voids S.R.Smith's warranty and may affect the safety of the user.







Installer must give the slide owner the SlideAway™ Owner's Manual, and answer all questions regarding safe and proper use and slide maintenance.




Visit **SlideAway.com** for an Installation Video and FAQ to ensure the proper set-up and use of your SlideAway™

WARNINGS AND SAFETY SUMMARY

DANGER-FAILURE TO FOLLOW THESE WARNINGS, INSTRUCTIONS AND THE OWNER'S MANUAL MAY RESULT IN SERIOUS INJURY OR DEATH.

 CAUTION	• 125 LBS (56.7 KG) WEIGHT LIMIT • ONLY ONE PERSON AT A TIME LOOK OUT FOR PEOPLE AND OBJECTS BELOW	
 WARNING		
CORRECT SITTING SLIDE	SLIDE FEET & ARMS FIRST IN SEATED POSITION	
 DANGER		• DO NOT SLIDE HEAD FIRST • SERIOUS INJURY (PARALYSIS) CAN RESULT IF HEAD STRIKES BOTTOM

 WARNING	<ul style="list-style-type: none"> • CHILDREN ONLY - 125 LB (56.7 KG) WEIGHT LIMIT • CHILDREN MUST BE SUPERVISED BY AN ADULT AT ALL TIMES • INGROUND SWIMMING POOL USE ONLY • MINIMUM WATER DEPTH 4-1/2 FEET (1.37m) • WATER LEVEL MUST BE FILLED TO FILL LINE • CHECK WATER LEVEL DAILY BEFORE USE • SLIDE EXIT ALIGNMENT LINE MUST BE DIRECTLY ABOVE OR OVERHANGING POOL EDGE • DO NOT STAND ON OR DIVE FROM THIS SLIDE • DO NOT USE IF PHYSICALLY IMPAIRED • MISUSE CAN CAUSE SERIOUS INJURY
	<p>S.R. SMITH LLC P.O. BOX 400 1017 S.W. BERG PARKWAY CANBY, OREGON 97013 srsmith.com</p>

WARNING
RED LINE MUST BE ALIGNED WITH OR OVERHANG POOL EDGE.
FAILURE TO POSITION SLIDE IN PROPER LOCATION COULD LEAD TO SERIOUS INJURY OR DEATH

06-861 MAY 2018

 DANGER	
	DO NOT SLIDE HEAD FIRST

HEAD FIRST SLIDES ARE STRICTLY PROHIBITED

TO REDUCE THE POSSIBILITY OF INJURY, IT IS NECESSARY THAT THE USER KNOW THAT THE CHIEF DANGER OF HEAD FIRST SLIDING IS SERIOUS SPINAL INJURY. INJURIES TO THE SPINE MAY RESULT IN TEMPORARY OR PERMANENT PARALYSIS OR EVEN DEATH. RESEARCH STUDIES HAVE SHOWN THAT YOU CANNOT RELY ON THE WATER TO SLOW YOU DOWN SUFFICIENTLY TO AVOID INJURY.

INTENDED USE INSTRUCTIONS

WARNING

READ AND FOLLOW ALL SAFETY RULES LISTED BELOW.

MAKE SURE THAT EVERYONE WHO USES THE SLIDEAWAY KNOWS AND FOLLOWS ALL RULES.

CHILDREN MUST BE SUPERVISED BY AN ADULT AT ALL TIMES WHEN USING THE SLIDE.

The SlideAway™ slide is designed and manufactured for installation and use on residential inground swimming pools only. Do not install the SlideAway™ slide on above ground pools, houseboats, boat docks, floating docks or platforms, or other bodies of water such as lakes, ponds, rivers, etc. Proper assembly, installation, use, and supervision is essential for proper operation and to reduce the risk of serious injury or death.

1. The SlideAway™ slide must be placed on the pool in a location that meets the requirements of manufacturer's placement instructions on pages 13, 14, and 15.
2. The SlideAway™ slide ladder must be filled to the minimum water fill line when the slide is in use. The water level must be checked daily to make sure the water is at the correct level.
3. SlideAway™ support brace must be installed when the slide is in use.
4. Slide feet first only as shown in **Figure 1**. Do not slide head first.
5. Only one person allowed on the slide at a time with a maximum user weight of 125 lb (56.7 Kg).
6. Adult supervision required at all times when children are using the slide.
7. Hold onto handrails at all times when using the ladder.
8. No roughhousing or horseplay on slide.
9. Do not jump or dive from any part of the slide.
10. Familiarize yourself with the shape of the pool bottom and the water depth before you slide.
Slide feet first only.
11. Do not slide until all submerged obstacles, surface objects or other swimmers are clear of the slider's pathway.
12. Do not use the slide while under the influence of alcohol or drugs.
13. Don't slide alone; use the buddy system.
14. Take your time in preparing to slide. Move forward slowly and get yourself positioned properly before starting the slide.
15. Only persons healthy enough for water activities should use the slide. Persons with medical conditions, including pregnancy, should consult their doctor before using the slide. Persons with physical disabilities should use caution and may require assistance.
16. Do not use the slide if any part of it becomes damaged, weakened, or broken. Have the slide inspected and, if necessary, repaired by a pool professional, who is familiar with water slides before using the slide. See installed slides' structural & installation checklist.

PROPER SLIDING POSITION

Slide users must use the sitting slide position, facing forward, feet first as shown in **Figure 1**.



Figure 1

STRUCTURAL & INSTALLATION CHECKLIST

After installation and prior to the first use of the SlideAway™ and periodically (see DAILY/WEEKLY MAINTENANCE OF THE SLIDEAWAY™) thereafter the owner must:

1. Inspect the runway for visible cracks or tears.
2. Inspect the ladder for sharp edges, protrusions, cracks or tears.
3. Inspect slide assembly for loose corroded fasteners.
4. Measure the following dimensions and compare with the manufacturer's placement instructions on pages 13, 14, and 15.
5. Pool water depth at the base of the slide should be at least 3' (914 mm) deep, and at 4'6" (1372 mm) out from slide exit, should be at least 4'6" (1372 mm) deep.
6. The height of the slide runway exit above the water should be 20" (508 mm) maximum.
7. The distance between the slide centerline and the edge of other pool equipment should be at least 3'6" (1067 mm).
8. Observe the position of the exit of the slide as shown in **Figures 8, 9 and 10** on pages 13 and 14.
9. Read, understand and enforce all safety and use instructions on the slide.

DAILY/WEEKLY MAINTENANCE OF THE SLIDEAWAY™

1. When hosing down the deck, hose your SlideAway™ to wash away any dust, dirt or other debris, which may have accumulated.
2. Be sure that all connections are secure. Tighten hardware if necessary.
3. Polyethylene parts require little maintenance. Hose and wipe to clean.
4. While cleaning slide, check and see that all nuts and bolts are tight and secure.
5. Inspect the runway for visible cracks or tears, sharp edges and protrusions.
6. Inspect all attachment points for loose or corroded fasteners.
7. Inspect all ladder tread or step-attachment points for evidence of shear, bending yield, or fatigue in the ladder steps, rails, or attachments means. Yield is evidenced by crystallization or fine cracking of the ladder tread and/or surface.
8. Inspect the ladder handrails for rigidity and attachment.

APPLICABLE STANDARDS AND CODES

The installation of the SlideAway™ must comply with all applicable governmental and building codes.

ASSEMBLY AND INSTALLATION

All S.R.Smith SlideAway™ slides are inspected prior to shipment from the factory. Proper assembly, installation, and placement is mandatory. Improper assembly and installation voids S.R.Smith's warranty and may affect the safety of the user. It is the installer's responsibility to ensure the structural integrity of the concrete pad prior to installation of the slide.

DRAWINGS

All drawings in this Slide Owner's Manual are for illustration purposes only and are NOT TO SCALE.

SUBSEQUENT OWNERS

The Owner's Manual must remain with the owner of the slide. If the owner changes, the Owner's Manual shall be brought to the attention of the new owner.

ASSEMBLED SLIDEAWAY™ LAYOUT

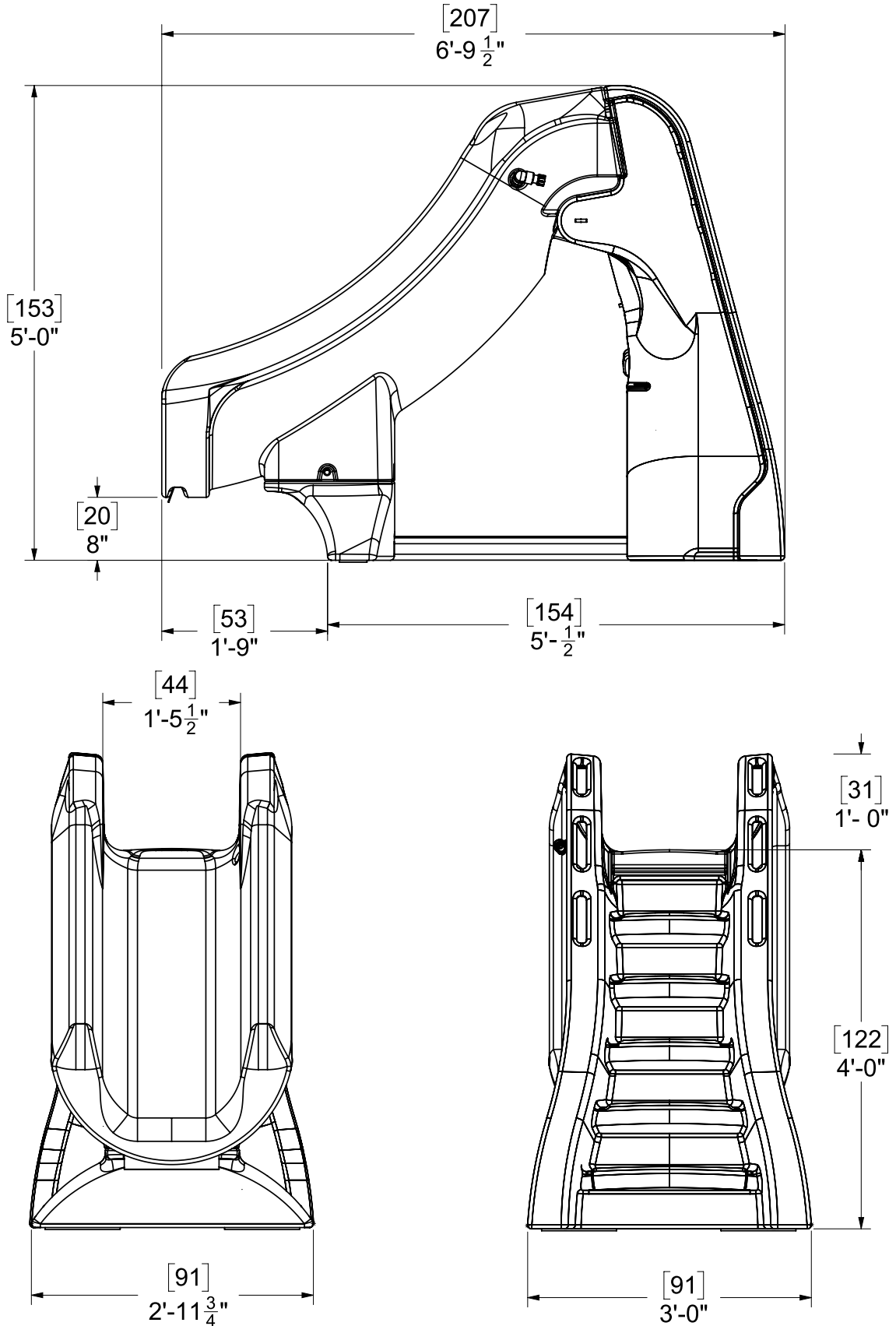


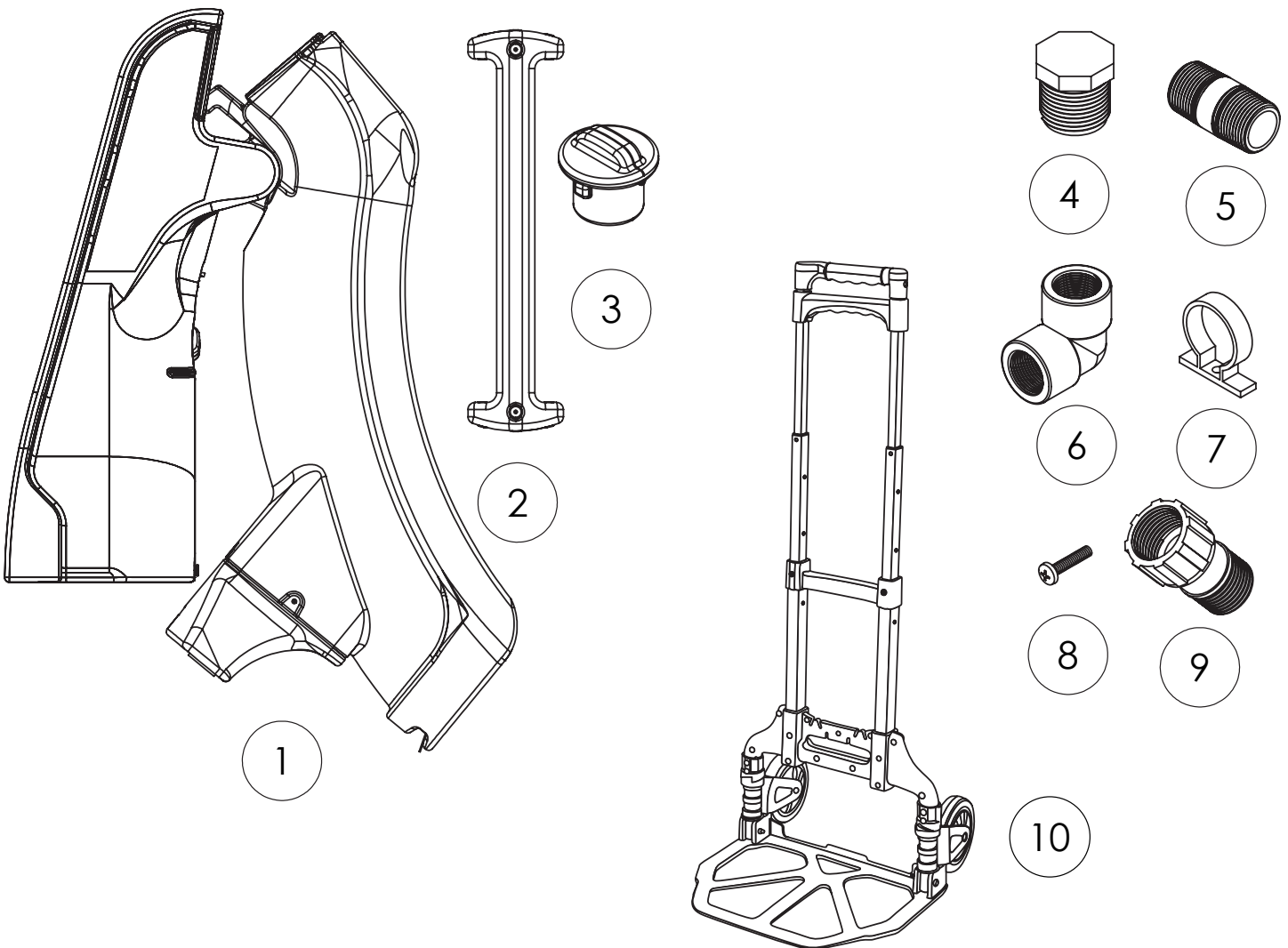
Figure 2

PARTS LIST

ITEM #	PART #	DESCRIPTION	QUANTITY
1	660-209-58XX-A	SLIDEAWAY™ SLIDE ASSEMBLY	1 ea.
2	660-209-58XX-C	SLIDEAWAY™ SUPPORT BRACE	1 ea.
3	660--209-58XX-D	SLIDEAWAY™ WATER CAP	1 ea.
10	40-1000	Dolly	1 ea.
Hose Assembly Kit Parts List (Kit will be found attached to the Dolly)			
4	05-715	PVC Plug SCH 80 ¾" NPT	2 ea.*
5	05-711	PVC Nipple SCH 80 ¾" x 2"	1 ea.
6	05-796	¾" 90 Degree Elbow	1 ea.
7	05-713	¾" Hose Clip	3 ea.*
8	05-642	Hose Clip Screw, #8 X 1.5" 18-8 SS	3 ea.*
9	05-797	Garden Hose Swivel Adapter	1 ea.

XX (SlideAway Color Code) = 10 (Taupe) or 20 (Gray)

* In case any parts are misplaced, we have conveniently included one extra part of these items. Visit srsmith.com for additional replacement part information.



SLIDE ASSEMBLY INSTRUCTIONS

Prior to starting assembly, check and make sure that all Hose Assembly Components (#'s 4-9) listed on the parts list on page 9 are included in the package (you may locate them attached to the dolly).

Assembly Steps

1. Place the provided dolly under the bottom step of the ladder as shown in **Figure 3**.
2. Once dolly is in place, use your foot to ensure that the dolly is firmly positioned in place (see **Figure 4**).
3. Using both hands, as shown in **Figure 5**, grab the ladder handles and slowly begin leaning the SlideAway™ towards you to transfer the weight of the slide onto the dolly wheels, enabling you to roll the slide to the desired location.
4. Once you have rolled the SlideAway™ into the desired location, place your foot back onto the base of the dolly to secure it and carefully lean the SlideAway™ back up until it is free-standing again.
5. Remove the dolly and store it away until you are ready to move your SlideAway™ off of the pool deck.
6. To insert brace, slightly lean SlideAway to one side using the ladder handles as shown in **Figure 6**. Slide the brace under the slide and lock firmly into place (**Figure 7**).

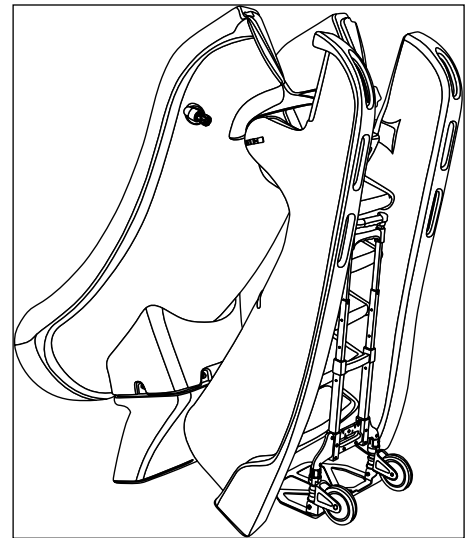


Figure 3

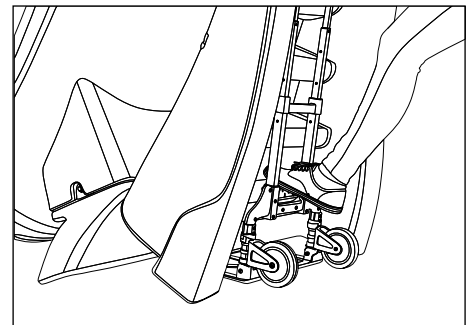


Figure 4

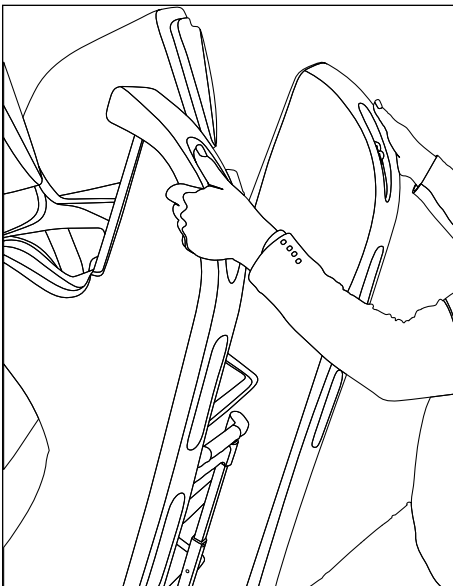


Figure 5

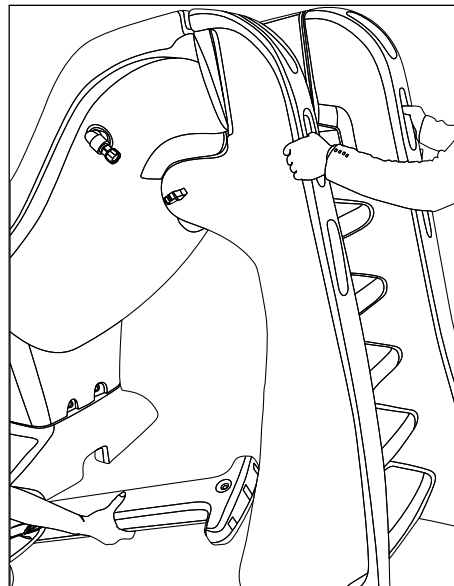


Figure 6

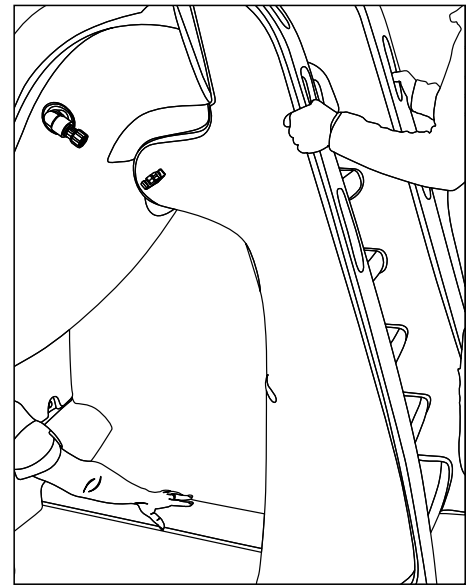


Figure 7

SLIDE SETUP INSTRUCTIONS

1. Place the assembled slide on the deck in a location that meets the requirements detailed in Manufacturer's Placement instructions on pages 13, 14 and 15. The Slide may be angled slightly providing all dimensions are maintained as noted in the Manufacturer's Placement Instructions. **The red lines on the sides of the runway exit warning label must be aligned with, or overhanging the edge of the pool (Figure 13).**
2. **Once the slide is in the proper location on the deck, the support brace must be installed and the ladder must be filled with water to provide stability to the slide prior to use.**
3. Insure proper installation of the support brace as instructed in **Slide Assembly Instructions** on page 10 (see **Figures 6 and 7**). The support brace must be installed prior to filling the ladder with water.
4. **The slide must not be used unless the ladder is filled with water up to the minimum fill line, see Figure 12.**
5. Install the plug (4) into the drain hole shown in **Figure 12**. It is recommended to use a thread sealant or Teflon tape on the threads to prevent leaking. To fill the ladder with water, remove the fill cap (3) by turning counter clockwise and pulling outward to remove. Remove the cap and fill ladder base with water up to the minimum fill line. Replace the cap by inserting into the hole and turning clockwise to lock into place.
6. Once the ladder is filled with water the slide cannot be moved. To remove the water from the ladder, unscrew the plug and allow to drain.

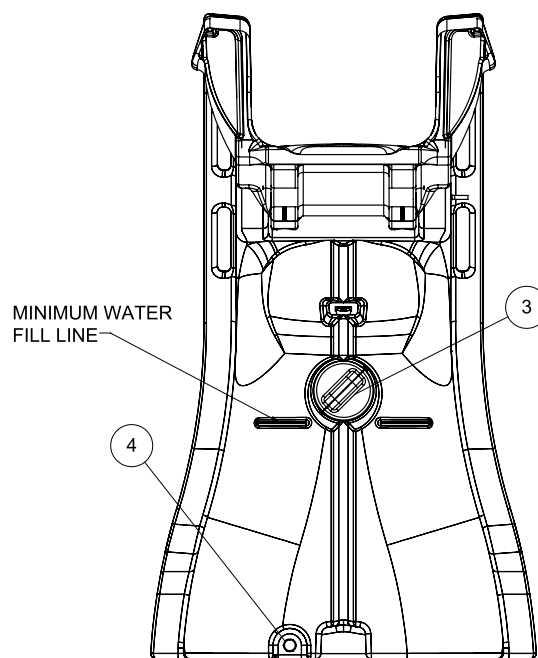


Figure 12

MANUFACTURER'S PLACEMENT INSTRUCTIONS

PROPER ASSEMBLY, INSTALLATION, USE, AND SUPERVISION ARE ESSENTIAL FOR PROPER OPERATION AND TO REDUCE RISK OF SERIOUS INJURY.

1. The critical dimensions for placement of the SlideAway™ are shown in **Figures 13, 14 and 15**.
 - A. The red lines on the sides of the runway exit must be aligned with, or overhanging the pool edge, see **Figure 13**.

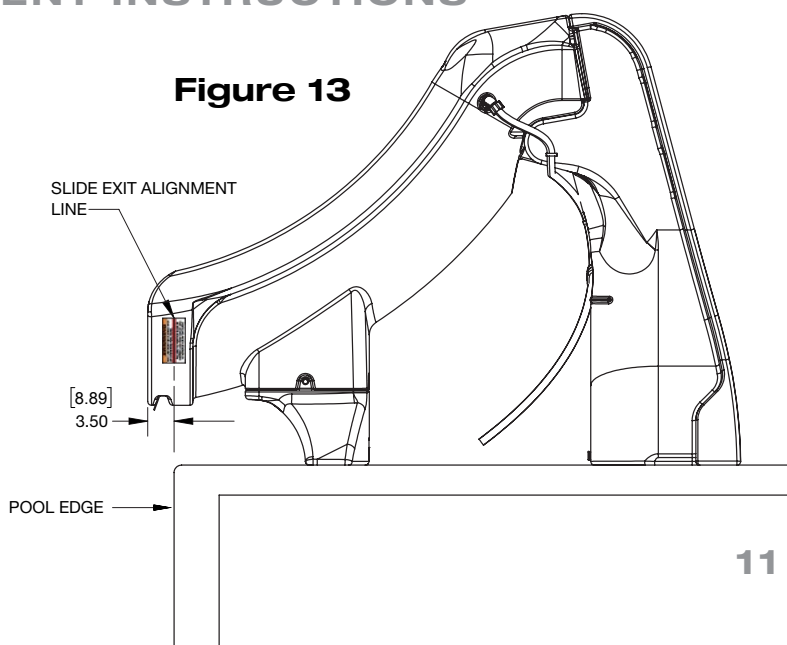


Figure 13

B. The slide exit runway surface shall not exceed 20" (51 cm) above the water surface as shown in **Figure 14**.

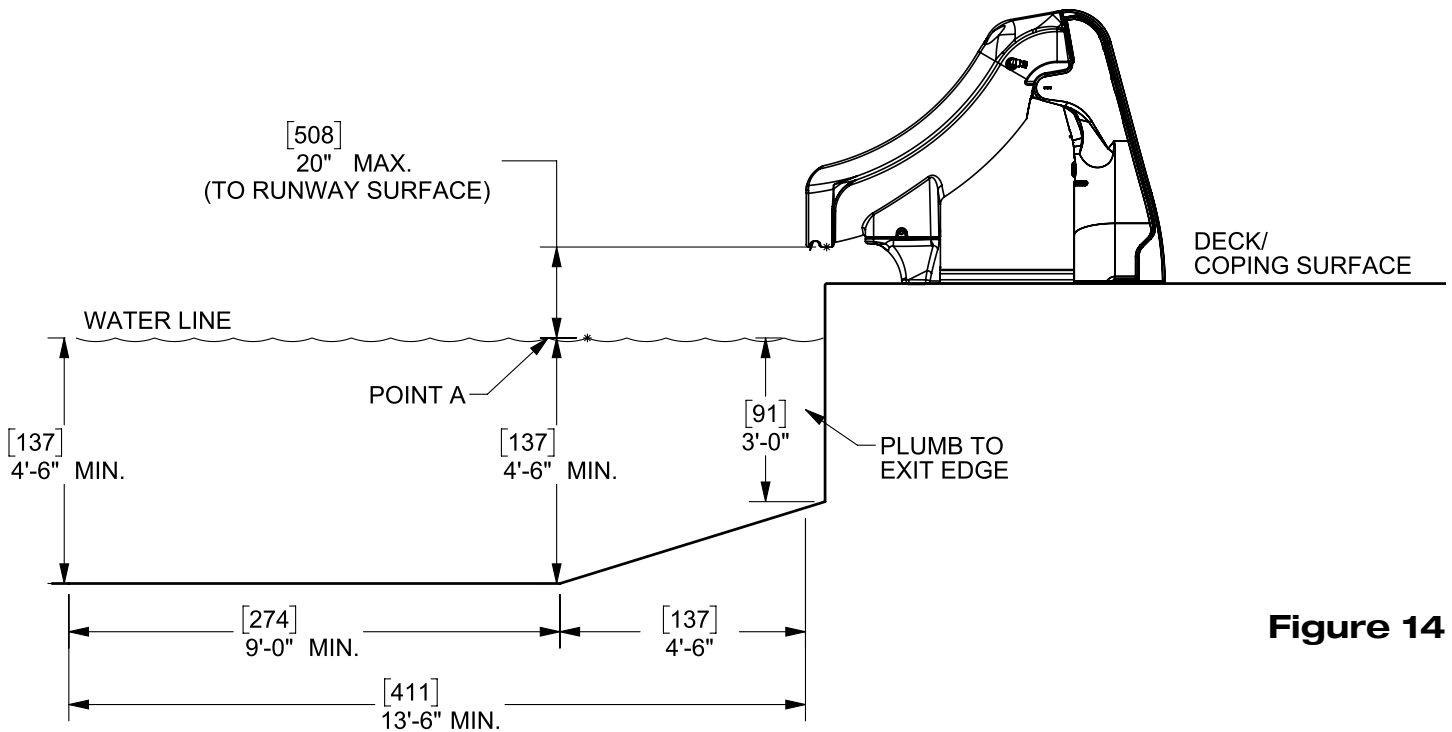


Figure 14

C. The slide shall be positioned so that all water flowing off the runway exit drops into the pool. The recommended overhang is 3.5" (9 cm) minimum.

D. The minimum depth of water below the exit lip of the slide shall be 3' (91 cm) and increase to 4'6" (137 cm) at Pt. A, which is a distance of 4'6" (137 cm) from the exit lip of the slide as shown in **Figure 14**.

E. A minimum depth of 4'6" (137 cm) shall be maintained at a distance of 9' (274 cm) along the extended centerline of the slide from Pt. A, as shown in **Figure 14**.

2. A minimum clearance area in front of the slide shall always be maintained as follows:

A. The minimum clearance distance on either side of the extended centerline of the slide runway shall not be less than 3'6" (107 cm) at a point no less than 2'6" (76 cm) from the exit lip of the slide and extending a distance of 13'6" (411 cm) in front of the slide as shown in **Figure 15**.

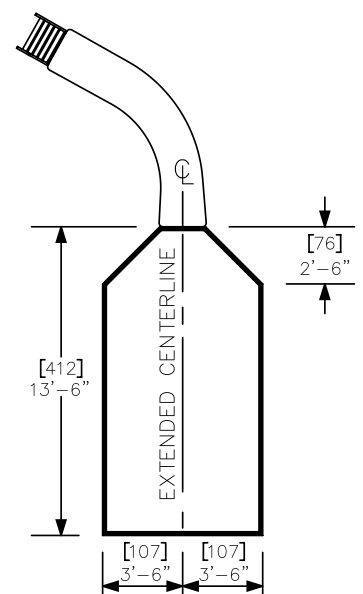


Figure 15

SLIDE
MINIMUM CLEARANCE AREA

HOSE ASSEMBLY INSTRUCTIONS

Tools Required (not included)

Phillips head screwdriver

Teflon tape or thread sealant

Assembly Steps

1. Thread the nipple (5) into 90° elbow (6) as shown in **Figure 8**. It is recommended to apply a thread sealant or Teflon tape to the threads to prevent leaking.
2. Install assembled nipple (5) and elbow (6) into the threaded hole in the left side of the runway.
3. Turn the assembled nipple (5) and elbow (6) until the open end of the elbow fitting is pointing back toward the bottom of the stairs as shown in **Figures 9** and **11**.
4. Install the garden hose thread adapter (9) into the open end of the elbow fitting (6) as shown in **Figure 8**. It is recommended to apply a thread sealant or Teflon tape to the threads to prevent leaking.

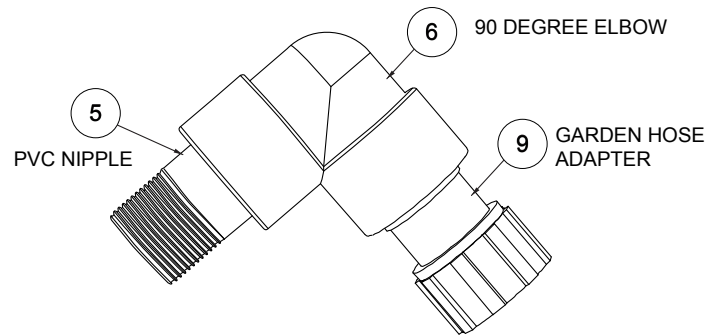


Figure 8

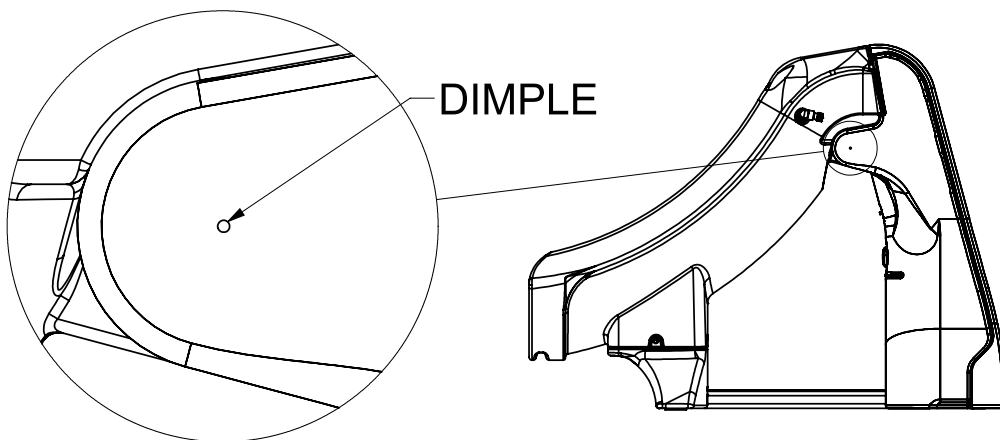


Figure 9

5. Locate the dimple on the left side of the ladder as shown in **Figure 9**. Place the hose clip screw (8) through the hole in the hose clip (7). Align the screw with the dimple in the ladder, and install the screw into the ladder side wall. Tighten until snug making sure not to overtighten the screw.
6. Install the second hose clip in the recess on the back side of the ladder shown in **Figure 10**.

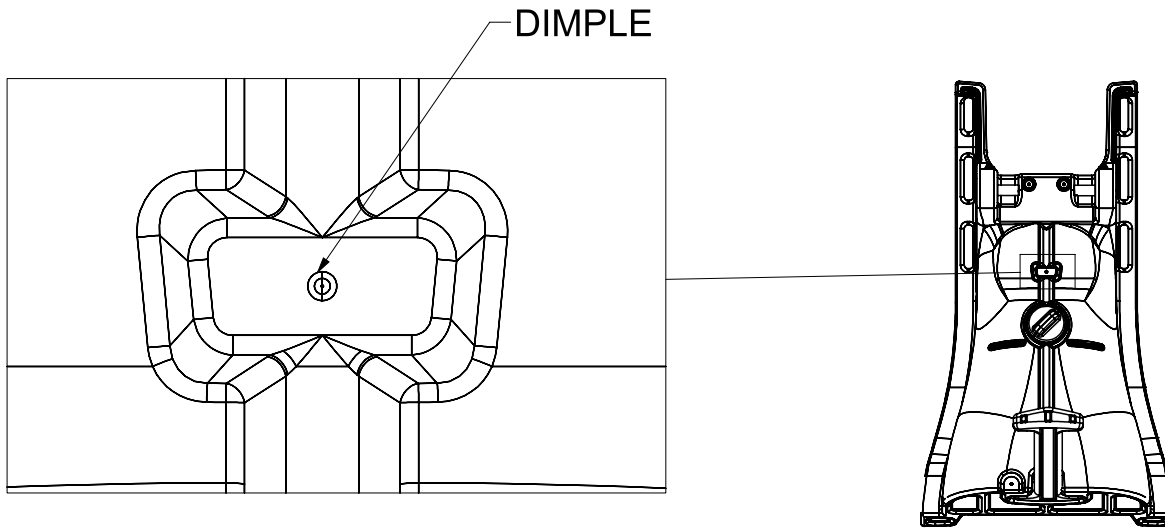


Figure 10

7. Attach the water supply hose to the garden hose adapter.
8. To place the hose into the hose clips, open the hose clip and place the hose within the jaws of the clip. Hold the hose above and below the clip and push the hose firmly towards the back of the clip until the jaws lock together.
9. Turn on the water and adjust the flow rate as required.

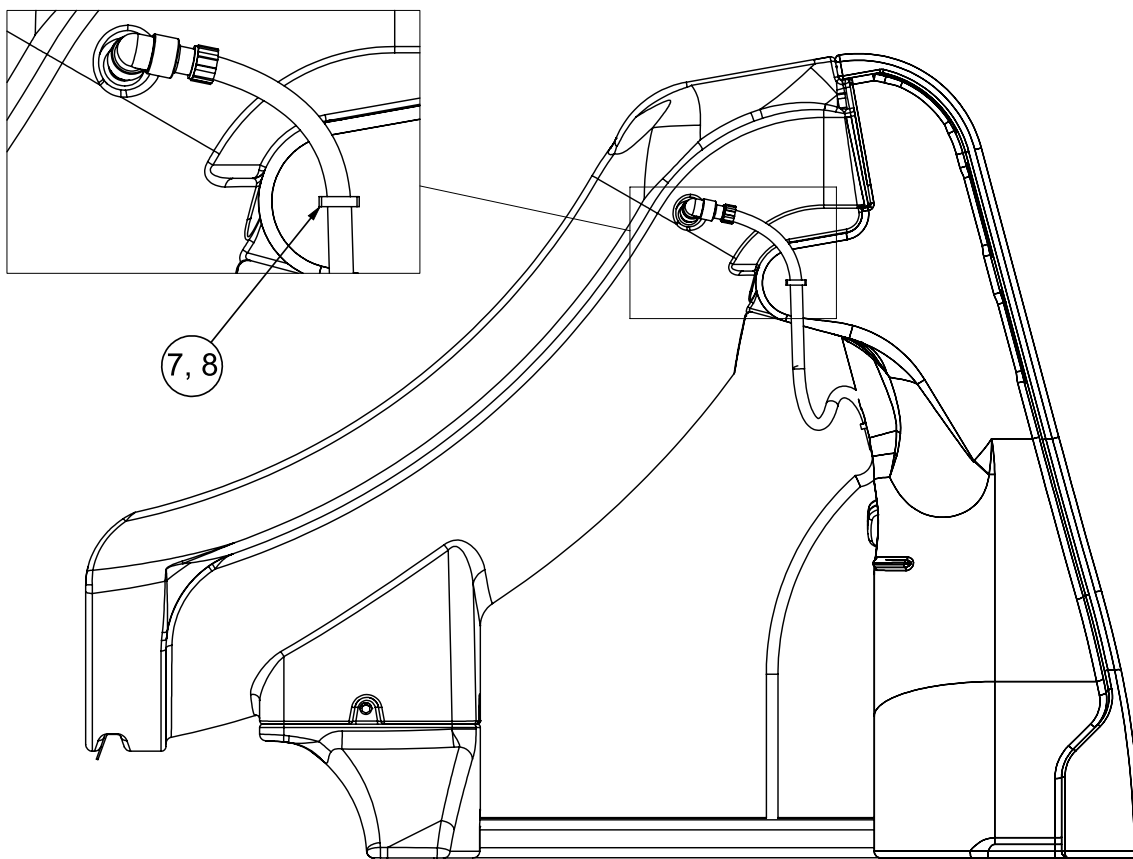


Figure 11

MANUFACTURER'S PLACEMENT INSTRUCTIONS FOR POOLS WITH DIVING BOARD ALREADY INSTALLED

The minimum clearance area in front of a properly installed diving board on an inground swimming pool is a minimum distance of 3'6" (107 cm) on either side of the board's centerline as shown in **Figure 16**. Pt. C extends a minimum distance of "C" from the tip end of the board as shown in Table I and **Figure 16**. The width distance "W" on either side of Pt. C is given in Table I and shown in **Figure 16**.

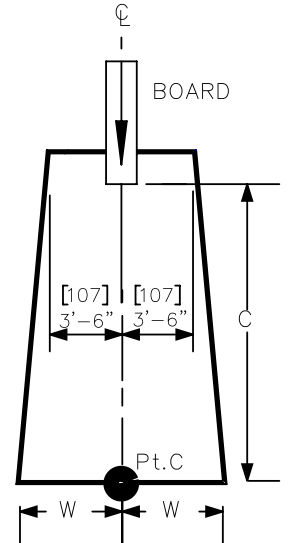
Board Minimum Clearance Area		
Pool Type	"C" Dimension	"W" Dimension
I	14' -6" (442 cm)	5' -0" (152 cm)
II	14' -6" (442 cm)	6' -0" (183 cm)
III	16' -6" (503 cm)	6' -0" (183 cm)
IV	18' -6" (564 cm)	7' -6" (229 cm)
V	21' -0" (640 cm)	7' -6" (229 cm)

Table I

See Article 5 contained in ANSI/APSP/ICC-5 2011 STANDARD FOR RESIDENTIAL INGROUND SWIMMING POOLS and refer to FIGURE 3 and Table I for Minimum Water Envelope Dimensions AB, BC and Width at Point C.

"C" DIMENSION FOR BOARD = AB + BC

"W" DIMENSION FOR BOARD = WIDTH AT PT. C



SLIDE
MINIMUM CLEARANCE AREA

The minimum clearance area of a slide or diving board shall not intersect any coping or rope and float line as shown in **Figure 17**.

The minimum clearance area of a slide or diving board may intersect each other provided that they are not used simultaneously.

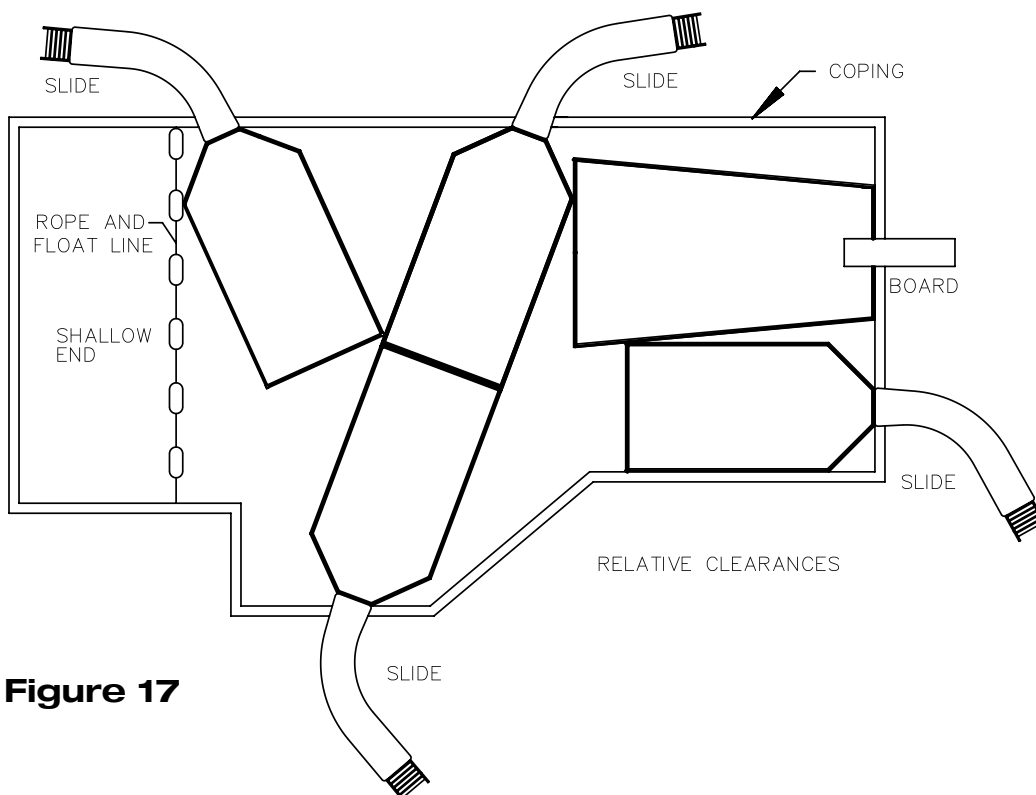


Figure 17

WARRANTY & PRODUCT REGISTRATION INFORMATION

For warranty information and details, please visit

www.srsmith.com/en-us/customer-service/warranty-information/

Register your S.R.Smith product at www.srsmith.com/en/customer-service/product-registration



S.R.Smith, LLC
United States | **800.824.4387**
Australia | **07.3812.2283**

srsmith.com