

Salt Pool Jump System



Resist corrosion with this new low-profile fiberglass-backed stand and composite spring assembly designed to perform well even in harsh pool environments.

- 6' or 8' lengths
- Available in three designer colors to match your backyard décor
- Stainless steel hardware for added corrosion resistance
- Can be retrofitted onto existing 606/608 Cantilever jigs



Salt Friendly Jump Stand with Frontier III Board

Model No.	Size	Color	Shipping (3 boxes)			
			Weight	Length	Width	Height
68-211-5962	6'	White	27 lbs 12kg	25" 64cm	20" 51cm	11" 28cm
68-211-59610	6'	Taupe	10 lbs 4kg	40 102cm	5" 13cm	3" 8cm
68-211-59620	6'	Pewter Gray	52 lbs 24kg	74" 188cm	20" 51cm	3" 8cm
68-211-5982	8'	White	27 lbs 12kg	25" 64cm	20" 51cm	11" 28cm
68-211-59810	8'	Taupe	14 lbs 6kg	48 122cm	5" 13cm	3" 8cm
68-211-59820	8'	Pewter Gray	70 lbs 32kg	98" 249cm	20" 51cm	3" 8cm

Note:

- Salt Pool Jump System springs and bases cannot be interchanged with other S.R.Smith springs and bases

Stand & Spring Colors



RADIANT WHITE



TAUPE



PEWTER GRAY

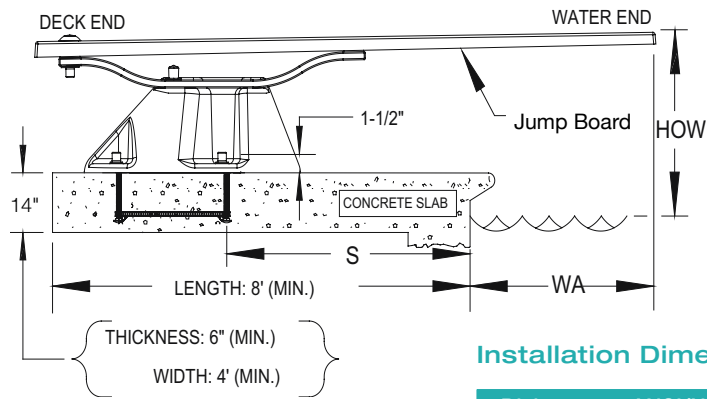
Due to printing technology actual color may differ.

All installations must comply with all applicable local and national codes and installation must be completed in accordance with S.R.Smith installation instructions.

Compatible with:



Frontier III Board

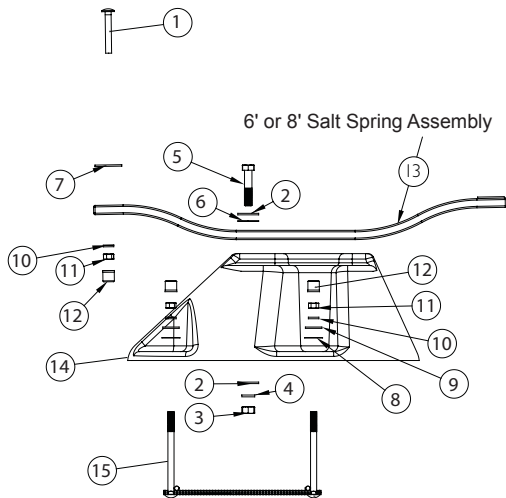


Installation Dimensions

Diving Board Size	ANSI/NSPI-5 Pool Type	Distance for setting front bolt of jig from water's edge (S)**	Minimum overhang (WA)*	Maximum height of board above water (HOW)
6'	I	32"	18"	20"
	II	32"	18"	20"
	III	26"	24"	26"
	IV	20"	30"	30"
	V	14"	36"	40"
8'	III	45"	24"	26"
	IV	39"	30"	30"
	V	33"	36"	40"

*S and WA dimensions are valid only in conjunction with minimum depth at point A

**When coping is used do not set front bolts of jig closer than 3" from the back edge of the coping



Key	Part No.	Description	Kit A	Kit B
A	69-209-125	Salt Pool Spring Bolt Kit		
B	69-209-126	Salt Pool Stand Hardware Kit (add -TP or -PG for colors)		
1	05-31-171	1/2" x 3 1/2" Carriage Bolt	•	
2	05-631	5/8" x 1 3/4" Flat Washer	•	
3	05-31-159	5/8" Hex Nut	•	
4	05-31-157	5/8" Lock Washer	•	
5	05-31-155	5/8" x 3" Hex Head Bolt	•	
6	05-31-158	5/8" x 1 3/4" Nylon Protective Washer	•	
7	8-556	2 1/4" Square Rubber Spring Pad	•	
8	05-616	1/2" x 1 1/2" Round Nylon Washer		•
9	05-14-132	1/2" x 1 3/8" Flat Washer		•
10	05-14-115	1/2" Lock Washer		•
11	05-14-116	1/2" Hex Nut		•
12	05-618	1/2" Plastic Nut Cap, White		•
	05-618-10	1/2" Plastic Nut Cap, Taupe		
	05-618-20	1/2" Plastic Nut Cap, Gray		
13	69-209-662	6' Salt Spring, White		
	69-209-6610	6' Salt Spring, Taupe		
	69-209-6620	6' Salt Spring, Gray		
	69-209-682	8' Salt Spring, White		
	69-209-6810	8' Salt Spring, Taupe		
	69-209-6820	8' Salt Spring, Gray		
14	69-209-62	Salt Pool Jump Stand, White		
	69-209-62A	Salt Pool Jump Stand, White, without jig		
	69-209-610	Salt Pool Jump Stand, Taupe		
	69-209-620	Salt Pool Jump Stand, Pewter Gray		
15	69-209-006-SS	Jig w/ 6" bolts		
	69-209-010-SS	Jig w/ 9" bolts		
	69-209-011-SS	Jig w/ 10" bolts		