

Residential Ring



- Tubing: 1.625" OD
- Wall Thickness: .049"
- Type: 304, 316L* stainless steel
- Powder Coating available, escutcheons not included

Model #	Description	Shipping Wt.	L	W	H
RRH-100A	Pair of Rails with aluminum anchor	16 lbs. (2 boxes)	32" 24"	22" 8"	4" 5"
RRH-100B	Pair of Rails with bronze anchor	18 lbs. (2 boxes)	32" 24"	22" 8"	4" 5"

Components

34-305A	Aluminum Anchor, Complete	10 lbs.	24"	8"	5"
34-306A	Bronze Anchor, Complete	13 lbs.	24"	8"	5"
8-415A	Gibraltar Wedge Retro Fit Kit	1 lb.	6"	3"	1"
8-420	Double Escutcheon Plate	1 lb.	6"	3"	1"
8-420-CP	Double Escutcheon Plate, Chrome	1 lb.	6"	3"	1"

*Marine Grade, add – MG to part number when ordering. REQUIRED for Salt Pools.

For powder coated add –RG for Rock Gray, –PW for White, or –TP for Taupe to the part number when ordering.

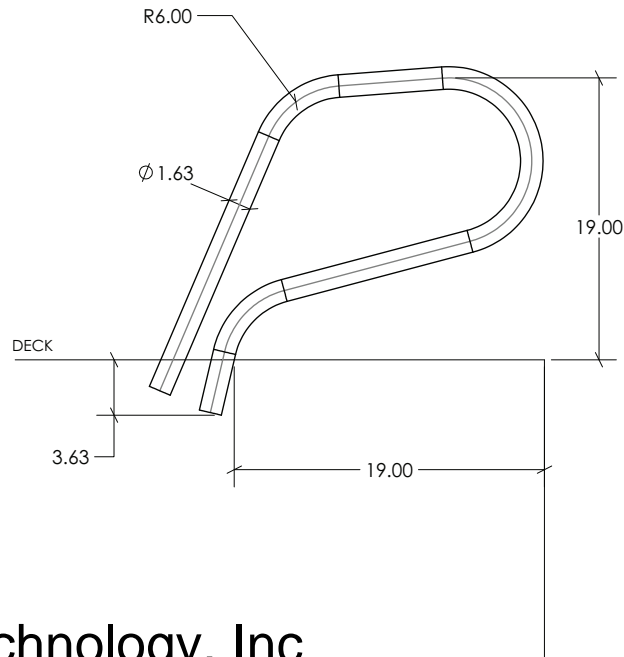
Powder Coated Colors

Pearl White

Rock Gray

Taupe

Actual product colors may vary



Aquatic Technology, Inc
800-446-6416