

SRSmith®

effortless illumination

P O O L L I G H T I N G

LED lights



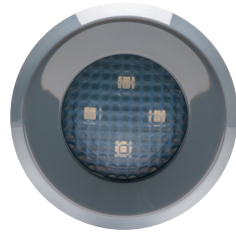
Reliable LED technology, flexible performance and energy efficient designs.



Mod-Lite™

Safe, submersible wireless power for pools and spas

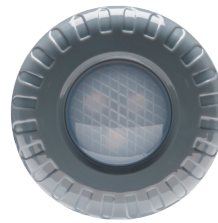
- Low-profile wireless design
- 7 Watt, 12VAC
- RGB LED Light
- 80' or 150' cord length options



Treo™

Serviceable return fitting light for pools, spas and water features

- Field-replaceable lamp
- 5 Watt, 12VAC
- RGB or White Only LED Light
- 30', 50', 80' or 150' cord length options
- Fiberglass pool model available (FG Series)



kēlo™

Low-profile return fitting light for pools, spas and water features

- Low-profile design
- 7 Watt, 12VAC
- Color RGB LED Light
- 80' or 150' cord length options



micro

Accent light for water features, steps, and shelves

- Compact design
- 2 Watt, 12VAC
- RGB or White Only LED Light
- 30', 50', 80' or 150' cord length options

Transformers / Lighting Controls



Lighting control power units designed for safety, durability and hassle-free performance.



Premier

Custom Lighting Control Power Unit

- Integrated control switches
- Wireless remote
- 49 custom color options
- 4 Dimming Levels (via Wireless Remote)
- 70W (7W per channel)
- Works exclusively with S.R.Smith Lights



Plus2

Wireless Lighting Transformer

- Integrated control switch
- Wireless remote
- 60W or 100W options (Plus)
- 1 or 2-zone control (Plus2)
- 120W total- 60W per zone (Plus2)

Plus



Power

Lighting Transformer

- Integrated control switch
- 60W or 100W options

Fiber Optic Lighting



Star Feature Kits

Transform the night with LED-illuminated Fiber Optic Lighting.

S.R.Smith offers two pre-configured Star Feature Kits in 25 or 50-points of light bundles that add amazing depth and richness to your pool designs.

Fiber to LED



PT-6001 & PT-6002

Re-light your pools – Convert fading fiber to vibrant LED with these newly updated models.

S.R.Smith offers a range of 1, 2, or 3 Mod-Lite, TREO, or kēlo Light Kits for cost-effective, quick change-outs.

Table of Contents

LED Lights

Mod-Lite™ **4**

TREO® LED Light **5**

kēlo™ LED Light **6**

micro LED Light **7**

Fiberglass (FG) LED Light **8**

Lighting Configuration Guide 9

Transformers/Lighting Controls

poolLUX® Premier **10**

poolLUX® Plus2 **11**

poolLUX® Plus **12**

poolLUX® Power. **13**

PT6001 & PT6002 **14**

Advanced Applications

Fiber to LED Conversion Kits. . . **14**

Star Feature Kits. **15**

Specialized Applications. **16**

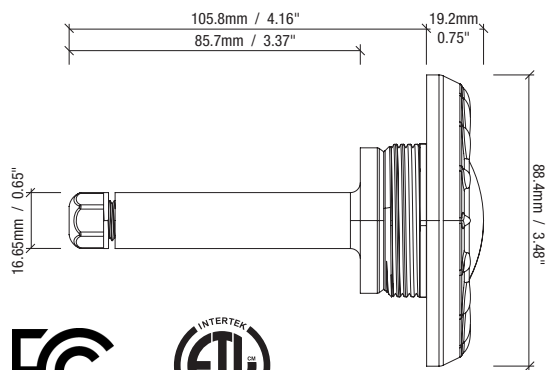
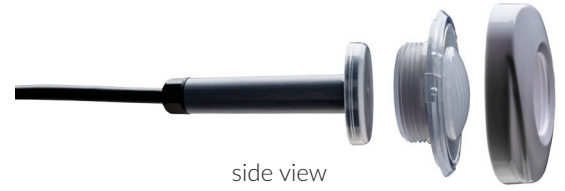
Dealer Central 18

MOD-LITE™

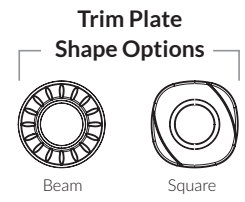
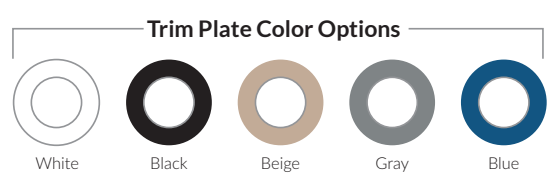
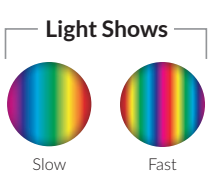
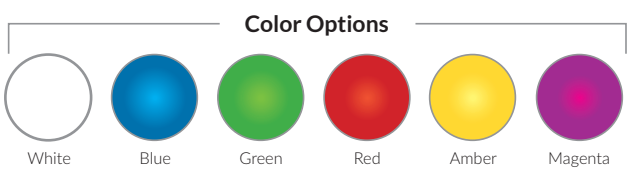
PowerPass™ Wireless

Mod-Lite™ is an LED light that blends modular design with wireless power to deliver unmatched flexibility, convenience, safety and savings. PowerPass™ technology allows power to flow directly to the wireless LED lamp module, without a physical connection to power; making installation faster, safer and more efficient; plus replacement and winterization is a snap.

- 12VAC 7 Watt LED light for gunite, vinyl liner, and fiberglass pools and spas
- Low profile wireless lamp
- Designed for use with standard 1.5" wall fittings and conduit down to 0.75"
- Available in lengths of 80' or 150' as single units or in bulk packs
- No earth bonding required
- Color functions:
 - Advanced color functionality with poolLUX Premier: (49) color variations and 4 levels of dimming via wireless remote
 - 12V controls: (6) colors (white, blue, green, red, amber, magenta), and (2) light shows (fast/slow)
- (5) colored trim plates in (2) different shapes (square and round) for a total of (10) options for maximum customization
- Three year warranty
- ETL Listed – Conforms to UL676
- Certified to CSA C22.2 #89
- Compatible with all S.R.Smith lighting control power units



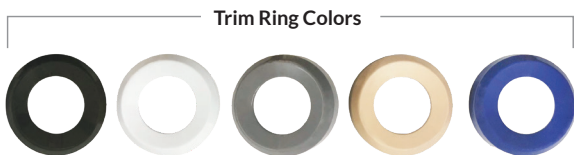
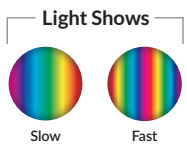
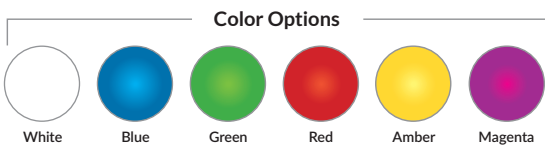
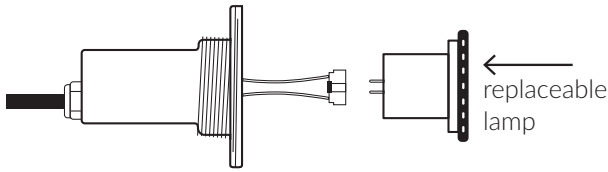
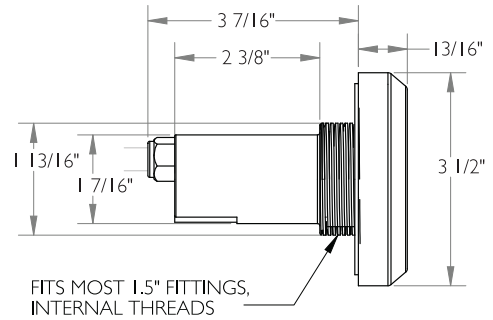
Model No.	Description
MLED-C-80	(1) Mod-Lite 7 Watt RGB LED Light, 80' Cord
MLED-C-80-PK10	(10) Mod-Lite 7 Watt RGB LED Lights, 80' Cord
MLED-C-150	(1) Mod-Lite 7 Watt RGB LED Light, 150' Cord
MLED-C-150-PK8	(8) Mod-Lite 7 Watt RGB LED Lights, 150' Cord
MLED-LM-C	Mod-Lite 7 Watt RGB LED Replacement Lamp



TREO® LED Light

The TREO is a 12VAC, 5 Watt LED underwater light for gunite, vinyl liner, and fiberglass pools with a replaceable LED lamp.

- Serviceable design — Replaceable LED lamp
- Designed for use with 1.5" diameter threaded wall fittings
- Available in lengths of 30', 50', 80', 150'
- No earth bonding required
- White or color changing LED models available
- Color functionality:
 - Advanced operation with poolLUX Premier — Up to (49) color variations and dimming control (via wireless remote)
 - 12VAC operation — (6) colors (white, blue, green, red, amber, magenta) and (2) light shows
- Color memory function
- Five colored trim rings included to match the surface of your pool or spa
- Three year warranty
- ETL Listed — Conforms to UL676
- Certified to CSA C22.2 #89
- Compatible with all S.R.Smith lighting control power units

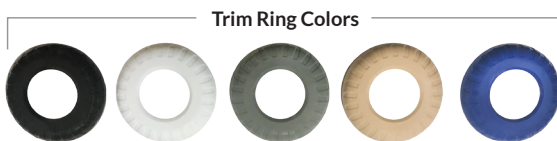
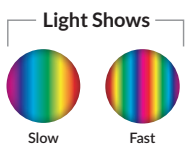
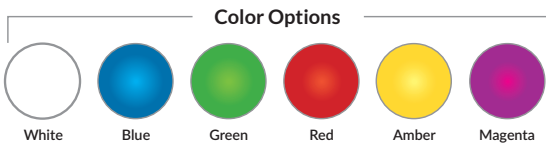
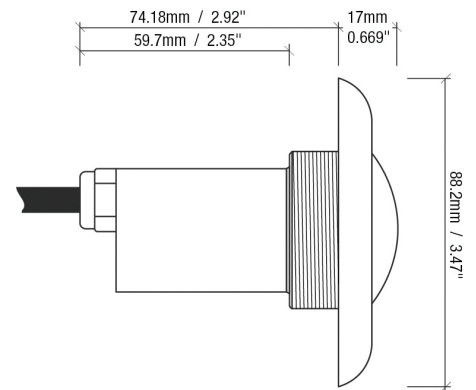


Model No.	Description
FLED-C-TR-30	(1) TREO 5 Watt RGB LED Light, 30' Cord
FLED-C-TR-50	(1) TREO 5 Watt RGB LED Light, 50' Cord
FLED-C-TR	(1) TREO 5 Watt RGB LED Light, 80' Cord
FLED-C-TR-PK8	(8) TREO 5 Watt RGB LED Lights, 80' Cord
FLED-C-TR-150	(1) TREO 5 Watt RGB LED Light, 150' Cord
FLED-C-TR-150-PK8	(8) TREO 5 Watt RGB LED Lights, 150' Cord
FLED-W-TR	(1) TREO 5 Watt White LED Light, 80' Cord
FLED-W-TR-PK8	(8) TREO 5 Watt White LED Lights, 80' Cord
FLED-W-TR-150	(1) TREO 5 Watt White LED Light, 150' Cord
FLED-W-TR-150-PK8	(8) TREO 5 Watt White LED Lights, 150' Cord
FLED-VK-TR	TREO Vinyl Adapter Kit
FLED-LAU-C	RGB Replacement Lamp
FLED-LAU-W	White Replacement Lamp

kēlo™ LED Light

The kēlo is a 12VAC, 7 Watt LED underwater light for gunite, vinyl liner, and fiberglass pools.

- Low profile design
- Designed for use with 1.5" diameter threaded wall fittings
- Available in lengths of 80', 150'
- No earth bonding required
- Color functionality:
 - Advanced operation with poolLUX Premier – Up to (49) color variations and dimming control (via wireless remote)
 - 12VAC operation – (6) colors (white, blue, green, red, amber, magenta) and (2) light shows
- Color LED with memory function
- Five colored trim rings included to match the surface of your pool or spa
- Three year warranty
- ETL Listed – Conforms to UL676
- Certified to CSA C22.2 #89
- Compatible with all S.R.Smith lighting control power units

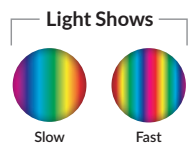
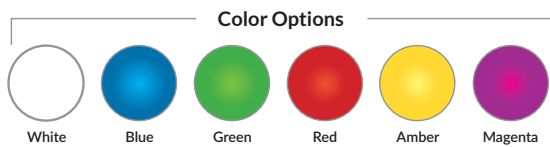
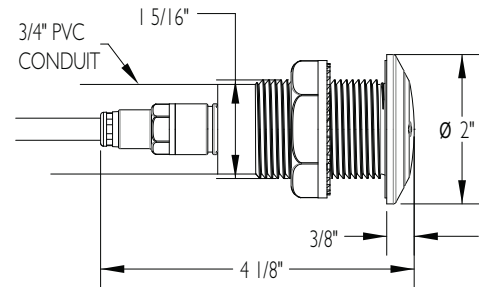


Model No.	Description
KLED-C-80	(1) kēlo 7 Watt RGB LED Light, 80' Cord
KLED-C-80-PK8	(8) kēlo 7 Watt RGB LED Lights, 80' Cord
KLED-C-150	(1) kēlo 7 Watt RGB LED Light, 150' Cord
KLED-C-150-PK8	(8) kēlo 7 Watt RGB LED Lights, 150' Cord

micro LED Light

The micro is 12VAC, 2 Watt LED underwater light designed for accent lighting applications for gunite, vinyl liner and fiberglass pools.

- Available in lengths of 30', 50', 80', 150'
- No earth bonding required
- White or color changing LED models available
- Color functionality:
 - Advanced operation with poolLUX Premier – Up to (49) color variations and dimming control (via wireless remote)
 - 12VAC operation – (6) colors (white, blue, green, red, amber, magenta) and (2) light shows
- Color memory function
- Five colored trim rings included to match the surface of your pool or spa
- Designed for use with 0.75" diameter conduit – Includes wall fitting adapter
- Three year warranty
- ETL Listed – Conforms to UL676
- Certified to CSA C22.2 #89
- Compatible with all S.R.Smith lighting control power units

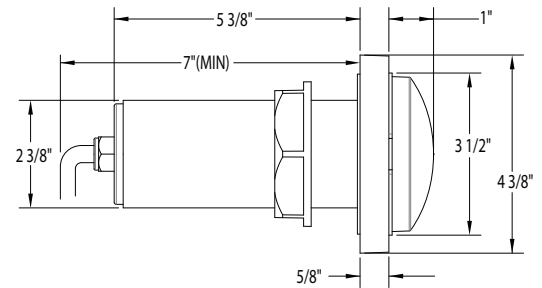


Model No.	Description
FLED-TM-C-30	(1) micro 2 Watt RGB LED Light, 30' Cord
FLED-TM-C-50	(1) micro 2 Watt RGB LED Light, 50' Cord
FLED-TM-C	(1) micro 2 Watt RGB LED Light, 80' Cord
FLED-TM-C-PK10	(10) micro 2 Watt RGB LED Lights, 80' Cord
FLED-TM-C-150	(1) micro 2 Watt RGB LED Light, 150' Cord
FLED-TM-C-150-PK10	(10) micro 2 Watt RGB LED Lights, 150' Cord
FLED-TM-W	(1) micro 2 Watt White LED Light, 80' Cord
FLED-TM-W-150	(1) micro 2 Watt White LED Light, 150' Cord
FLED-TM-W-150-PK10	(10) micro 2 Watt White LED Lights, 150' Cord
FLED-FA-TM	micro Fitting Adapter
FLED-FGGF-TM	micro Gunite Fitting, 3/4" PVC

Fiberglass (FG) LED Light

The FG is a 12VAC, 5 Watt LED underwater light for new construction fiberglass pools.

- Available in lengths of 30', 50', 80', 150'
- No earth bonding required
- White or color changing LED models available
- Color functionality:
 - Advanced operation with poolLUX Premier – Up to (49) color variations and dimming control (via wireless remote)
 - 12VAC operation – (6) colors (white, blue, green, red, amber, magenta) and (2) light shows
- Color memory function
- 0.75" or 0.5" conduit required
- Three year warranty
- ETL Listed – Conforms to UL676
- Certified to CSA C22.2 #89
- Compatible with all S.R.Smith lighting control power units



Color Options

White Blue Green Red Amber Magenta

Light Shows

Slow Fast

Advanced Options*

Color Wheel Dimming

* Available With poolLUX Premier

Model No.	Description
FLED-C-FG-30	(1) Fiberglass 5 Watt RGB LED Light, 30' Cord
FLED-C-FG-50	(1) Fiberglass 5 Watt RGB LED Light, 50' Cord
FLED-C-FG	(1) Fiberglass 5 Watt RGB LED Light, 80' Cord
FLED-C-FG-PK8	(8) Fiberglass 5 Watt RGB LED Lights, 80' Cord
FLED-C-FG-150	(1) Fiberglass 5 Watt RGB LED Light, 150' Cord
FLED-W-FG-30	(1) Fiberglass 5 Watt White Only Light, 30' Cord
FLED-W-FG-50	(1) Fiberglass 5 Watt White Only Light, 50' Cord
FLED-W-FG	(1) Fiberglass 5 Watt White Only Light, 80' Cord
FLED-W-FG-150	(1) Fiberglass 5 Watt White Only Light, 150' Cord
FLED-LAU-C	Fiberglass RGB Replacement Lamp
FLED-LAU-W	Fiberglass White Replacement Lamp
FLED-LC-FG	Clear Snap-On Cover

Lighting Configuration Guide

Combine S.R.Smith **lights** and **lighting controls** for maximum features and endless possibilities.



LIGHTS

Features	Mod-Lite™	TREO™	kēlo™	micro
PowerPass™ Wireless Power Technology	✓			
Compatible with poolLUX™ Power, Plus, Plus2 and Premier	✓	✓	✓	✓
Field replaceable lamp	✓	✓		
Cord lengths available	80', 150'	30', 50', 80', 150'	80', 150'	30', 50', 80', 150'
Color RGB LED (white, blue, green, red, amber, and magenta)	✓	✓	✓	✓
6 colors / 2 shows (via 12 VAC operation), 49 color options & dimming levels via poolLUX™ Premier	✓	✓	✓	✓
Accent lighting for water features, steps, and shelves				✓
ETL listed - Conforms to UL 676, certified to CSA C22.2 #89	✓	✓	✓	✓
Power consumption	7W	5W	7W	2W
Fits conduit down to 0.75"	✓			

LIGHTING CONTROLS & TRANSFORMERS

Configuration Options	Mod-Lite™	TREO™	kēlo™	micro
poolLUX® PREMIER 70W on 10 - 7W circuits up to 49 color options, 2 shows and 4 dimming levels 	up to 10 Lights (1 light per circuit)	up to 10 Lights (1 light per circuit)	up to 10 Lights (1 light per circuit)	up to 30 Lights (up to 3 lights per circuit)
poolLUX® PLUS2 120W Transformer (Dual zone - 60W per zone) 	up to 7 lights per zone 7 (x2 zones) = 14 lights	11 lights per zone 11 (x2 zones) = 22 lights	up to 7 lights per zone 7 (x2 zones) = 14 lights	up to 27 lights per zone 27 (x2 zones) = 54 lights
poolLUX® PLUS and POWER 60W Transformers 	up to 7 lights	up to 11 lights	up to 7 lights	up to 27 lights
poolLUX® PLUS and POWER 100W Transformers 	up to 13 lights	up to 18 lights	up to 13 lights	up to 45 lights

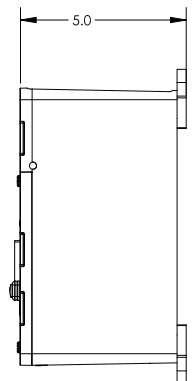
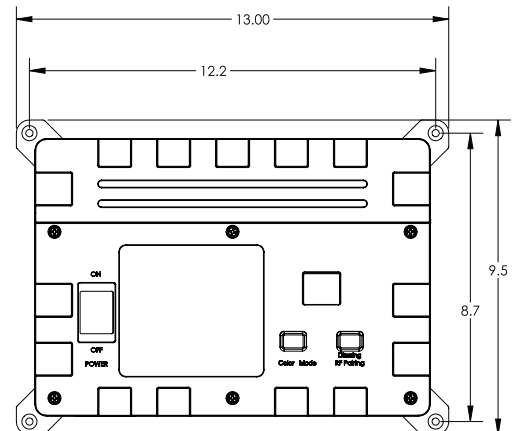
poolLUX Kits include 2 or 3 Mod-lite, TREO, or kēlo LED lights; micro LED lights sold separately.

NOTE: Any combination of lights can be used as long as the combined total wattage of the lights does not exceed 90% of the controller's total capacity.

poolLUX® Premier

Custom Lighting System with Wireless Control

- Works exclusively with S.R.Smith LED lights
- Extended range (100' line of sight) wireless remote with color selection wheel and dimming bar
- (6) standard colors and (2) shows via on/off power toggle
- Up to (49) color variations via color selection wheel
- Multiple brightness (dimming) options available
 - (4) via wireless remote dimming bar and (15) available via the control panel dimming button
- (10) wiring station system* with a built in 70W power supply (*7W max per station)
- Corrosion resistant (NEMA 3R), sound dampening housing
- (6) low-voltage and (2) line-voltage combination knockouts (3/4" or 1")
- ETL Listed – Conforms to UL 379 (Pool, Spa and Fountain Power Unit Standard)
- Certified to CSA C22.2#218.1
- Two year warranty

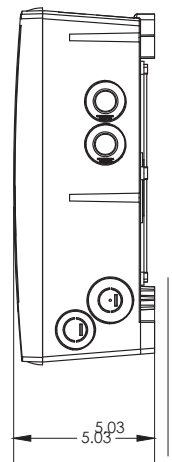
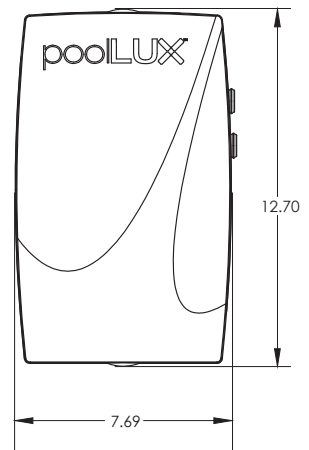


Model No.	Description
pLX-PRM	(1) poolLUX Premier Control System with Wireless Remote
poolLUX Premier Kits with Mod-Lite LED Lights	
2ML-pLX-PRM	(1) poolLUX Premier - (2) Mod-Lite 7 Watt RGB LED Lights, 80' cord
3ML-pLX-PRM	(1) poolLUX Premier - (3) Mod-Lite 7 Watt RGB LED Lights, 80' cord
poolLUX Premier Kits with TREO LED Lights	
2TR-pLX-PRM	(1) poolLUX Premier - (2) TREO 5 Watt RGB LED Lights, 80' cord
3TR-pLX-PRM	(1) poolLUX Premier - (3) TREO 5 Watt RGB LED Lights, 80' cord
poolLUX Premier Kits with kēlo LED Lights	
2KE-pLX-PRM	(1) poolLUX Premier - (2) kēlo 7 Watt RGB LED Lights, 80' cord
3KE-pLX-PRM	(1) poolLUX Premier - (3) kēlo 7 Watt RGB LED Lights, 80' cord

poolLUX[®] Plus2

Dual Zone transformer with wireless control

- (2) 60W low-voltage transformers
- Independent or synchronized control of each transformer
- External Illuminated control switches for each transformer
- Extended range (100' line of sight) wireless remote with one-touch color sync for S.R.Smith LED lights
 - S.R.Smith LED lights feature (6) colors and (2) shows
- Compatible with other 12VAC power toggle LED lights
- Oversized wiring space with convenient terminal strip connections
- Internal self-resetting thermal fuse to protect against overheating conditions
- Fast acting replaceable current fuse for safety enhancing short circuit protection
- Accessible low voltage 12VAC and 13VAC wiring terminals for standard or extended wiring runs
- Corrosion resistant (NEMA 3R) and sound dampening housing (quiet operation)
- (4) low-voltage and (4) line-voltage combination knockouts (3/4" or 1") plus (2) special use knockouts
- ETL Listed – Conforms to UL 379 (Pool, Spa and Fountain Power Unit Standard)
- Certified to CSA C22.2#218.1
- Two year warranty



Model No.	Description
pLX-PL2	Dual-Zone; Two 60W Transformer with Wireless Remote Control. Total wattage: 120W
poolLUX Plus2 Kits with Mod-Lite LED Lights	
2ML-pLX-PL2	(1) poolLUX Plus2 - (2) Mod-Lite 7 Watt RGB LED Lights, 80' cord
3ML-pLX-PL2	(1) poolLUX Plus2 - (3) Mod-Lite 7 Watt RGB LED Lights, 80' cord
poolLUX Plus2 Kits with TREO LED Lights	
2TR-pLX-PL2	(1) poolLUX Plus2 - (2) TREO 5 Watt RGB LED Lights, 80' cord
3TR-pLX-PL2	(1) poolLUX Plus2 - (3) TREO 5 Watt RGB LED Lights, 80' cord
poolLUX Plus2 Kits with kēlo LED Lights	
2KE-pLX-PL2	(1) poolLUX Plus2 - (2) kēlo 7 Watt RGB LED Lights, 80' cord
3KE-pLX-PL2	(1) poolLUX Plus2 - (3) kēlo 7 Watt RGB LED Lights, 80' cord

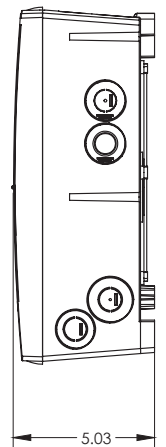
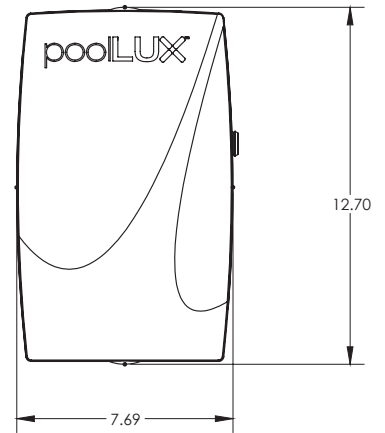
poolLUX[®] Plus

Transformer system with wireless control

- 60W or 100W low-voltage transformer options
- External on/off control switch
- Extended range (100' line of sight) wireless remote with one-touch color sync for S.R.Smith LED lights
 - S.R.Smith LED lights feature (6) colors and (2) shows
- Compatible with other 12VAC power toggle LED lights
- Oversized wiring space with convenient terminal strip connections
- Internal self-resetting thermal fuse to protect against overheating conditions
- Fast acting replaceable current fuse for safety enhancing short circuit protection
- Accessible low voltage 12VAC and 13VAC wiring terminals for standard or extended wiring runs
- Corrosion resistant (NEMA 3R) and sound dampening housing (quiet operation)
- (4) low-voltage and (4) line-voltage combination knockouts (3/4" or 1") Plus (2) special use knockouts
- ETL Listed – Conforms to UL 379 (Pool, Spa and Fountain Power Unit Standard)
- Certified to CSA C22.2#218.1
- Two year warranty



Model No.	Description
pLX-PL60	(1) poolLUX Plus 60 Watt Transformer with Wireless Remote
pLX-PL100	(1) poolLUX Plus 100 Watt Transformer with Wireless Remote
poolLUX Plus Kits with Mod-Lite LED Lights	
1ML-pLX-PL60	(1) poolLUX Plus 60 - (1) Mod-Lite 7 Watt RGB LED Light, 80' cord
2ML-pLX-PL60	(1) poolLUX Plus 60 - (2) Mod-Lite 7 Watt RGB LED Lights, 80' cord
3ML-pLX-PL60	(1) poolLUX Plus 60 - (3) Mod-Lite 7 Watt RGB LED Lights, 80' cord
2ML-pLX-PL100	(1) poolLUX Plus 100 - (2) Mod-Lite 7 Watt RGB LED Lights, 80' cord
3ML-pLX-PL100	(1) poolLUX Plus 100 - (3) Mod-Lite 7 Watt RGB LED Lights, 80' cord
poolLUX Plus Kits with TREO LED Lights	
2TR-pLX-PL60	(1) poolLUX Plus 60 - (2) TREO 5 Watt RGB LED Lights, 80' cord
3TR-pLX-PL60	(1) poolLUX Plus 60 - (3) TREO 5 Watt RGB LED Lights, 80' cord
2TR-pLX-PL100	(1) poolLUX Plus 100 - (2) TREO 5 Watt RGB LED Lights, 80' cord
3TR-pLX-PL100	(1) poolLUX Plus 100 - (3) TREO 5 Watt RGB LED Lights, 80' cord
poolLUX Plus Kits with kēlo LED Lights	
2KE-pLX-PL60	(1) poolLUX Plus 60 - (2) kēlo 7 Watt RGB LED Lights, 80' cord
3KE-pLX-PL60	(1) poolLUX Plus 60 - (3) kēlo 7 Watt RGB LED Lights, 80' cord
2KE-pLX-PL100	(1) poolLUX Plus 100 - (2) kēlo 7 Watt RGB LED Lights, 80' cord
3KE-pLX-PL100	(1) poolLUX Plus 100 - (3) kēlo 7 Watt RGB LED Lights, 80' cord



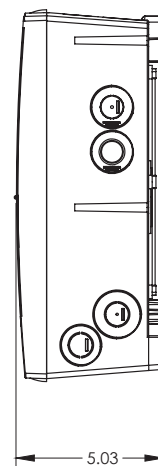
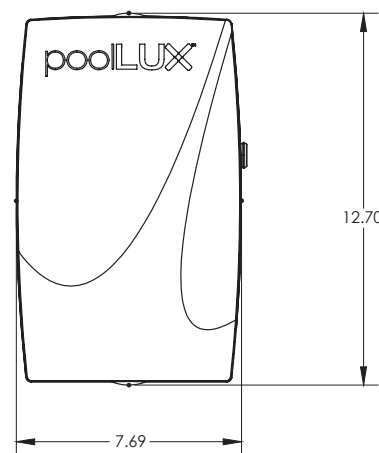
poolLUX[®] Power

Low voltage transformer

- 60W or 100W low-voltage transformer options
- External on/off control switch
- Compatible with S.R.Smith LED lights and other 12VAC power toggle LED lights
 - S.R.Smith LED lights feature (6) colors and (2) shows
- Oversized wiring space with convenient terminal strip connections
- Internal self-resetting thermal fuse to protect against overheating conditions
- Fast acting replaceable current fuse for safety enhancing short circuit protection
- Accessible low-voltage 12VAC and 13VAC wiring terminals for standard or extended wiring runs
- Corrosion resistant (NEMA 3R) and sound dampening housing (quiet operation)
- (4) low-voltage and (4) line-voltage combination knockouts (3/4" or 1") Plus (2) special use knockouts
- ETL Listed – Conforms to UL 379 (Pool, Spa and Fountain Power Unit Standard)
- Certified to CSA C22.2#218.1
- Two year warranty



Model No.	Description
pLX-PW60	(1) poolLUX Power 60 Watt Transformer
pLX-PW100	(1) poolLUX Power 100 Watt Transformer
poolLUX Power Kits with Mod-Lite LED Lights	
1ML-PLX-PW60	(1) poolLUX Power 60 - (1) Mod-Lite 7 Watt RGB LED Light, 80' cord
2ML-pLX-PW60	(1) poolLUX Power 60 - (2) Mod-Lite 7 Watt RGB LED Lights, 80' cord
3ML-pLX-PW60	(1) poolLUX Power 60 - (3) Mod-Lite 7 Watt RGB LED Lights, 80' cord
2ML-pLX-PW100	(1) poolLUX Power 100 - (2) Mod-Lite 7 Watt RGB LED Lights, 80' cord
3ML-pLX-PW100	(1) poolLUX Power 100 - (3) Mod-Lite 7 Watt RGB LED Lights, 80' cord
poolLUX Power Kits with TREO LED Lights	
2TR-pLX-PW60	(1) poolLUX Power 60 - (2) TREO 5 Watt RGB LED Lights, 80' cord
3TR-pLX-PW60	(1) poolLUX Power 60 - (3) TREO 5 Watt RGB LED Lights, 80' cord
2TR-pLX-PW100	(1) poolLUX Power 100 - (2) TREO 5 Watt RGB LED Lights, 80' cord
3TR-pLX-PW100	(1) poolLUX Power 100 - (3) TREO 5 Watt RGB LED Lights, 80' cord
poolLUX Power Kits with këlo LED Lights	
2KE-pLX-PW60	(1) poolLUX Power 60 - (2) këlo 7 Watt RGB LED Lights, 80' cord
3KE-pLX-PW60	(1) poolLUX Power 60 - (3) këlo 7 Watt RGB LED Lights, 80' cord
2KE-pLX-PW100	(1) poolLUX Power 100 - (2) këlo 7 Watt RGB LED Lights, 80' cord
3KE-pLX-PW100	(1) poolLUX Power 100 - (3) këlo 7 Watt RGB LED Lights, 80' cord



Power Tower PT-6001 & PT-6002

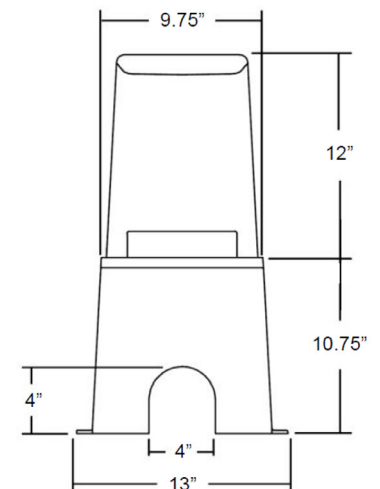
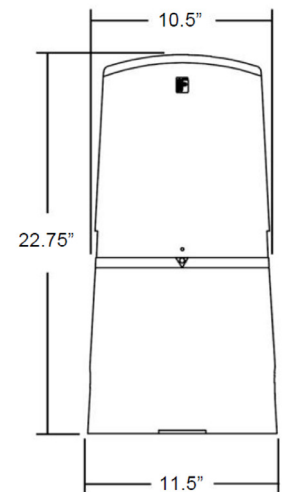
Fiber to LED Conversion Kits

The new & improved PT-6001 & PT-6002 Fiber to LED conversion kits are an energy efficient, direct replacement for Fiberstars 6004/2004 fiber optic illuminators.

- Available as single 60 Watt, 1-circuit unit (PT-6001) or dual 60 Watt, 2-circuit unit (PT-6002) with sync or independent circuit control
- Both models include 12VAC and 13VAC output options and an auto-resetting thermal fuse for overloading and replaceable current fusing for enhanced water safety
- New screwless terminals for reliable, quick and easy connections in half the time (compared to original PT-6000) – no wire nuts required
- Wireless remote control with one-touch color sync for S.R.Smith LED lighting products
- Corrosion-resistant polycarbonate enclosure rated NEMA 3R
- ETL Listed – Conforms to UL 379
- Certified to CSA C22.2#218.1
- Two year warranty



Model No.	Description
PT-6001	(1) PT-6001 Power 60W Transformer with Wireless Remote
PT-6002	(1) PT-6002 Dual Zone; Two 60W Transformers with Wireless Remote Control
PT-BASE	(1) PT-6000 Series Base
Power Tower Kits with Mod-Lite LED Lights	
1ML-PT-6001	(1) PT-6001 Kit - (1) Mod-Lite 7 Watt RGB LED Light, 80' cord
2ML-PT-6001	(1) PT-6001 Kit - (2) Mod-Lite 7 Watt RGB LED Lights, 80' cord
3ML-PT-6001	(1) PT-6001 Kit - (3) Mod-Lite 7 Watt RGB LED Lights, 80' cord
2ML-PT-6002	(1) PT-6002 Kit - (2) Mod-Lite 7 Watt RGB LED Lights, 80' cord
3ML-PT-6002	(1) PT-6002 Kit - (3) Mod-Lite 7 Watt RGB LED Lights, 80' cord
Power Tower Kits with TREO LED Lights	
1TR-PT-6001	(1) PT-6001 Kit - (1) TREO 5 Watt RGB LED Light, 80' cord
2TR-PT-6001	(1) PT-6001 Kit - (2) TREO 5 Watt RGB LED Lights, 80' cord
3TR-PT-6001	(1) PT-6001 Kit - (3) TREO 5 Watt RGB LED Lights, 80' cord
2TR-PT-6002	(1) PT-6002 Kit - (2) TREO 5 Watt RGB LED Lights, 80' cord
3TR-PT-6002	(1) PT-6002 Kit - (3) TREO 5 Watt RGB LED Lights, 80' cord
Power Tower Kits with kēlo LED Lights	
1KE-PT-6001	(1) PT-6001 Kit - (1) kēlo 7 Watt RGB LED Light, 80' cord
2KE-PT-6001	(1) PT-6001 Kit - (2) kēlo 7 Watt RGB LED Lights, 80' cord
3KE-PT-6001	(1) PT-6001 Kit - (3) kēlo 7 Watt RGB LED Lights, 80' cord
2KE-PT-6002	(1) PT-6002 Kit - (2) kēlo 7 Watt RGB LED Lights, 80' cord
3KE-PT-6002	(1) PT-6002 Kit - (3) kēlo 7 Watt RGB LED Lights, 80' cord

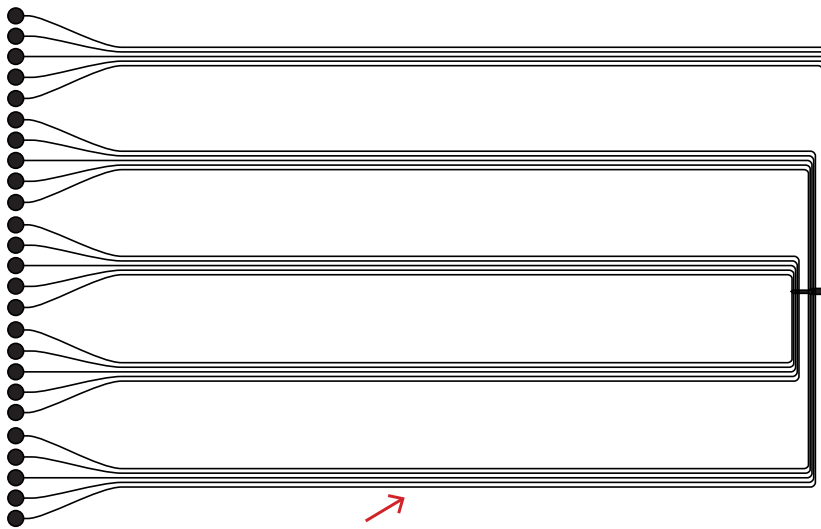


LED Star Feature Kits

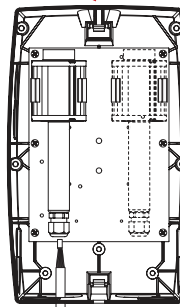
The newly reconfigured LED Star Feature kits now include either a single or dual 12VAC, 5 watt LED light source with a 25- or 50-point fiber optic transmission system for gunite pools or other concrete based features such as patios, walk ways, bar tops, stone/paver walls, etc. These upgraded kits now come in a corrosion resistant, wall- or post-mounted, NEMA 3R enclosure and offer up to 50' fiber runs.



- 25 or 50 Star Points
- Advanced color functionality when powered by a poolLUX Premier control unit:
 - Up to (49) color variations and dimming control (via wireless remote)
 - 12VAC operation – (6) colors (white, blue, green, red, amber, magenta) and (2) light shows
- ETL Listed – Conforms to UL 2108
- Certified to CSA C22.2 #250
- Compatible with all S.R.Smith lighting transformers and control power units
- Memory function
- 100' of 12VAC cable
- Includes 50' fiber
- Three year warranty



New wall or post mountable enclosure



100' 12VAC Cable(s) included. One or two light sources – kit dependent

Low voltage power unit/ transformer required



Model No.	Description
CLSSF25-50	(1) Star Series RGB LED Light Kit - 25 Fiber Optic Star Points, 50' fiber cable
CLSSF50-50	(1) Star Series RGB LED Light Kit - 50 Fiber Optic Star Points, 50' fiber cable

Model No.	Suggested Compatible Transformers
pLX-PRM	(1) poolLUX Premier Control System with Wireless Remote
pLX-PL2	(1) poolLUX Plus2 Dual-Zone/Two 60W (Total 120W) Transformers with Wireless Remote
pLX-PL100	(1) poolLUX Plus 100W Transformer with Wireless Remote

Transform

S.R.Smith's dedicated Lighting
from the rest through



STAR FEATURE KITS are designed to bring awe-inspiring ambiance to any pool setting.

Stars can be placed inside or outside the pool to enhance the overall look and feel whether it's a patio (as shown below bottom left) or any other place you choose to add a custom lighting effect that blends the desired aesthetic of fiber optic with energy-efficient LED illumination.

MORE FEATURES, MORE DURABILITY, MORE SPACE, MORE VALUE.



- 1 = 2 Mod-Lite™ Wireless Lights
- 2 = LED Star Feature Lights



- 1 = 2 Kelo LED Lights
- 2 = 1 Micro LED Light



- 1 = Pool/Spa
- 2 = Landscape Lights

Our **poolLUX Plus2** and **Power Tower PT-6002** provide dual-zone capabilities, designed for applications where 2 zones of lighting are desired.

your pool and patio

Specialists will work with you to make your pools stand out planning, application support and product selection.

FIBER TO LED TRANSFORMATION



BEFORE
5 Fiber Optic Lights

AFTER
3 TREO LED Lights

Between the 1980's and early 2000's fiber optic lighting was commonly used in swimming pools. Over time, fiber can degrade, leaving pools looking dark, dull, and dated. S.R.Smith **Power Tower (PT-6001 & PT-6002) Fiber to LED Conversion Kits** give builders and service companies a solution to upgrade fading fiber to LED lighting using the existing fiber conduit.

DEALER CENTRAL

Dealer Central is your one stop for S.R.Smith tools and resources designed for pool professionals!

MARKETING TOOLS

Find links to new products, order brochures, and update your business information on the dealer locator and much more. Opt-in to receive S.R.Smith communications, including Tech Tips and Pro Tips.

INSTALLATION RESOURCES

Configuration tools take the guess work out of selecting the right product for the pool. Whether installing a diving board, custom rail, pool lift or starting block, these tools make it simple to order the right product.

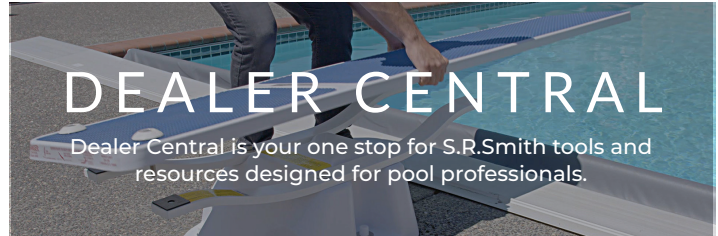
BUILDER SUPPORT PROGRAMS

S.R.Smith offers a range of programs to help you grow your business.

- Learn how to help manage risk with the Peace of Mind Program
- Inspire Miles Program offers Builder Rewards on select S.R.Smith products
- Showcase S.R.Smith deck equipment on your display pool or showroom with the Display Program
- Give lighting products a test drive with the Lighting Test Drive Program
- The Whole New Light Program supports Fiber to LED lighting upgrades

EDUCATION

S.R.Smith also offers training courses in which you can earn hours to become a Certified Diving Board Installer or Swimming Pool Accessibility Specialist.



MARKETING TOOLS

NEW PRODUCTS Discover The Latest from S.R.Smith	ORDER BROCHURES Order Product Data Sheets & Resources	DEALER LOCATOR Update Your Dealer Information	PRO TIPS Learn Profit & Tech Tips for Your Business
EMAIL SIGN-UP Sign Up for Dealer Communication	ASK A QUESTION Ask a Question	YouTube SUBSCRIBE TO OUR CHANNEL Check out S.R.Smith Product Videos	IFI/SRS DECK SLIDE MATRIX Find InterFab/S.R.Smith Deck Slide Equivalent

INSTALLATION RESOURCES

VINYL LINER JIG PLACEMENT CALCULATOR Calculate Your Jig Placement	CUSTOM RAIL CONFIGURATOR Customize Your Rail Solution	POOL LIFT CONFIGURATOR Find an ADA-Compliant Pool Lift	STARTING BLOCK CONFIGURATOR Select the Right Starting Blocks
---	---	--	--

BUILDER SUPPORT PROGRAMS

INSPIRE MILES PROGRAM Take Advantage of Builder Rewards	PEACE OF MIND PROGRAM Learn How to Help Manage Risk	WHOLE NEW LIGHT PROGRAM Upgrade Fiber to LED Lighting	DISPLAY PROGRAM Get Exclusive Display Pricing
LIGHTING TEST DRIVE PROGRAM Give Lighting Products a Test Drive			

EDUCATION

DIVING BOARD INSTALLATION Become a Certified Diving Board Installer	ACCESS ACADEMY Become a Pool Accessibility Specialist
---	---

Learn more at srsmith.com/DealerCentral

Show your pools in their best light with simple lighting solutions that come with savings and support.



SIMPLICITY



SOLUTIONS



SAVINGS



SUPPORT



Questions?

Contact our Dedicated Lighting Specialists

(800) 824-4387

East: x-4012 9:30am - 6:00pm EST

West: x-2282 8:30am - 5:00pm PST



S.R.Smith, LLC
800.824.4387
srsmith.com