



Product Specifications - Written

Product Name: multiLift™ Aquatic Lift
Part Number: 575-0000

General Notes:

It shall be battery powered, comply with Americans with Disabilities Act Access Guidelines (ADAAG), and have a lifting capacity of 350 pounds. The multiLift™ is capable of controlled linear actuation into the pool providing steady speed, support and clearance to the user. Symmetrical design in the multiLift™ allows customers to install with a right or left facing chair to accommodate multiple pool geometries. Product shall include battery, charger, battery console cover, waterproof control, armrests, footrest and seatbelt assembly.

Application:

Manufacturer to provide technical support and assistance to confirm pool lift satisfies pool geometry or if another lift model is more appropriate. The lift is configured to facilitate ease in user transfer within clear deck space of 36 inches wide by 48 inches deep starting 12 inches from the from the back end of the seat (Ref. ADAAG).

Seat Loading Position: 16"-18" measured from the deck to the top of the seat surface when the seat is in the raised position. (ADAAG requires 16"-19")

Submerged Seat Position: The top surface of the seat will submerge a minimum of 18" below the surface of the water, at a deck to water level of 8" maximum.

Specifications:

Actuator: Have a LINAK (approved for medical applications) screw/spline type actuator.

Seat Assembly: The multiLift™ has a seat width of 23 inches (ADAAG requires 16 inches minimum), and a back that extends 24 inches high (ADAAG requires 12 inches minimum).

Structural: Be structurally capable of providing a stable user transfer and pass a static load test equal to 1.5 times the rated load capacity.

Metallic Parts: All metallic parts (stainless steel and aluminum) are to be passivated, pretreated, and powder coated using a 5-step process. The process is to be validated by samples undergoing a 4,000 hr Salt Fog Test (ASTM D1654), by a recognized independent laboratory, and achieve a rating of 10 (highest possible rating). (Note: The test is the equivalent of 10 years exposure to this harsh environment.)

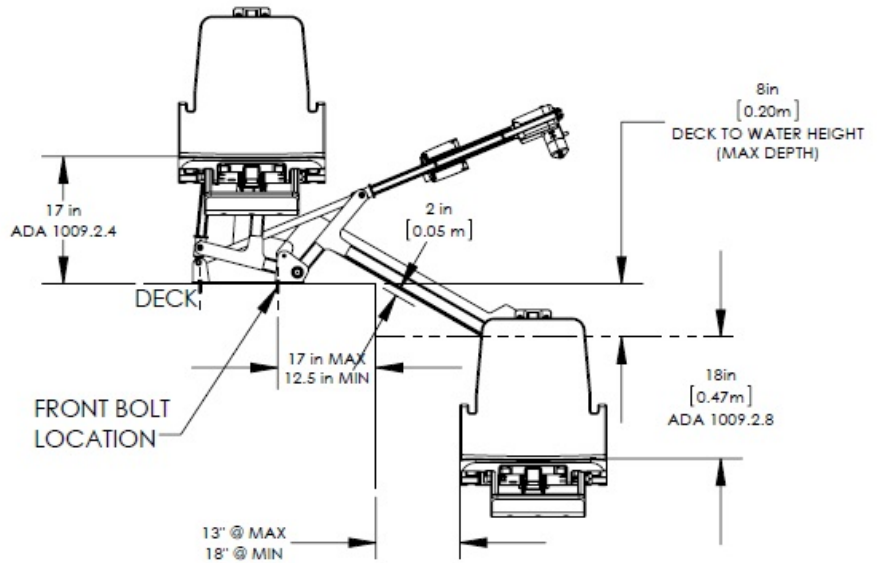
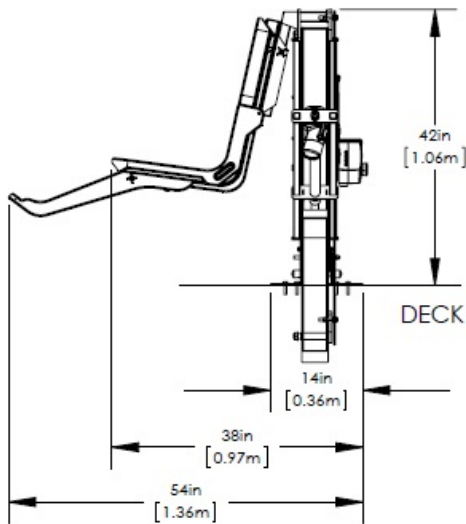
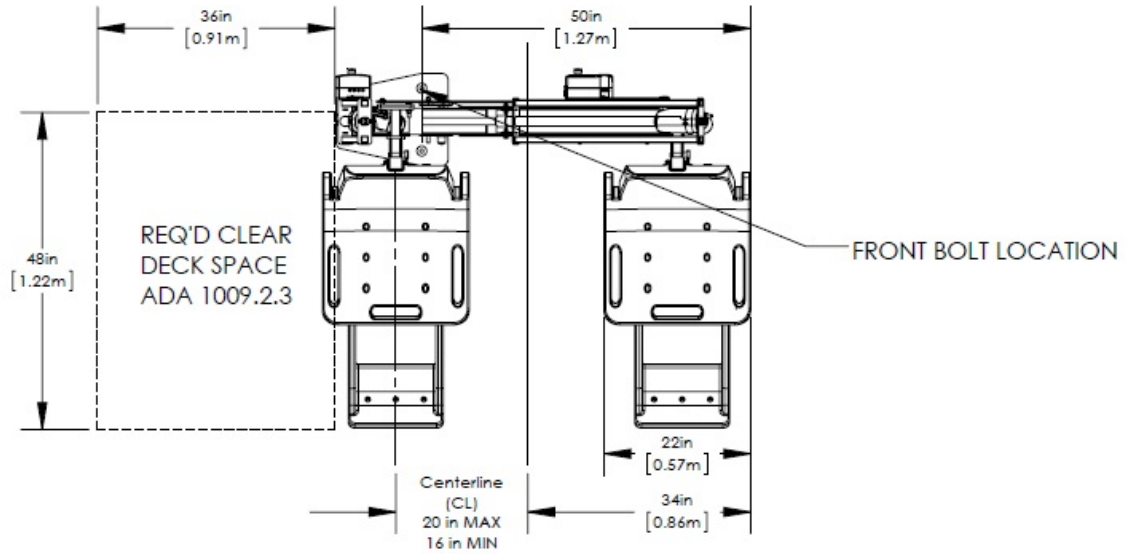
Manufacturer's Warranty: For current warranty information go to www.srsmith.com

Have the following optional equipment:

Part #	Description	Part #	Description
970-5000	Seat Saver Cover	500-5000A	New Construction Anchor Kit
920-5000	Pool Lift Cover		

Shipping weight: 200 lbs.

Specification Number:	SRS-1202		<p align="center">S.R. Smith P.O. Box 400, 1017 SW Berg Parkway Canby, Oregon 97013 Tel: (800) 824-4387 (503) 266-2231 Fax: (503) 166-4334 www.srsmith.com</p>
Product Description:	multiLift™ Aquatic Lift		
S.R. Smith Part Number:	575-0000		
Revision:	B	Date: 07/1/2016	
Written By:	Ole Hoskinson	Date: 12/16/11	
Approved By:	Daniel Taughinbaugh	Date: 07/1/2016	
Page 1 of 2	Proprietary and confidential: The information contained in this specification is the sole property of S.R. Smith LLC. Any reproduction in part or whole without the written consent of S.R. Smith LLC is prohibited.		



Specification Number:	SRS-1202	
Product Description:	multiLift™	
S.R. Smith Part Number:	575-0000	
Revision:	B	Date: 07/1/2016
Written By:	Ole Hoskinson	Date: 12/16/13
Approved By:	Daniel Taughinbaugh	Date: 07/1/2016
Page 2 of 2	Proprietary and confidential: The information contained in this specification is the sole property of S.R. Smith LLC. Any reproduction in part or whole without the written consent of S.R. Smith LLC is prohibited.	

S.R. Smith
 P.O. Box 400, 1017 SW Berg Parkway
 Canby, Oregon 97013
 Tel: (800) 824-4387 (503) 266-2231
 Fax: (503) 266-4334
www.srsmith.com