

TRANSFORM YOUR POOL



BEFORE



AFTER

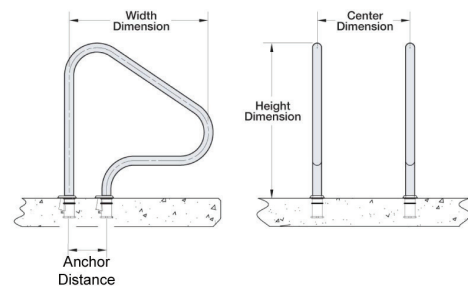
Meridian Series

designer inspired rails

Elevate the look of your pool with the designer inspired Meridian Rails Series. The Meridian rails are designed for easy retro-fit and perfect for small deck space. Use this handy guide to find out which rail works best for your pool.

GETTING THE RIGHT FIT

When measuring your current rail for a replacement, take the following measurements:



IF YOU HAVE THIS RAIL:

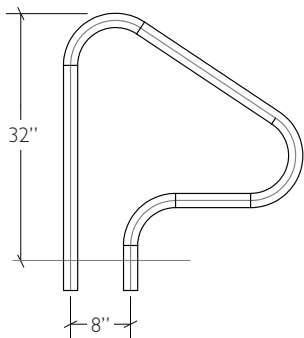
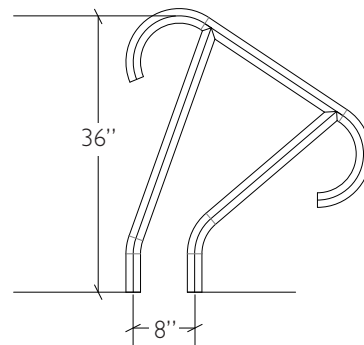


FIGURE 4 HAND RAIL

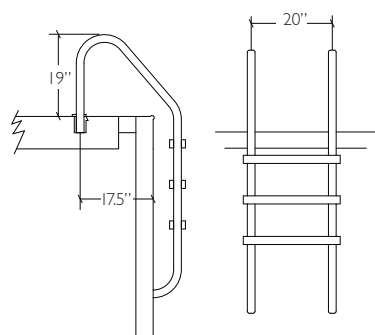
Model No.	Description
F4H-100	Figure 4 Hand Rail .065" Wall (pair)
F4H-101	Figure 4 Hand Rail .049" Wall (pair)

EASILY UPGRADE WITH THIS RAIL:



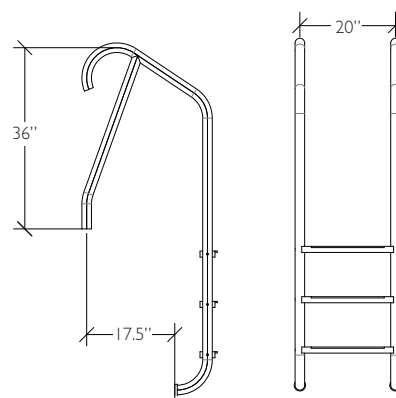
MERIDIAN HAND RAIL

Model #	Description
MER-1001	Meridian Hand Rail (pair)
MER-1001S	Meridian Hand Rail (single)



ECONOMY LADDER

Econoline Model	Elite Model	Description
VLLS-102E	VLLS-102S	2-step ladder
VLLS-103E*	VLLS-103S	3-step ladder
VLLS-104E	VLLS-104S	4-step ladder



MERIDIAN LADDER

Model #	Description
MER-1003	Meridian Ladder

IF YOU HAVE THIS RAIL:

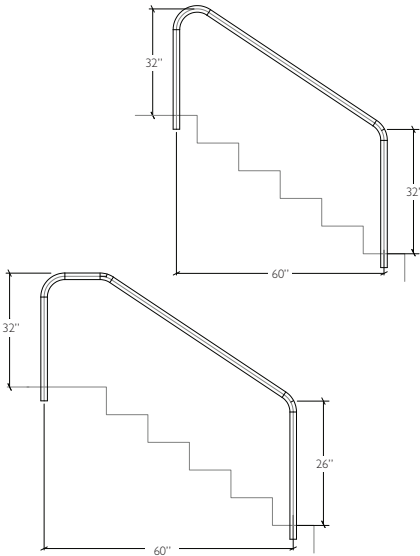
EASILY UPGRADE WITH THIS RAIL:

2-BEND STAIR RAIL

Model #	Description
2HR-4	4' 2-BEND
2HR-5	5' 2-BEND
2HR-6	6' 2-BEND

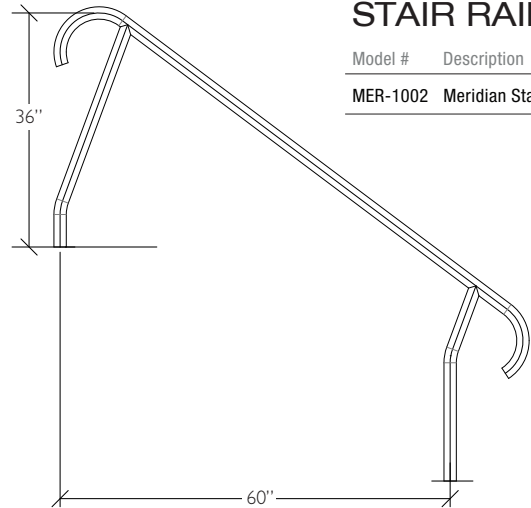
3-BEND STAIR RAIL

Model #	Description
3HR-4	4' 3-BEND
3HR-5	5' 3-BEND
3HR-6	6' 3-BEND



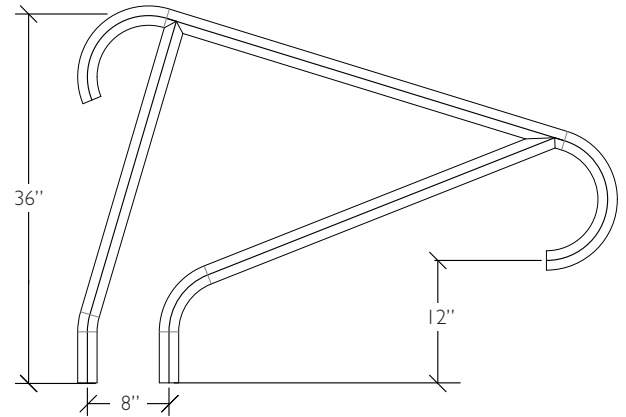
MERIDIAN STAIR RAIL

Model #	Description
MER-1002	Meridian Stair Rail (single)



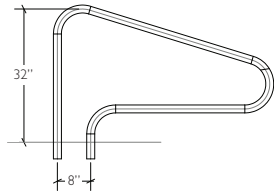
MERIDIAN DECK-MOUNTED STAIR RAIL

Model #	Description
MER-1004	Deck-Mounted Stair Rail (single)



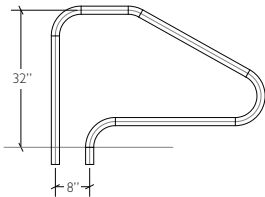
DMS-100

Model #	Description
DMS-100	Center Grab Rail
DMS-100S	60" Center Grab Rail



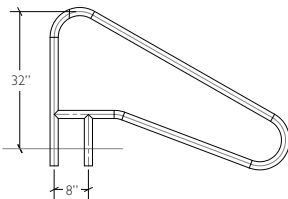
DMS-101

Model #	Description
DMS-101	Center Grab Rail



DMS-102

Model #	Description
DMS-102	Center Grab Rail



DMS-103

Model #	Description
DMS-103	Center Grab Rail

