

MAC

Mobile Aquatic Chair

Owner's Manual



SR Smith™

1017 SW Berg Parkway
Canby, OR 97013
Phone: 503.266.2231
Toll Free: 800.824.4387
www.srsmith.com

TABLE OF CONTENTS

MAC (MOBILE AQUATIC CHAIR)

INTRODUCTION3
PRODUCT OVERVIEW.....3
MAC PRODUCT COMPONENTS.....4
COMPONENT DESCRIPTION4
UNPACKING & ASSEMBLY INSTRUCTIONS5
USING THE MAC6
TRANSFERRING.....6
MAINTENANCE AND CLEANSING7
LONG TERM STORAGE7
WARRANTY INFORMATION.....8

The MAC (Mobile Aquatic Chair) is manufactured by

S.R. Smith LLC
PO BOX 400
Canby, OR 97013
Phone: 503-266-2231
Toll Free: 800-824-4387
Fax: 503-266-4334

INTRODUCTION

The purpose of this document is to provide information relating to the safe operation, care, and maintenance of the **MAC (Mobile Aquatic Chair)**.

Intended User:

All of S.R.Smith's mobility units have been designed to assist anyone who has problems entering or exiting a swimming pool or spa - the only restriction is that the User does not exceed the weight limit of the product (300 lb/136 kg). It is the responsibility of the Owner to ensure that the correct safety procedures have been put in place and a risk assessment carried out. If a User is mentally challenged or has severe physical disabilities these issues must be taken into account to determine the number of persons required to complete the transfer onto the seat and the number of persons required to be in the water, ready to receive the User. The seat belt must be attached to the seat and fully fastened and used during each transfer.

Intended Use:

The MAC (Mobile Aquatic Chair) is designed to facilitate transfers to and from a pool via an ADA compliant ramp. Using a MAC will save wear and tear on a user's everyday wheelchair as the MAC is specifically designed to be immersed in water. The MAC has been designed to assist users to enter and exit a swimming pool or spa, and it is not intended for everyday use.

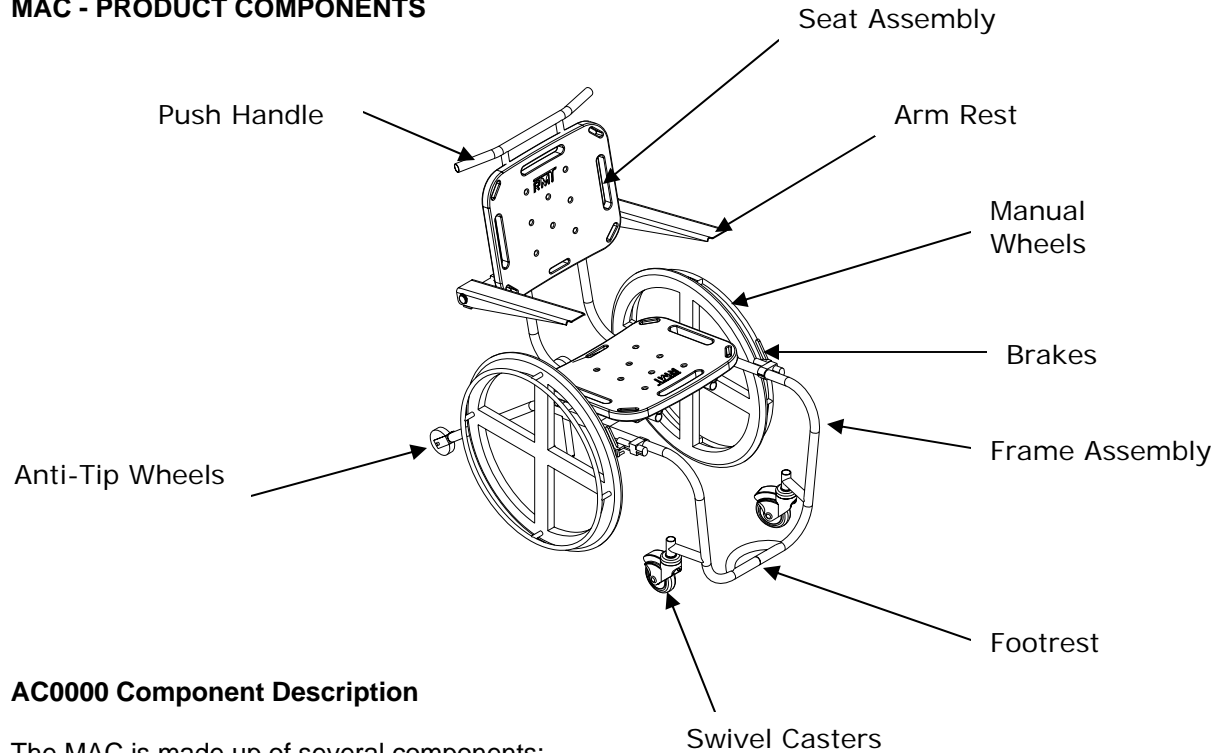
MAC (MOBILE AQUATIC CHAIR) SYSTEM

Product Overview

The MAC (Mobile Aquatic Chair) is designed specifically for the aquatic environment so that individuals with disabilities and mobility impairments can have universal access to residential, hospitality and multi-unit facility swimming pools or spas. The MAC is manually operated with no electrical components. S.R. Smith has designed the safest possible Mobile Aquatic Chair. Following all instructions in the owner's manual and all product labels is necessary to achieve safe, reliable and proper performance of the MAC and avoid injury.

The MAC is intended to be used with swimming pools with ADA compliant ramps. The maximum weight capacity for the MAC is 300 lb/136 kg. Only persons healthy enough for water activities should use the MAC. Users should consult with their physician to determine if water activities are appropriate for the User.

MAC - PRODUCT COMPONENTS



AC0000 Component Description

The MAC is made up of several components:

Unibody Frame Assembly – Supports the Seat Assembly and contains the turning/moving elements of the MAC.

Footrest – Provides support for the User's feet while seated in the MAC. The side rails are tapered to increase the comfort and support for the User's legs as well.

Swivel Casters – The front small wheels swivel to allow for easy turning and greater maneuverability.

Anti-Tip Wheels – These small wheels at the rear of the MAC are designed to keep the MAC from tipping backwards while climbing an incline and to provide added stability while in the water.

Push Handle – Provides an easy and convenient method for a person to move the MAC, with or without a User in the chair.

Arm Rest – Provides support during transport, and can be rotated up out of the way during transfer.

Manual Wheels – The large wheels used during transport. They have easy to grip handles that allow for controlled movement.

Brake – Each Manual Wheel has a brake mounted in front of it. Both brakes must be fully engaged whenever the User is transferring into or out of the MAC, and fully engaged when the MAC is being stored.

Seat Assembly- The seat is manufactured from roto-molded plastic with a stainless steel frame. The MAC comes standard with a seat belt for added safety. The seat belt must be used during operation. It is recommended that the seat be rinsed off with fresh water between each use and cleansed daily with a disinfectant solution of 1:100 dilution of household bleach to fresh water and then rinsed with fresh water. In the event of a contamination incident such as patient/user excreta - cleanse seat and seatbelt immediately with the above disinfectant solution. Do not use seat or seatbelt if it is damaged or becomes worn out.

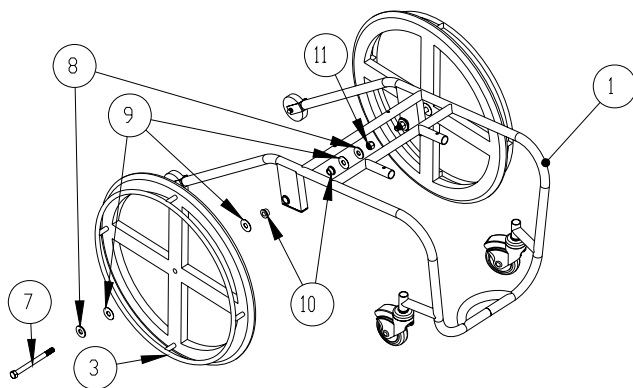
UNPACKING & ASSEMBLY INSTRUCTIONS

REFER TO THE DIAGRAM (below) FOR PARTS IDENTIFICATION.

READ THESE INSTRUCTIONS IN THEIR ENTIRETY BEFORE BEGINNING INSTALLATION

Prior to opening the shipping carton, carefully inspect the external condition of the shipping materials for any visible damage. It is important that any damage be noted on the Bill of Lading prior to signing for the delivery. Contact either S.R. Smith or your dealer immediately to notify us of any damage or missing parts.

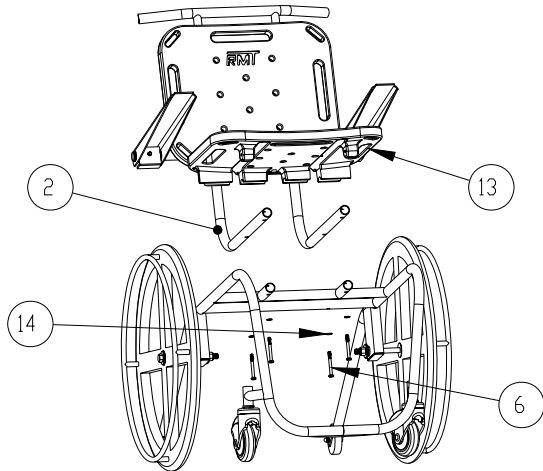
ITEM NO.	PART NUMBER	DESCRIPTION	Default/QTY.
1	AC1000	AQUATIC CHAIR UNIFRAME	1
2	AC2000	AQUATIC CHAIR SEAT	1
3	AC3000	AQUATIC CHAIR WHEEL	2
6	AC3202	1/4" X 2-1/2" HHCS SS	4
7	5-187	1/2" X 6" HHCS SS	2
8	05-14-114	FLAT WASHER, 1/2", SS	4
9	05-616	1/2" ROUND NYLON WASHER	6
10	AC3001	AQUATIC CHAIR BUSHING BR	4
11	800-2003	1/2 - 13 LOCK NUT SS 18-8	2
13	AX2450	PLASTIC SEAT	1
14	AC2002	5/16" ROUND NYLON WASHER	4



The MAC is shipped in a single box and some assembly is required. The tools required for assembly include:
3/4" Socket
3/4" Wrench
5/16" Socket
5mm Allen Head Screwdriver

Unpacking & Assembly Procedure for the MAC:

1. Carefully open box.
2. Remove Seat Assembly (2), Frame Assembly (1), and Seat Pad (13) for attachment.
3. Open hardware package and separate into groups.
4. Remove Manual Wheels (3) from box.
5. Attach the two Manual Wheels to Base Assembly using the following hardware and assembly procedure - Qty. 2 ea. 1/2"-13 x 6" Hex Head Bolt (7), Qty. 4 ea. 1/2" Flat Washer (8), Qty. 6 ea. 1/2" Nylon Washer (9), Qty 4 ea. Bushing (10) and Qty. 2 ea. 1/2" Lock Nut (11). Place the Frame Assembly on one side. Thread the hex head bolt (7) through one flat washer (8) and one nylon washer (9) then through the Manual Wheel (3) (so that the grip handles are facing away from the frame) and through one nylon washer (9), one bushing (10) and through the Wheel Support on the Frame Assembly. Then slide one bushing (10), one nylon washer (9) and one flat washer (8) onto the hex head bolt (7) securing the entire assembly with one lock nut (11). Tighten the lock nut using the 3/4" socket and 3/4" wrench. Repeat the process for the other Manual Wheel.
6. With the MAC resting upright on its wheels make sure both brakes function properly. The brakes are mounted at the factory. Make sure both brakes are located so that they fully restrict movement of the Manual Wheels when applied. If required, the brakes can be adjusted using a 5mm Allen wrench – loosen the two mounting screws and reposition the brake assembly so that when the brakes are fully engaged they fully restrict movement of both Manual Wheels.



7. Thread the bolts into the Seat Pad (13), through the Frame Assembly (1) and the Seat Assembly (2), using Qty. 4 ea. ¼"-20 x 2 ½" Hex Head Bolts (6), and 5/16" Round Nylon Washer (14). Make sure all bolts are fully tightened.
8. Check the seatbelt for proper functionality - thread loose end of belt strap through buckle - pull tight - to close - press latch down on belt material.

USING THE MAC—MOBILE AQUATIC CHAIR

Obey all User Instructions listed in the Owners Manual whenever using the MAC. Obey all Caution, Warning, Operating Instruction(s) and Labels located on the MAC whenever using. It is the responsibility of the MAC Owner to ensure that the correct safety procedures have been put in place and a risk assessment carried out. If a User is mentally challenged or has severe physical disabilities these issues must be taken into account to determine the number of persons required to complete the transfer onto the seat and the number of persons required to be in the water, ready to receive the User. If the MAC will be used by a disabled person living on their own, a communication device should be installed in the area of use to call for assistance in the event of an emergency. Only persons healthy enough for water activities should use the MAC. Users should consult with their physician to determine if water activities are appropriate for the User. Keep fingers and hands clear of wheels and other moving parts during use.

TRANSFERRING

Once the unit is positioned for use, use the following procedure to transfer to the seat and into the water. Only persons healthy enough for water activities should use the MAC. Users should consult with their physician to determine if water activities are appropriate for the User:

- Ensure that the MAC is in a safe, level position.
- Fully engage both brakes – locking the wheels.
- Transfer onto the seat, ensuring that the User's weight is centered on seat. Ensure arm rests are rotated to the fully up position during transfer. If User has a wheelchair, keep the wheelchair close by for easy retrieval. Lower arm rests after transfer.
- Fasten Seat Belt - thread loose end of belt strap through buckle - pull tight - to close - press latch down on belt material.
- MAC can be operated by the User or with assistance.
- Move the MAC down the ramp and into the pool.
- Unfasten Seat Belt - grasp latch and lift up, pull loose end from latch.
- Exit MAC.
- When finished, return to the seat, ensuring user's weight is centered on seat.
- Fasten Seat Belt.
- Exit pool by moving up the ramp. Rear stabilizing wheels will insure that the User does not tip backwards.
- Fully engage both brakes – locking the wheels
- Unfasten Seat Belt or optional Stability Vest.
- Rotate armrests up.
- Transfer off of the seat.

MAINTENANCE and CLEANSING

Minimal maintenance will prolong the life of your MAC.

Owners of the Aquatic Chair should be aware of any applicable local, state/provincial or federal/national regulations regarding the inspection and or testing of Aquatic Chairs.

The following schedule shall be performed to insure proper operation with the Daily items performed before each use:

Maintenance Performed	Daily	Weekly	Monthly
Examine MAC for any damage, loose or missing hardware	✓		
Test for normal operation	✓		
Inspect MAC base assembly, arm rest, and seat assembly for signs of corrosion			✓
Cleansing Performed – after each use			
Rinse seat and seatbelt with fresh water between each use - Cleanse seat and seatbelt/stability vest with a disinfectant solution of 1:100 dilution of household bleach to fresh water and then rinse entire MAC with fresh water and dry daily. In the event of a contamination incident such patient/user excreta - cleanse seat and seatbelt/stability vest immediately with the disinfectant solution*	✓		
Cleanse all metallic surfaces with a cleaner wax to maintain the finish of the MAC			✓

** When using the disinfection solution avoid direct contact with the skin and eyes. In the event of a contamination incident - immerse the seat belt or stability vest in the disinfection solution for 10 min. and then rinse thoroughly with fresh water.*

LONG-TERM STORAGE

When storing the MAC for an extended period of time:

- Wash seat with disinfectant solution and then rinse with fresh water and dry MAC
- Store in a dry location away from pool chemicals

Questions/Comments - Contact us at 800.824.4387 or 503-266-2231 or info@srsmith.com. For information regarding Authorized Resellers worldwide visit www.srsmith.com

WARRANTY INFORMATION

S.R. Smith, LLC warrants to the original retail purchaser that products manufactured by S.R. Smith, when properly assembled and installed in accordance with S.R. Smith's assembly and installation instructions, and properly used and maintained, shall be free from defects in material and workmanship for a period of three (3) years from the date of original manufacture except for the following items: WetDek™ (1 year) and PoolSonix™ (2 years). The original retail purchaser must follow the procedure set forth below when submitting a warranty claim. S.R. Smith will repair or replace, at its option, the product, and return it to the owner freight prepaid. Determination of repair or replacement shall be solely at the discretion of S.R. Smith. Aquatic lift systems, components and batteries have a separate warranty, set forth below.

All Aquatic Lifting Systems have a three (3) year warranty on the frame, excluding the powder coated paint finish, which may become scratched with normal use. All electronic and motor components, with the exception of batteries, have a full two (2) year warranty. Within the warranty period, S.R. Smith will repair or replace any item deemed to be found defective. Lift batteries come with a one-year pro-rated warranty. During the first 90 days of ownership, batteries will be covered 100%. If a battery failure occurs between day 91 and day 365, batteries are covered at 50% of the original cost. Normal maintenance and care of the unit, including charging of the battery when not in use is recommended. Do not store the unit, battery or components near or around chemicals.

The warranty is non-transferable and is subject to the following terms and conditions ([View complete S.R. Smith Terms & Conditions](#)):

S.R. Smith shall not be responsible for the cost of removal or replacement of any defective S.R. Smith product, nor for any other expenses or for damages which might be incurred in such removal and replacement.

This warranty specifically excludes fading of materials, microbiological staining of diving boards or pool slides and rust or corrosion of any metallic products or parts. Refer to S.R. Smith care and maintenance instructions for regular maintenance and cleaning of S.R. Smith Products. Maintenance instructions can be found at www.srsmith.com/care.php.

This warranty relates only to defects in materials and workmanship and does not include damage or failure resulting from other causes, including, but not limited to Acts of God, misuse or abuse, accident or negligence, fire, improper assembly or installation, chipping or flaking of powder or vinyl coatings, or ice damage. Damage induced by the improper use of chemicals is not covered by this warranty. In the event that products are altered or repaired by anyone without the prior written approval of S.R. Smith, all warranties are void.

IMPORTANT: WEIGHT LIMIT ON DIVING BOARDS, JUMP BOARDS, STANDS, SLIDES, LADDERS AND LADDER STEPS SHALL BE NOT MORE THAN 250 POUNDS. EXCEPTIONS: FRONTIER IV BOARD AND BASE NOT MORE THAN 400 POUNDS. TURBOTWISTER AND TYPHOON SLIDES NOT MORE THAN 275 POUNDS. CYCLONE SLIDE NOT MORE THAN 175 POUNDS. VORTEX SLIDES NOT MORE THAN 325 POUNDS.

S.R. Smith shall not be liable for any consequential, special or incidental damages, including, but not limited to any damages for loss of use of pools or injury to person or property, and any claims therefore are hereby specifically disclaimed and excluded. Some states do not allow the exclusion or limitation of incidental, special or consequential damages, so the above limitation or exclusion may not apply to you. This warranty gives you specific legal rights and you may also have other rights, which may vary from state to state. The warranty is extended to, and enforceable only by the original retail purchaser.

If any S.R. Smith products fail during the warranty period as a result of a defect in material or workmanship covered by this warranty, the original retail purchaser must notify S.R. Smith via www.srsmith.com/warranty.php. This notice from the original retail purchaser must contain all pertinent product information as outlined in the warranty claim form. S.R. Smith will determine if the product is to be returned to the factory or will ask that (1) the defective area and (2) the part of the product stamped with the serial number be removed and returned. Product pieces must be cleaned and returned freight prepaid to S.R. Smith's facility at either 1017 SW Berg Parkway, Canby, OR 97013 or 105 Challenger Drive, Portland, TN 37418 as determined by S.R. Smith.

THE WARRANTY SET FORTH HEREIN IS IN LIEU OF ALL OTHER WARRANTIES, EXPRESSED OR IMPLIED, WHICH ARE HEREBY DISCLAIMED AND EXCLUDED, INCLUDING WITHOUT LIMITATION ANY WARRANTY OF MERCHANTABILITY OR FITNESS FOR A PARTICULAR PURPOSE OR USE.

THE SOLE AND EXCLUSIVE REMEDIES FOR BREACH OF ANY AND ALL WARRANTIES WITH RESPECT TO THE PRODUCTS SHALL BE LIMITED TO REPAIR OR REPLACEMENT AT S.R. SMITH'S DESIGNATED FACTORY OR IN PLACE AT S.R. SMITH'S OPTION. IN NO EVENT SHALL S.R. SMITH'S LIABILITY EXCEED THE ENTIRE AMOUNT PAID TO S.R. SMITH BY THE ORIGINAL PURCHASER FOR THE FAILED OR DEFECTIVE PRODUCT.

IN NO EVENT SHALL S.R. SMITH BE LIABLE FOR ANY INCIDENTAL, CONSEQUENTIAL, SPECIAL, INDIRECT, PUNITIVE OR EXEMPLARY DAMAGES OR LOST PROFITS FROM ANY BREACH OF THIS LIMITED WARRANTY OR OTHERWISE.

No representative of S.R. Smith, nor any of its agents, distributors or dealers has any authority to alter in any manner the terms of this warranty and S.R. Smith is not responsible for any undertaking, representation or warranty made by any other person beyond the warranty expressly set forth in this warranty.

Warranty Procedures

The S.R. Smith warranty becomes effective on the date of manufacture.

To initiate a warranty replacement, Please follow the process outlined below.

1. **Take photos of the damaged product.**
 - a) The photo must include the entire unit (i.e. board and stand or slide from a distance).
 - b) Also include one photo or more of the damaged area.
2. **Remove the serial # sticker from the product.**
 - a) S.R. Smith provides a serial # for every board, stand, slide and rail product we produce. The sticker with the serial number for our boards, stands and slides is a silver, 1" long rectangular sticker found on the side or bottom of the item. The serial # sticker for our rail products is clear and 2" long. It will be found on the inside of the topmost curve.
3. **Attach the photos and the serial # sticker to a written request for replacement under the S.R. Smith warranty.** Please include the following information:
 - a) Product name and description. (i.e.: board length/color, curve direction of slide, etc.)
 - b) Date of purchase and/or date of installation.
 - c) Description of damage.
 - d) Shipping address with a contact name and phone number.
4. **Return to us by mail the photos, serial # sticker and your written request to:**
S.R. Smith, LLC
PO Box 400
1017 SW Berg Pkwy
Canby, OR 97013
Attn: Warranty Specialist

****Please Note:** Missing information will result in a processing delay and possibly denial of your claim.

Should you have any questions regarding this process, please contact
S.R. Smith's Warranty specialist at 800.824.4387 or email warranty@srsmith.com

MAC – MOBILE AQUATIC CHAIR PARTS LIST

Part Number	Description	Quantity
AC1000	AQUATIC CHAIR FRAME	1
800-2007	PLUG ROUND POLYETHELENE – 1" BLACK	2
AC2100	AQUATIC CHAIR SEAT FRAME TUBE	2
AX2450	AXS SEAT	2
AX2320	ARMREST ASSEMBLY	2
AC2500	AQUATIC CHAIR SEAT PUSH BAR	1
8-600	GRIPS	2
AX9003	AXS SEAT BELT ASSEMBLY	1
AC3000	AQUATIC CHAIR WHEEL	2
AC3001	AQUATIC CHAIR BUSHING BRASS	4
5-187	½" X 6" HHCS, SS	2
05-616	½" NYLON WASHER	6
05-14-114	½" FLAT WASHER SS	4
800-2003	½" LOCK NUT SS	2
AC3100	AQUATIC CHAIR CASTER	2
AC3200	AQUATIC CHAIR REAR WHEEL	2
AC3201	¼" X 1-1/2" HHCS, SS	2
5-193	¼" ACORN NUT SS	2
5-143	¼" FLAT WASHER SS	4
AC3202	¼" X 2-1/2" HHCS SS	4