



REPLACING THE LIFTOPERATOR™

1. Unplug all cable connections to the LIFTOPERATOR. Remove the battery and locate the Torx screw at the top of the LIFTOPERATOR. (FIG.2)

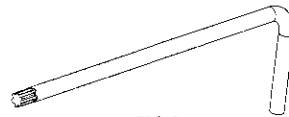


FIG.1

2. Remove the Torx screw, using the provided T-20 wrench. (FIG.1) Once the screw is removed, slide the LIFTOPERATOR up and away.
3. Replace the old LIFTOPERATOR with the new one by sliding the LIFTOPERATOR box over the mount plate tabs. (FIG.3) Then secure the LIFTOPERATOR with the Torx screw, as shown below. (FIG.4)

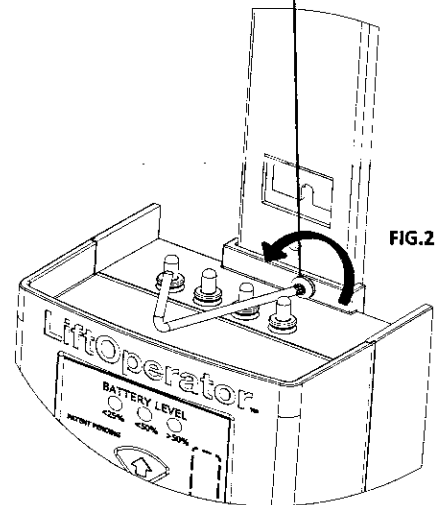
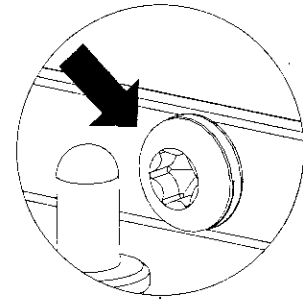


FIG.2

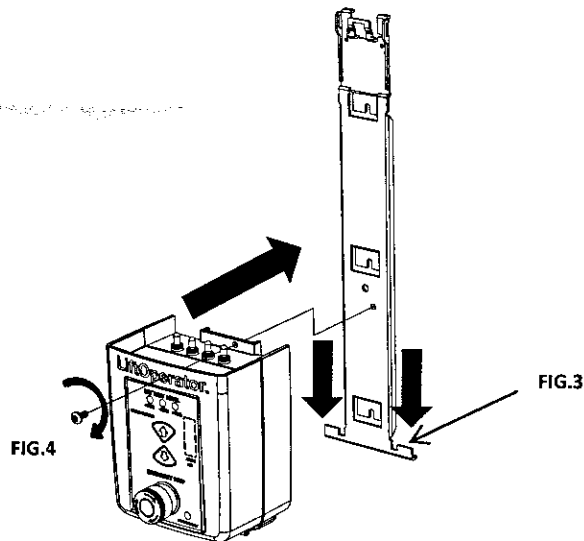


FIG.3

FIG.4

4. Connect the hand-control (HC), the 24V motor and the Actuator (AR) as illustrated. (FIG.5)
5. Attach the battery and test the lift. If the function of the lift does not match the button pressed, switch the plugs and re-test.

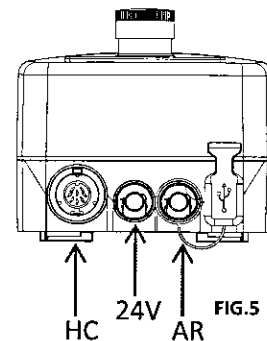


FIG.5

IF YOU HAVE ANY QUESTIONS PLEASE CONTACT
CUSTOMER SERVICE AT 1-800-824-4387
sales@srsmith.com