

kēloXL LED Light



Intertek

4005496

ETL LISTED

Conforms to UL STD 676

Certified to CSA STD C22.2 #89

Installation Instructions

Read all instructions before attempting to perform installation work
Installation information applies to both RGB and White Light only models

Contents

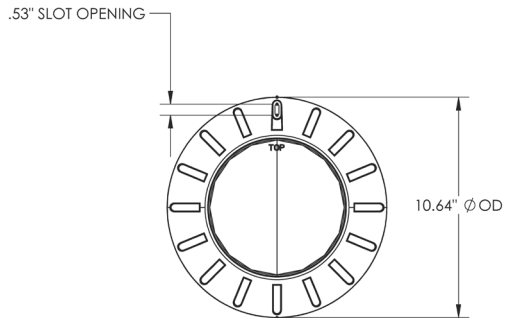
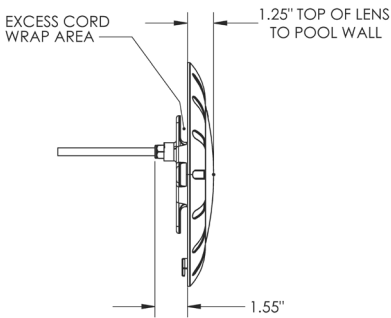
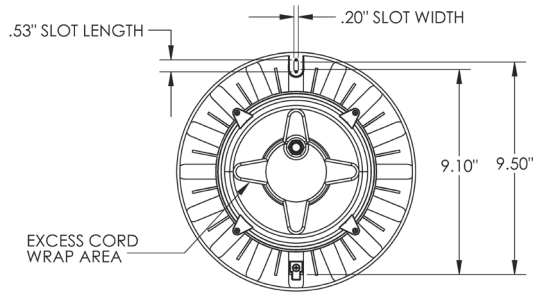
OVERALL DIMENSIONS.....	3
FCC DECLARATION OF CONFORMITY	4
IMPORTANT INSTALLATION INFORMATION	4
INSTALLATION INSTRUCTIONS.....	5
BASIC OPERATION.....	7
THERMAL PROTECTION.....	7
WINTERIZATION	8

Thank you for purchasing the S.R. Smith **kēloXL**, 10" class LED Light for underwater retrofit wet-niche lighting applications. This light should fit applications where the niche retaining tab slot-to-pilot screw span is within 9.10" to 9.50" (up to 9.65" in certain niche conditions). Will not fit Swimquip niche applications.

NOTE - Niche must be in good condition and have the appropriate pilot screw for the niche. This lighting product does not require bonding nor does it provide a bonding provision so if niche bonding is required, the niche must have a separate bonding mechanism.

Install with large niches with similar mounting dimensions to model numbers:

- Jandy: PLNICLRG, PLNICVFLRG, SSNICLRG1R
- Pentair: 620004, 78210200 thru 700, 78210401, 79206700
- Hayward: SPO600U
- Sta-Rite: 05161-2352 thru 2369, 05163-2395 thru 2396



ELECTRICAL SPECIFICATIONS

Input voltage: 12VAC
 Color Change (RGB): 38 Watts max
 White Only: 42 Watts max

Color control through power toggle triggers only.

Not compatible with S.R.Smith PLX-PRM Controller

INPUT VOLTAGE RANGE	CORD LENGTH	STARTING VOLTAGE SETTING
(based on S.R.Smith PLX-PW, PL 60W or 100W LV power unit - assumes 120VAC input line voltage)	up to 80'	12VAC
	up to 150'	13VAC
	150' +	3rd party unit 14-15VAC

FCC DECLARATION OF CONFORMITY

This device complies with Part 15 of the FCC Rules. Operation is subject to the following two conditions:

- (1) this device may not cause harmful interference, and
- (2) this device must accept any interference received, including interference that may cause undesired operation.

FCC WARNING

NOTE: Changes or modifications of this product not expressly approved by the party responsible for compliance could void the user's authority to operate the equipment.

NOTE: This equipment has been tested and found to comply with the limits for a Class B digital device, pursuant to Part 15 of the FCC Rules. These limits are designed to provide reasonable protection against harmful interference in a residential installation. This equipment generates, uses and can radiate radio frequency energy and, if not installed and used in accordance with the instructions, may cause harmful interference to radio communications. However, there is no guarantee that interference will not occur in a particular installation.

If this equipment does cause harmful interference to radio or television reception, which can be determined by turning the equipment off and on, the user is encouraged to try to correct the interference by one or more of the following measures

- Reorient or relocate the receiving antenna.
- Increase the separation between the equipment and receiver.
- Connect the equipment into an outlet on a circuit different from that to which the receiver is connected.
- Consult the dealer or an experienced radio/TV technician for help.

**THIS DEVICE IS NOT INTENDED FOR USE WITH EMERGENCY EXITS
NE CONVIENT PAS AUX SORTIES DE SECOURS**

IMPORTANT

1. Ensure that the electrical system for your pool conforms with all requirements of the National Electrical Code (NEC) and all relevant local codes and ordinances.
2. This 12V Underwater Light must be installed in accordance with the National Electrical Code by a Certified Electrician or a Qualified Pool Technician.
NOTE: No Bonding to the light is required as the fixture is all plastic construction and complies with NEC article 680 Requirements.
3. Waterproof conduit must be present and in good working order from the niche to the 'above ground' junction box or power supply equipment listed for the application.
4. For supply connection, use only an isolating low voltage power supply with ungrounded output, evaluated for swimming pool use. Raccorder uniquement à une alimentation convenant à des luminaires submersibles.
5. **DO NOT CONNECT THIS 12V LIGHT DIRECTLY TO A 120VAC CIRCUIT - LIGHT WILL BE DAMAGED.**
6. Install your S.R. Smith **kēloXL** LED Light/s as outlined in the following detailed instructions.

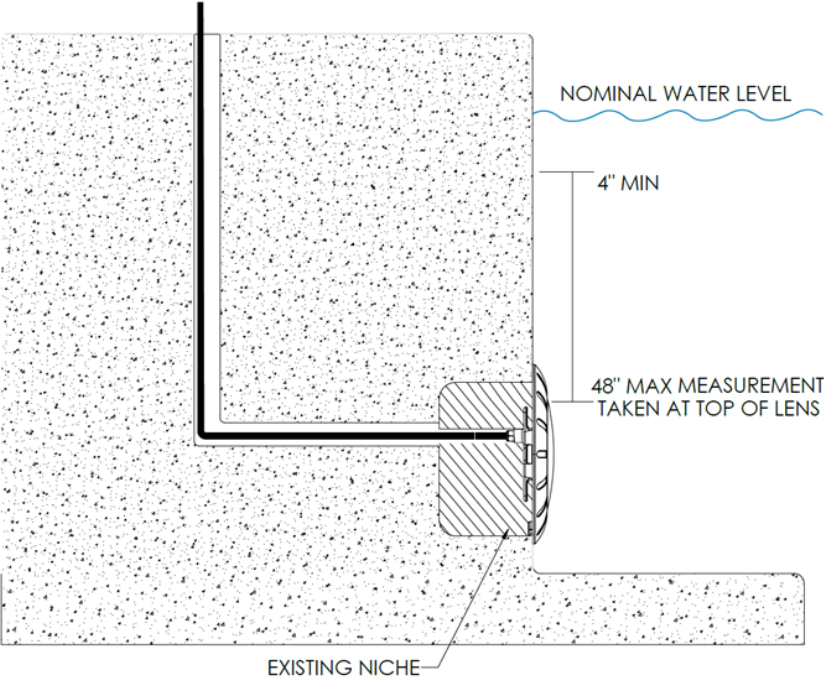
INSTALLATION INSTRUCTIONS

Installation instructions for S.R.Smith **kēloXL** 10” class LED series to common/existing wet-niche applications for concrete, fiberglass, and vinyl liner pools or spas

1. Make sure that all electrical circuits and connections related to the light install are de-energized and rendered safe.
2. Per NEC Article 680.23 (5) - Lights are to be installed in no less than 18” (450mm) below the normal water level unless the luminaire is listed and identified for use at lesser depths. **S.R. Smith lights are listed and identified for use at depths no less than 4” (100mm) below the normal water level.** All depth measurements are from the normal water level to the top of the Luminaire lens. Existing niches should be located to meet these minimums. See Figure A for additional details.
3. While a wet removal of the existing niche light is possible, it is not recommended to be attempted by inexperienced installers. S.R.Smith recommends that the water level be dropped to make the installation as easy as possible.
4. Locate the conduit on the equipment side for the light’s low voltage cable (including the junction box if applicable) and ensure that a pull line is run to pull the light cable through from the pool side.
5. Attach the pull line to the end of the **kēloXL** power cable with several wraps of electrical tape or best method to aid in pulling the power cable through the conduit. Gently but firmly pull the cable through the conduit to the equipment or junction box if applicable. **DO NOT** use excessive force as the cord may be damaged during the pull. Depending on the layout and internal structure of the conduit, water-based conduit lubricant may be required to enable an easier cord pull.
6. Pull the cord through the conduit to the desired location leaving 2-3 feet (or more if the depth at the niche location is deeper) of slack at the pool niche end. While the **kēloXL** is not a serviceable light, leaving the slack coiled in the niche will provide flexible access for accessory items, such as alternate trim plates or replacement slot tab parts. It may also help with winterization depending on the installer’s preferred method.
7. Locate and unscrew the niche pilot screw and keep it on hand.
8. Locate the tab slot in the niche at the 6 o’ clock position and position the tab on the **kēloXL** to fit in that slot. In some cases, on concrete pools, the slot may be a bit too deep relative to the finished surface of the pool wall. The screw holding the tab on the **kēloXL** may be unscrewed up to 2.5 turns max to allow for this variance. If more depth is needed, an alternate accessory tab part may be required for installation.
9. Once the tab is placed in the niche slot at the 6 o’ clock position, locate the niche’s pilot screw hole through the pilot screw slot on the **kēloXL**. Use the existing pilot screw to secure the **kēloXL** to the pool niche. **DO NOT** over tighten the screw, it only needs to be snug against the wall and further tightening will not make it more secure.
10. Connect the red / black wire conductors of the S.R.Smith **kēloXL** to an approved, low voltage, Class 2, Magnetic Isolation type transformer that complies with UL379 or an S.R.Smith *poolLUX™ branded power unit operating between 12 - 14VAC (rated @ 50W per light) as required by NEC or relevant local codes. As the operation is Low Voltage AC power, there is no polarity requirement.
11. The **kēloXL** is now ready for use and will operate similar to most of the other S.R.Smith LED lights. See the next section for operation of your new **kēloXL**.

Fig A. Water depth illustration - **kēloXL** profile

Luminaire is listed and identified for use at 4" or more below the normal water level of the pool.



BASIC OPERATION

FOR LED COLOR CHANGING MODELS (RGB)

WHITE ONLY LAMPS ARE SIMPLY ON OR OFF

When connected to an approved, 12VAC, Class 2 power supply - The S.R.Smith **kēloXL** LED color changing light uses simple 'off / on' power switching to control the basic, pre-defined color modes with memory function.

MEMORY

The memory function remembers the last color setting. For example, if the light was last used in the blue mode, the next time the light is turned on it will be blue mode.

COLOR MODE SELECTION

The LED will turn on to the color in memory. To move to the next color mode, quickly (within one second or faster) toggle the power to the lights 'OFF / ON'.

Advance through the modes until the desired mode is selected. The modes will cycle 1,2,3,4,5,6,7,8, then cycle back to 1. See table below for details.

COLOR MODE SELECTION GUIDE	
Mode 1	Soft Color Change
Mode 2	White
Mode 3	Blue
Mode 4	Green
Mode 5	Red
Mode 6	Amber
Mode 7	Magenta
Mode 8	Flash Color Change

COLOR SYNC RESET

To synchronize all lights on the system including older *Fiberstars LED Series Pool lights, you must use the following sequence:

1. Turn lights 'ON' to confirm the color modes are out of sync.
2. Turn lights 'OFF' for 5 seconds or more.
3. Toggles lights 'ON' / OFF' three times within three seconds - must end in 'OFF' condition
4. Leave lights in 'OFF' condition for 5 seconds.
5. Turn lights 'ON' and confirm that all lights are in mode #1, Soft Color Change

*Older Fiberstars LED lights can synchronize with the newest generation lights ONLY if they have their DIP switches in their default, 'All Down' position. In a mixed environment, the Color Sync Reset will need to be performed each time the lights are used, and color synchronization is desired.



THERMAL PROTECTION

This sealed light is equipped with thermal protection circuitry. If the circuit detects that the light is getting too hot for a given environment, it will automatically reduce the brightness in increments until the light reaches a safe thermal threshold. If this condition occurs, it may or may not be noticeable by the human eye and is a normal operating function, not a sign of malfunction or failure.

WINTERIZATION RECOMMENDATIONS

Swimming Pools may or may not be drained completely. If not drained completely, the water level should be lowered below the S.R.Smith **kēloXL** / niche location and make sure that all water is drained from the niche and conduit if applicable. The **kēloXL** may be disengaged from the niche and brought up to the deck and secured under a sturdy covering for the winter period. Alternatively, the **kēloXL** may be disengaged as before but if enough cord has been left in the niche, the light may be sunk to the bottom of the pool during the winter season. Weights may be needed to hold it place.

NOTE - If water is trapped in the conduit, damage may occur from freeze expansion.

Questions?

Contact One of Our Dedicated Lighting Specialists. **1-800-824-4387** x4012 or x2282



S.R.Smith, LLC
800.824.4387
srsmith.com