

# Frontier II Stand



The Frontier II is a high-value stand and board ideal for price-sensitive customers.

- Made of strong steel and powder-coated white for increased corrosion resistance
- 6' or 8' lengths
- Stand comes in white, with your choice of board color to match your pool slide and backyard décor
- Stainless steel hardware for added corrosion resistance
- Board has a matching non-slip sanded tread

## Stand Color



RADIANT WHITE

## Board Colors



RADIANT WHITE



MARINE BLUE



TAUPE



PEWTER GRAY



SANDSTONE



GRAY GRANITE\*

Due to printing technology actual color may differ.

Due to differences in material and textures, Gray Granite Diving Boards and Stands are not an exact color match to Gray Granite Slides. Please consult your S.R.Smith sales representative for more details.

All installations must comply with all applicable local and national codes and installation must be completed in accordance with S.R.Smith installation instructions.

## Compatible with:



Frontier II Board

## Frontier II Jump Stand with Frontier II Board\*

Model No.	Size	Color	Shipping (2 boxes)			
			Weight	Length	Width	Height
68-209-586610T	6'	Taupe				
68-209-58662	6'	Radiant White				
68-209-586620T	6'	Pewter Gray	52 lbs 24kg	74" 188cm	20" 51cm	3" 8cm
68-209-58663T	6'	Marine Blue	27 lbs 12kg	34" 86cm	8" 20cm	8" 20cm
68-209-586623	6'	Pebble**				
68-209-586624	6'	Gray Granite**				
68-209-586810T	8'	Taupe				
68-209-58682	8'	Radiant White				
68-209-586820T	8'	Pewter Gray	70 lbs 32kg	98" 249cm	20" 51cm	3" 8cm
68-209-58683T	8'	Marine Blue	34 lbs 15kg	41" 104cm	9" 23cm	7" 18cm
68-209-586823	8'	Pebble**				
68-209-586824	8'	Gray Granite**				

### Notes:

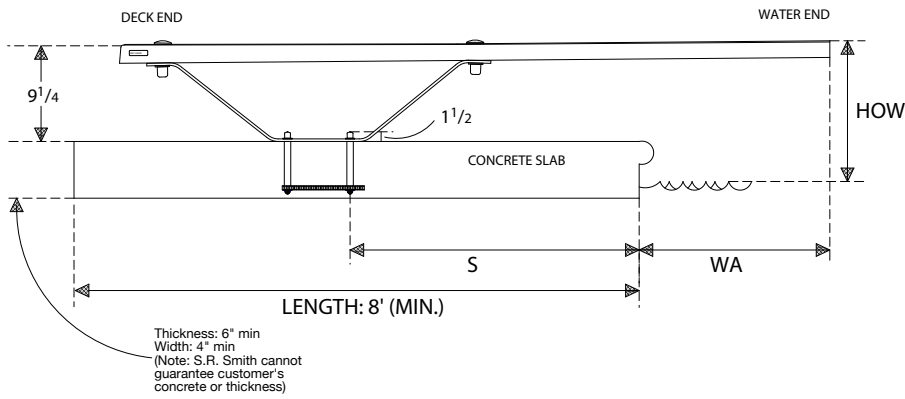
- Board and tread are matching in color, drop the T for board with white tread

\* Not recommended for salt pools

\*\* Clear tread

## Frontier II Bases & Jig

Model No.	Size	Color	Shipping			
			Weight	Length	Width	Height
69-209-5866	6'	Spring Base only	26.5 lbs 12kg	34" 86cm	8" 20cm	8" 20cm
69-209-5888	8'	Spring Base only	34 lbs 15kg	41" 104cm	9" 23cm	7" 18cm
69-209-227-SS	Jig only (included with base)		3 lbs 1kg	7" 18cm	7" 18cm	7" 18cm

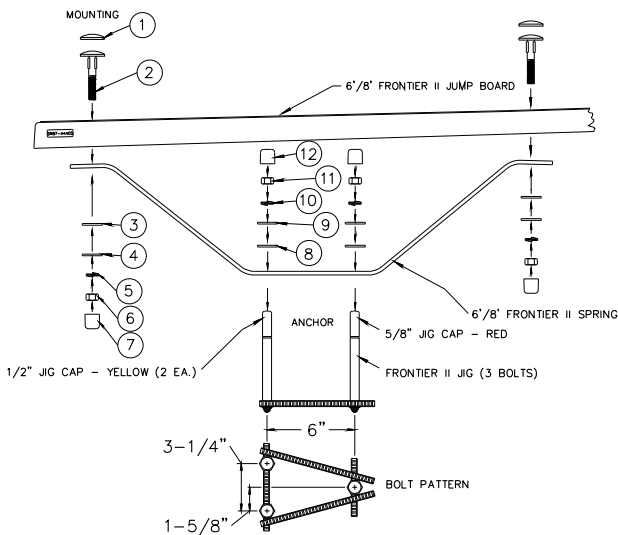


### Installation Dimensions

Diving Board Size	ANSI/NSPI-5 Pool Type	Distance for setting front bolt of jig from water's edge (S)**	Minimum overhang (WA)*	Maximum height of board above water (HOW)
6'	I	26"	18"	20"
	II	26"	18"	20"
	III	20"	24"	26"
	IV	14"	30"	30"
8'	III	34"	24"	26"
	IV	28"	30"	30"
	V	22"	36"	40"

\*S and WA dimensions are valid only in conjunction with minimum depth at point A

\*\*When coping is used do not set front bolts of jig closer than 3" from the back edge of the coping



Key	Part No.	Description	Kit A	Kit B
A	69-209-032-SS	Frontier II Mounting Bolt Kit		
B	69-209-033-SS	Frontier II Spring Anchor Bolt Kit		
1		Step Bolt Head Cap, white rubber (3 ea.)	•	
2		1/2" x 3" Large Step Bolt, SS (3 ea.)	•	
3		1/2" x 1 1/2" Round Nylon Washer (3 ea.)	•	
4		1/2" x 1 3/8" Flat Washer, SS (3 ea.)	•	
5		1/2" Lock Washer, SS (3 ea.)	•	
6		1/2" Hex Nut, SS (3 ea.)	•	
7		1/2" White Plastic Nut Cap (3 ea.)	•	
8		5/8" x 1 3/4" Nylon Washer (3 ea.)		•
9		5/8" x 1 3/4" Flat Washer, SS (3 ea.)		•
10		5/8" Lock Washer, SS (3 ea.)		•
11		5/8" Hex Nut, SS (3 ea.)		•
12		5/8" White Rubber Nut Cap (3 ea.)		•
	75-209-5869-SS	Epoxy Kit with (3) 5/8" bolts		