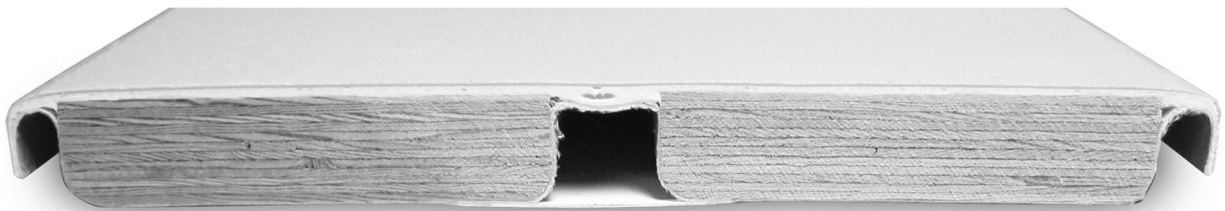




# EDGE DIVING SYSTEM

## ASSEMBLY & INSTALLATION INSTRUCTIONS



**ATTENTION! THESE INSTRUCTIONS MUST  
REMAIN WITH PLATFORM OWNER**

**\*\*PROFESSIONAL INSTALLATION RECOMMENDED\*\***

S.R.Smith, LLC  
800.824.4387

[srsmith.com](http://srsmith.com)

Copyright © 2019 S.R.Smith, LLC All rights reserved.



## **WARNING: IMPORTANT INSTALLATION INFORMATION**

The installation of this product should be done only by a licensed and professional installer. Installation should be done strictly in conformance with all local building codes, electrical codes and other building and safety laws and regulations. Among other things, that your installer should carefully analyze the need to bond the product to prevent an electrical hazard. Failure to properly install this product could result in a dangerous condition, including but not limited to electrical and or structural hazards. S.R.Smith. disclaims all liability arising from the installation and the user assumes all risk associated with the installation.

For Technical Support or Assistance, Contact Customer Service at:

Canby, Oregon | 800.824.4387  
srsmith.com

For warranty information:  
srsmith.com/warranty

To obtain complete copies of the ANSI/APSP/ICC-5 2011 Standard for Residential In-ground Pools or to obtain copies of the “Plan Your Dive, Steer Up” or “The Sensible Way to Enjoy Your In-ground Swimming Pool” contact:

The Association of Pool & Spa Professionals (APSP)  
2111 Eisenhower Ave.  
Alexandria, VA 22314  
(703) 838-0083  
www.theapsp.org

TABLE OF CONTENTS:

Safety First ..... 2-3

Important Notices to the Installer..... 4

Minimum Diving Water Envelope Information ..... 5

Edge Fiberglass Base Placement..... 6

Edge Diving Board Dimensions ..... 7

Edge Jig Information..... 7

Installation Instructions ..... 7-8

Edge Fiberglass Base Exploded View & Parts List..... 9

Article 5 Extracted from ANSI/APSP/ICC-5 2011 ..... 10-15

**! WARNING SAFETY FIRST!**

This S.R.Smith diving board and stand shall be installed only by a professional swimming pool contractor or with the direct supervision of a licensed professional, engineer or architect. Diving boards may be installed only on residential in-ground swimming pools properly designed for their use.

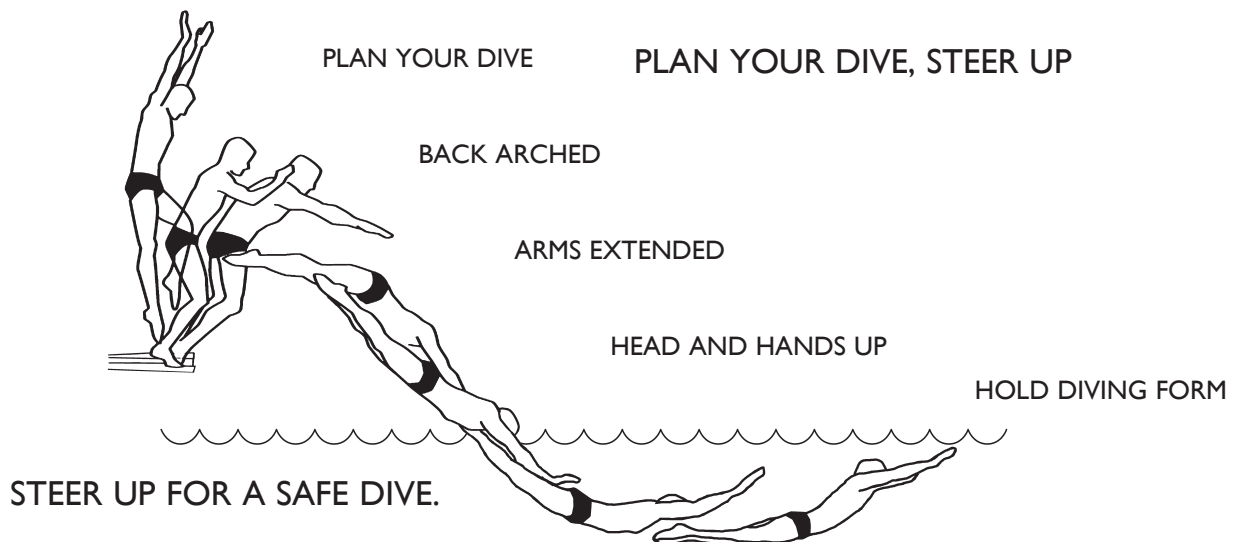
Diving boards that are improperly installed can be very dangerous to the user resulting in possible serious head and/or spinal column injury, including the paralysis or death of the user.

It is very important that this diving board and/or stand be installed only on a pool that is built in strict accordance with the American National Standard for Residential In-ground Swimming Pools (ANSI/APSP/ICC-5 2011) and in strict accordance with the included S.R.SMITH RESIDENTIAL POOL SPECIFICATIONS TABLE 2. Under no circumstances can this diving board and/or stand be installed on any above ground or on-ground swimming pool.

In addition to the above standard and referenced table, these installation instructions provided by S.R.Smith must be diligently followed.

It is also important that any and all warnings provided with the diving board be strictly adhered to and posted in a conspicuous location. If not provided or they are misplaced, please purchase warning signs from your pool contractor or professional pool supply store and post them in a location that the users of the diving board can clearly see.

**FOR RESIDENTIAL IN-GROUND SWIMMING POOL USE ONLY  
NO COMMERCIAL, PUBLIC OR SEMI-PUBLIC USE IS ALLOWED  
ONLY ONE PERSON ON THE DIVING BOARD AT ONE TIME  
MAXIMUM WEIGHT = 300 LBS**



**DIVING TIPS:** Even the safest equipment must be used properly. S.R.Smith promotes safe diving by offering these tips on the proper use of your diving board: always dive into water that meets depth requirements, with arms extended; be aware of the bottom and the walls of the pool; avoid collisions with pool toys and floats; and instruct your pool users to always “steer up”. When you begin your dive you must get ready to steer up. As you enter the water, your arms must be extended over your head, hands flat aiming up. Hold your head and arch your back.



## INTENDED USE INSTRUCTIONS

“A pool is the safest place to swim and a diving board installed in compliance with manufacturers instructions and the ANSI/APSP/ICC-5 2011 Standard for In-ground Residential Pools is the safest place to dive from. To ensure that you and your family and guests are able to safely enjoy your diving board for many years, it is critical that you follow the following instructions.”

### DO

1. Know the shape and depth of the pool before you dive.
2. Make sure that all family members and guests are familiar with these instructions before they use your pool and diving board.
3. Make sure that the diving board has been installed in compliance with the Assembly and Installation Instructions and with the ANSI/APSP/ ICC-5 2011 Standard for In-ground Residential Pools. This includes the shape and depth of the pool as well as the height of the diving board.
4. Enter feet first the first time.
5. Plan your path to be sure you avoid any other swimmers, or objects in or under the water, such as floats, tires, toys etc.
6. Keep your head up, arms up and fully extended and steer up with your hands.
7. Practice carefully before you dive headfirst.
8. Become familiar with the diving board and its spring before diving headfirst
9. Dive straight ahead, not to the side of the board or pool.
10. Dive from the diving board only.
11. Make sure that children and non-swimmers are supervised at all times.
12. Always remember that when you dive you must steer up.
13. Inspect your diving board, base and stand on a regular basis (at least twice a year) and keep them in proper repair.
14. Contact your dealer, installer or S.R.Smith (800-737-5386) with any questions or concerns about the safe use of your diving board.

### DON'T

1. Don't drink and dive.
2. Don't install this or any diving board on an above ground pool or dive into an above ground pool from any surface.
3. Never install any S.R.Smith diving board on a variable fulcrum dive stand.
4. Don't dive into a pool from anyplace not specifically designated for diving. Never dive into the shallow portion of any pool.
5. Don't dive across the width of the pool or to the sides of the pool.
6. Don't Run and dive.
7. Don't engage in horseplay in or around the diving board or pool.
8. Don't use your diving board as a trampoline.
9. Don't do a back dive. Backyard pools are not built for that type of activity.
10. Don't try fancy dives. Keep the dives simple.
11. Don't dive into or through objects or toys such as inner tubes.
12. Don't swim or dive alone.
13. Don't use a diving board or stand or base that is rusted or worn out or in poor repair.

**THE EDGE DIVING SYSTEM IS A JUMP BOARD**



## IMPORTANT NOTICES TO THE INSTALLER

The specifications found on page 5 of this manual represent the minimum water envelope required by S.R.Smith and by the ANSI/APSP/ICC-5 2011 Standard for residential Inground Swimming Pools. Each of these dimensions must be met or exceeded. Installation of a diving board of any type on a pool that does not meet or exceed each of the minimum specifications as provided on page 5 including but not limited to the slope requirement, is in direct violation of this manufacturer's instructions and the 2011 Standard, and can result in serious injury or death.

Installation of this Edge Fiberglass Stand and Edge Diving Board is limited to Residential Inground Pools ONLY.

### CHECK YOUR LOCAL ELECTRICAL CODE FOR BONDING REQUIREMENTS.

There is only one Edge Fiberglass Stand and only one Edge Composite Spring Set. You can install either a 6' or 8' Edge diving board on this assembly in accordance with Table 1- Minimum Water Envelope ANSI/APSP/ICC-5 2011 and Table 2- S.R.Smith Residential Pool Minimum Specifications on page 5. Installing any diving board greater than 8' on any Edge Stand is strictly prohibited.

### USE ANTI-SEIZE ON ALL HARDWARE.

S.R.Smith Edge Diving Boards are designed for use only with the Edge Diving Stand and Edge Composite Spring Set. Edge components are only compatible with other Edge components.

Comply with local government regulations for Residential Inground Swimming Pools if they exceed the ANSI/APSP/ICC-5 2011 Standard for Residential Inground Swimming Pools.

### DO NOT USE ANY EDGE DIVING COMPONENTS WITH NON-EDGE COMPONENTS!

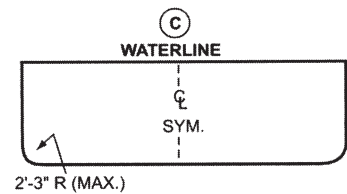
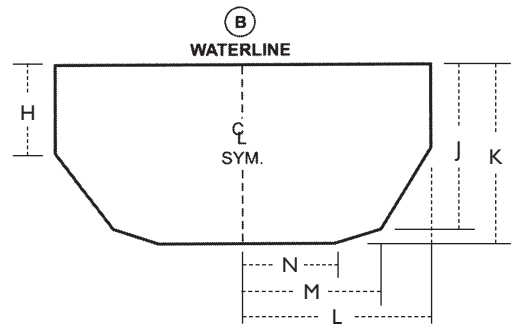
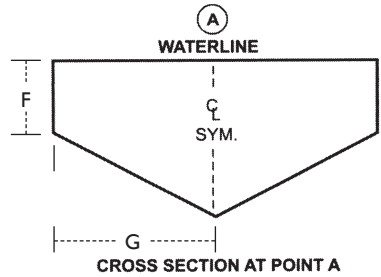
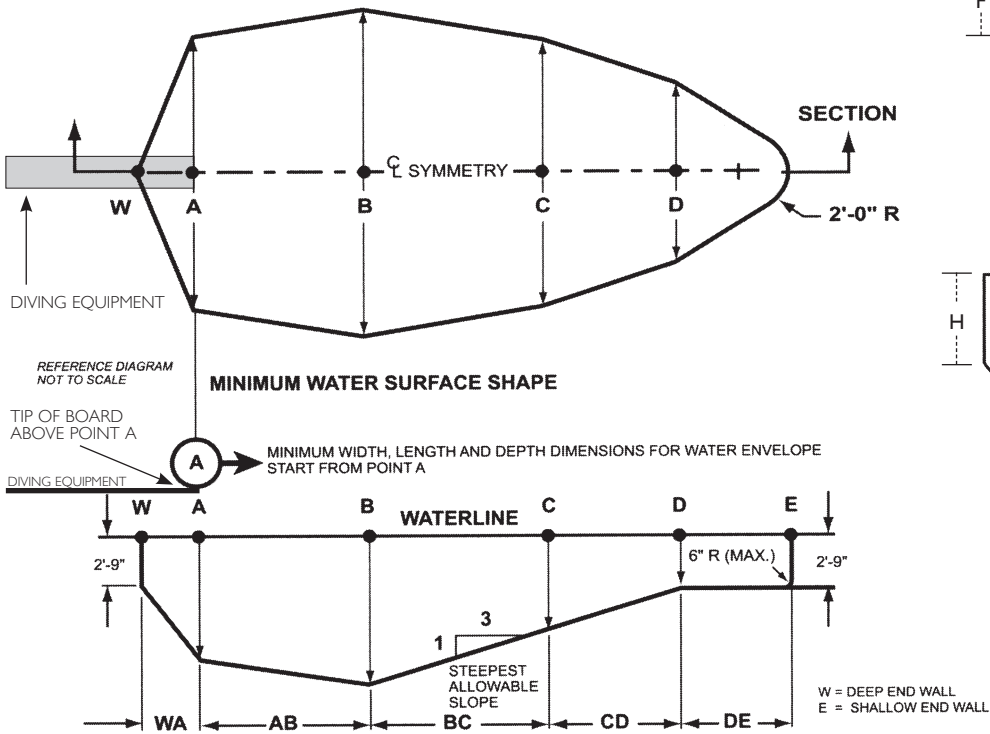
Read carefully pages 12–15 of this installation manual which contain portions of the ANSI/APSP/ICC-5 2011 Standard for Residential Inground Swimming Pools, ensure that you understand the minimum required diving water envelope in Figure 3 and Table 1 provided in the ANSI/APSP/ICC-5 2011 Standard.

NOTE: The installation of this Edge Diving Stand/Edge Diving Board is not complete until you, the installer have measured the pool as well as the diving board's overhang, height above water and the fulcrum distance to ensure they meet the S.R.Smith's Residential Pool Minimum Specifications and the ANSI/APSP/ICC-5 2011 Standard for Residential Inground Swimming Pools. In addition; the installation of this diving board is not complete until you the installer have delivered to your customer and reviewed with your customer the "Owners Manual" as well as the "Plan Your Dive Steer-Up" brochure.

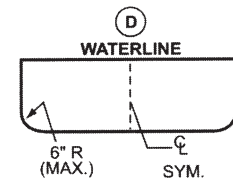
**THE EDGE DIVING SYSTEM IS A JUMP BOARD  
ONLY ONE PERSON AT A TIME ON THE DIVING BOARD,  
WITH A MAXIMUM WEIGHT LIMIT OF 300 LBS.**

MINIMUM DIVING WATER ENVELOPE:

NOTE: DRAWINGS ARE NOT TO SCALE.



CROSS SECTION AT POINT C



CROSS SECTION AT POINT D

TABLE 1 - MINIMUM WATER ENVELOPE (ANSI/APSP/ICC-5 2011)

POOL TYPE	MINIMUM DEPTHS AT POINT				MINIMUM WIDTHS AT POINT				MINIMUM LENGTHS BETWEEN POINTS					
	A	B	C	D	A	B	C	D	WA	AB	BC	CD*	DE	WE
0	<b>DIVING EQUIPMENT PROHIBITED</b>													
I	6'-0"	7'-6"	5'-0"	2'-9"	10'-0"	12'-0"	10'-0"	8'-0"	1'-6"	7'-0"	7'-6"	VARIES	6'-0"	28'-9"
II	6'-0"	7'-6"	5'-0"	2'-9"	12'-0"	15'-0"	12'-0"	8'-0"	1'-6"	7'-0"	7'-6"	VARIES	6'-0"	28'-9"
III	6'-10"	8'-0"	5'-0"	2'-9"	12'-0"	15'-0"	12'-0"	8'-0"	2'-0"	7'-6"	9'-0"	VARIES	6'-0"	31'-3"
IV	7'-8"	8'-6"	5'-0"	2'-9"	15'-0"	18'-0"	15'-0"	9'-0"	2'-6"	8'-0"	10'-6"	VARIES	6'-0"	33'-9"
V	8'-6"	9'-0"	5'-0"	2'-9"	15'-0"	18'-0"	15'-0"	9'-0"	3'-0"	9'-0"	12'-0"	VARIES	6'-0"	36'-9"

TABLE 2 - S.R.SMITH RESIDENTIAL POOL MINIMUM SPECIFICATIONS

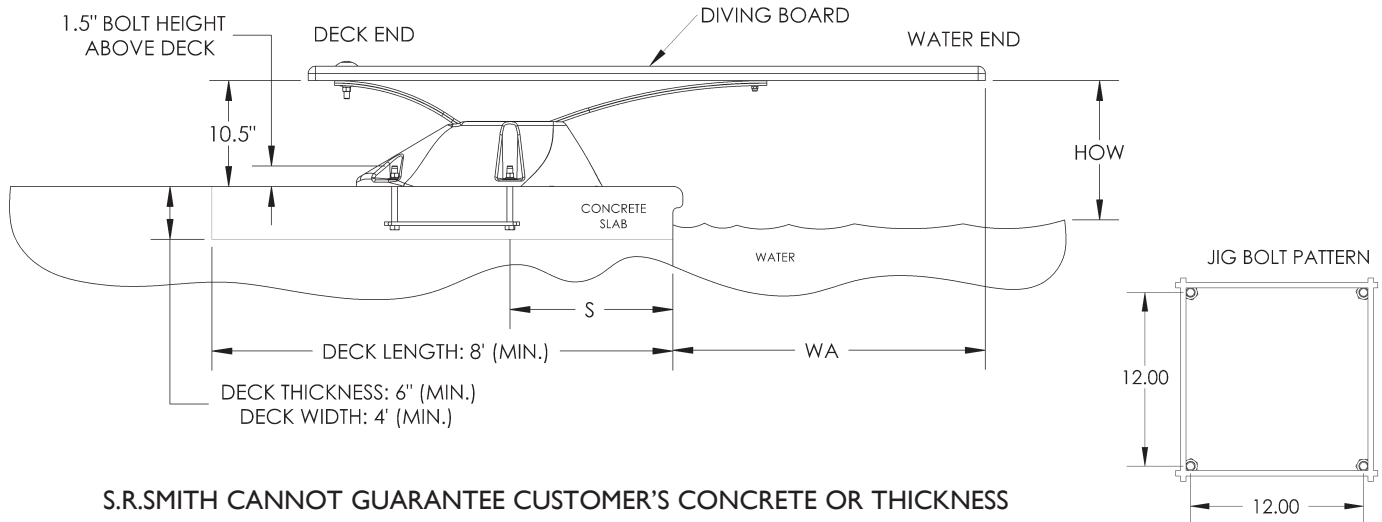
POOL TYPE	MAX. DIVING BOARD LENGTH	MAX. HEIGHT OVER WATER AT POINT A	CROSS SECTIONAL DIMENSIONS AT POINT A		CROSS SECTIONAL DIMENSIONS AT POINT B						MIN. HEAD ROOM ABOVE DIVING SURFACES
	DIVING BOARD LENGTH		HOW**	F	G	H	J	K	L	M	
0	<b>DIVING EQUIPMENT PROHIBITED</b>										
I	6' DB / 6' JB / 7' T7	20"	2'-9"	5'-0"	4'-0"	7'-2.5"	7'-6"	6'-0"	3'-9"	2'-1.5"	12'
II	8' DB / 6' JB / 7' T7	20"	2'-9"	3'-10"	4'-2"	7'-2.5"	7'-6"	6'-8"	3'-9"	2'-1.5"	12'
III	10' DB / 8' JB / 7' T7	26"	2'-9"	4'-4.75"	4'-4.5"	7'-5.5"	8'-0"	6'-7"	3'-11.5"	1'-7.5"	13'
IV	10' DB / 8' JB / 7' T7	30"	2'-9"	5'-10.5"	3'-10"	7'-8"	8'-6"	8'-3"	5'-7"	2'-7"	13'
V	12' DB / 8' JB / 7' T7	40"	2'-9"	6'-2"	3'-11.5"	7'-9.5"	9'-0"	8'-2.5"	5'-9"	2'-7"	14'

\*Min. length between points CD may vary based upon water depth at point D and the slope between points C & D  
 ABBREVIATIONS: DB=Diving Board; JB=Jump Board; \*\*HOW=Height Over Water

# INSTALLATION INSTRUCTIONS

**NOTE: READ THESE INSTRUCTIONS IN THEIR ENTIRETY BEFORE ATTEMPTING THE INSTALLATION.**

**FIG. A – EDGE FIBERGLASS BASE PLACEMENT SPECIFICATIONS:**



**S.R.SMITH CANNOT GUARANTEE CUSTOMER'S CONCRETE OR THICKNESS**

**NOTE:** WHEN COPING IS USED, DO NOT SET FRONT JIG BOLTS CLOSER THAN 3" FROM THE BACK EDGE OF THE COPING.

**TABLE 3 – PLACEMENT CHART**

ADDITIONALLY REFER TO: ANSI/APSP/ICC-5 2011 American National Standard for Residential Inground Swimming Pools and to page 5 for S.R.Smith Residential Inground Pool Minimum Specifications.

<p><b>IMPORTANT:</b></p> <p>THESE DIMENSIONS ARE ACCURATE ONLY FOR VERTICAL POOL WALLS, TYPICALLY GUNITE CONSTRUCTION, WITH LESS THAN A 3' RADIUS TO THE POOL FLOOR.</p> <p>DUE TO THE VARYING SIZES OF OTHER POOLS, TYPICALLY VINYL LINER CONSTRUCTION, PLEASE CONTACT CUSTOMER SERVICE FOR PROPER JIG PLACEMENT.</p> <p>1-800-737-5386</p>	EDGE DIVING SYSTEM PART #	NOMINAL BOARD LENGTH	ANSI/ NSPI-5 POOL TYPE	DISTANCE FROM WATER'S EDGE TO FORWARD JIG BOLT (S)	DISTANCE FROM END OF BOARD TO FORWARD JIG BOLT	MIN. OVERHANG (WA)	MAX HEIGHT OF BOARD ABOVE WATER (HOW)	
	EDGE-BASE	6'	I	31.5"	49.5"	18"	20"	
	EDGE-BASE	6'	II	31.5"	49.5"	18"	20"	
	EDGE-BASE	6'	III	25.5"	49.5"	24"	26"	
	EDGE-BASE	6'	IV	19.5"	49.5"	30"	30"	
	EDGE-BASE	6'	V	13.5"	49.5"	36"	40"	
	EDGE-BASE	8'	I	NOT ALLOWED				
	EDGE-BASE	8'	II	NOT ALLOWED				
	EDGE-BASE	8'	III	44.25"	68.25"	24"	26"	
	EDGE-BASE	8'	IV	38.25"	68.25"	30"	30"	
EDGE-BASE	8'	V	32.25"	68.25"	36"	40"		

\* IMPORTANT: The distance for setting the front jig bolt (S) from the water's edge is valid only if the minimum water depth is maintained at the tip of the board noted as point "A" in ANSI/APSP/ICC-5 2011 American National Standard for Residential Inground Swimming Pools. If minimum water depth is not maintained the distance (S) must be adjusted accordingly.

\*\* "WA" dimension is valid only in conjunction with the minimum depth at point "A" for type pool in accordance with ANSI/APSP/ICC-5 2011 American National Standard for Residential Inground Swimming Pools.



FIG. B – EDGE DIVING BOARD

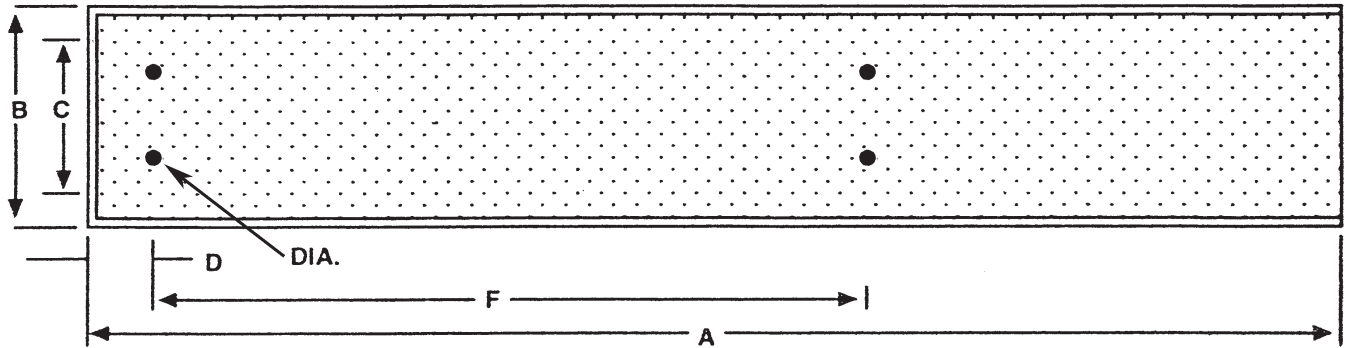


TABLE 4 – BOARD DIMENSIONS AND FULCRUM SETTINGS

Model #	Nominal Length	A	B	C	D	F	DIA.
EDGE 6	6'	70.25"	17.25"	6.31"	4.00"	42.50"	.625"
EDGE 8	8'	94.00"	17.25"	6.31"	9.00"	42.50"	.625"

FIG. C – EDGE JIG

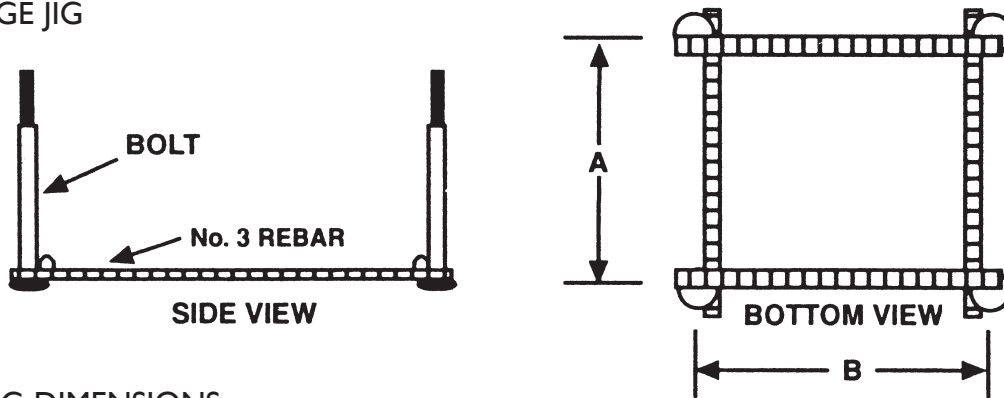


TABLE 5 – JIG DIMENSIONS

Jig Type	A	B	C	BOLT
Edge Fiberglass	12"	12"	6"	1/2" X 6"

**INSTALLATION INSTRUCTIONS:** Edge Diving System WITHOUT Board Fall Unit

Be sure the concrete deck surrounding the anchor jig complies with the minimum dimensions as shown in Figure A on pages 6.

**CHECK YOUR LOCAL ELECTRICAL CODE FOR BONDING REQUIREMENTS.**

Read and understand the ANSI/APSP/ICC-5 2011 American National Standard for Residential Inground swimming Pools and Table 1 and Table 2 on page 5 before you install Edge Fiberglass Stand and/or Edge Diving Board.

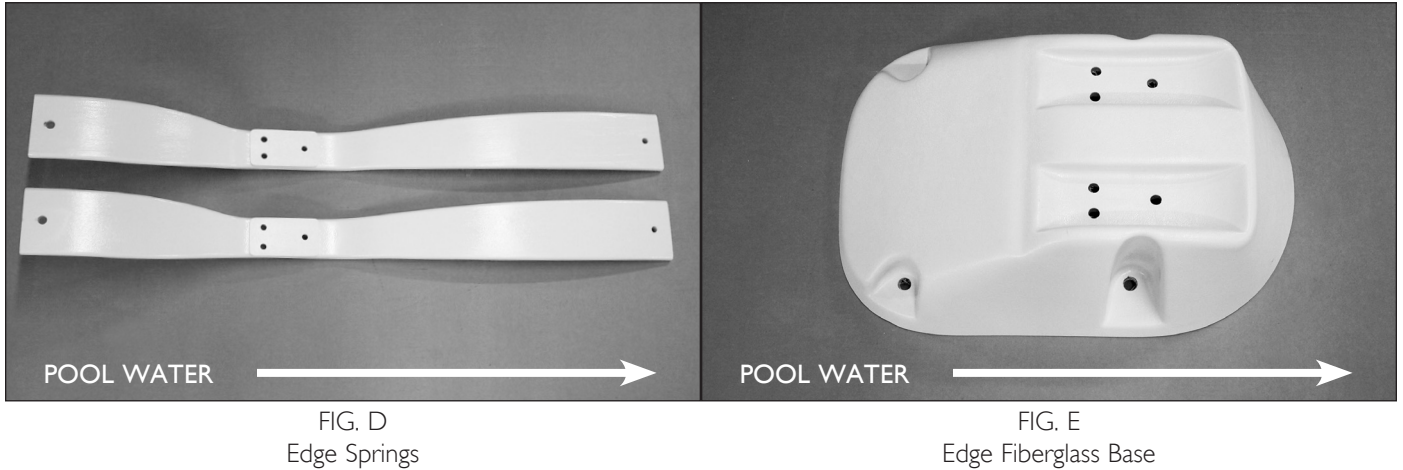
The Edge four-bolt jig should be set in accordance with Table 3 on page 6. The diving board must be placed on the deep end of the pool on centerline.

The tip of the diving board must be positioned directly over Pt. A as shown on page 5 and according to the ANSI/APSP/ICC-5 2011 Standard and S.R.Smith's Residential Pool Minimum Specifications.

Make sure the jig anchor bolts project out of the concrete deck 1-1/2" for the Edge Stand with ample concrete depth below the jig in accordance with Figure A on page 6. Do not install the Edge Diving System if the deck does not meet the minimum requirements.

When finishing the deck surface, maintain a level deck where the jig bolts project out so the dive stand makes uniform contact with the deck surface. Allow the cement to fully cure before bolting the dive stand to the jig bolts.

Before bolting the dive stand to the jig bolts, chisel away any excess concrete that may have built up around the jig bolts then remove the protective yellow rubber bolt caps.



**HARDWARE NOTE:** Use a small dab of anti seize lubricant (included) on all bolt threads.

STEP ONE:

Lay the Edge board upside down on the box it was shipped in. Attach the Edge Springs to the board with hardware kit EDGE-M. The long leg of the spring faces towards the pool as shown in Figure D. Use exploded view on page 9 for reference. Hand tighten only at this point.

STEP TWO:

Lay the base upside down on the springs and align the 3 holes in each spring center to the base. Orient Edge Base to pool as shown in Figure E. Use hardware kit EDGE-SP and bolt springs to base. Use exploded view on page 9 for reference. Tighten the 6 bolts from base to springs at this time to 25-30 FT-LBS.

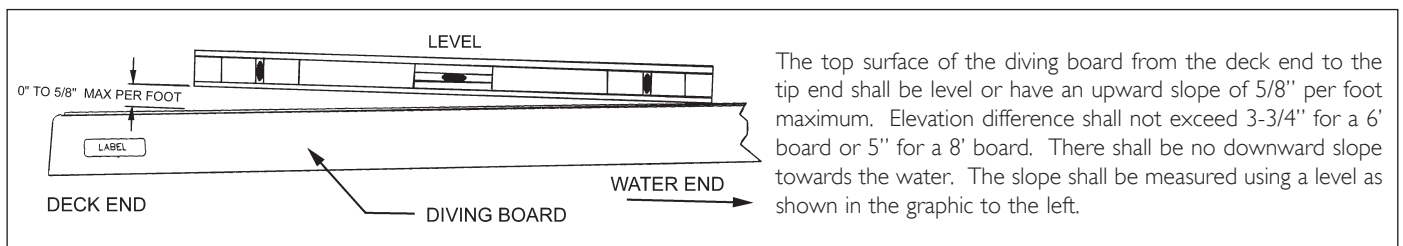
STEP THREE:

Turn the assembly over and tighten the board to spring hardware that was only hand tightened in step one. Tighten to 20-25 FT-LBS.

STEP FOUR:

Place the Edge stand over the four jig bolts and secure with hardware kit TS-BK. Tighten the Stand Anchor Hex Nuts to 40-45 FT- LBS. Do not over tighten.

The Diving Board must be installed according the below board leveling instructions:



**ONLY ONE PERSON ON THE JUMP BOARD AT A TIME, WITH A MAXIMUM WEIGHT OF 300 LBS.**



**INSTALLATION INSTRUCTIONS: Edge Diving System WITH Board Fall Unit**

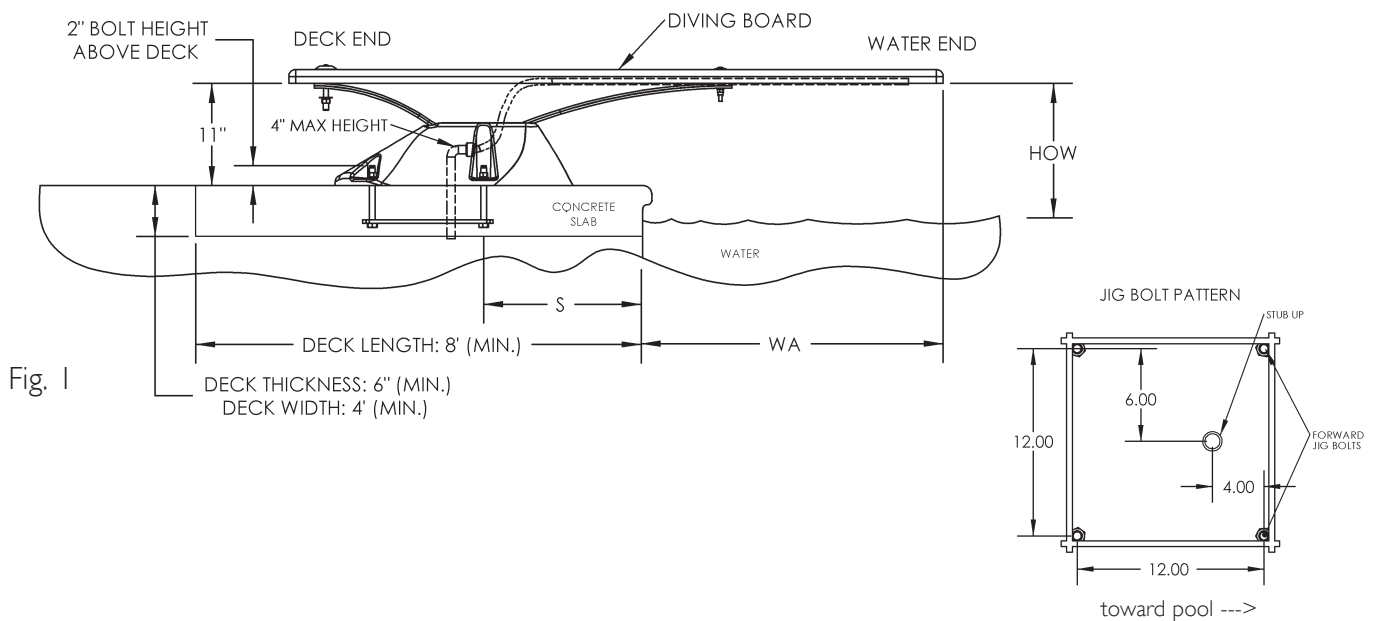
You MUST refer to the Edge Diving System installation manual for proper jig placement locations, minimum diving envelope requirements and installation information.

Refer to these instructions only when using a 6 or 8 foot Edge aquaBoard together with a Board Fall water feature.

**I. WATER STUB-UP DETAILS:**

If installing a BOARD FALL, ensure that a 1/2" (minimum) water stub-up conduit is located within the area designated. (Fig. 1) Provide a minimum of 10 gallons per minute water flow for the BOARD FALL water feature. NOTE: Maximum water supply is 1-1/2" PVC.

To ensure plumbing conduit will not hit the inside of the base, the stub-up must not exceed 4" in height.



**2. BOARD FALL DETAILS:**

The BOARD FALL water feature will work with a 6 or 8 foot Edge aquaBoard™. NOTE: Minimum 10 GPM water supply recommended. Please see detailed installation instructions for dive stand installation information and requirements.

**BOARD FALL CONFIGURATION:**

BOARD FALL: kit includes Board Fall, Mounting Hardware (4 screws), 8' & 4" of 1/2" Flex PVC Pipe, 1-Union

**STEP ONE: INSTALL BOARD FALL WATER FEATURE ON EDGE aquaBoard™ :**

If purchased, attach the optional waterfall assembly to the underside of the Edge aquaBoard™ as follows:

**IMPORTANT:** To keep the BOARD FALL from clogging when installing on a Sand Filter System, an in-line cartridge filter is recommended on the BOARD FALL water supply line.

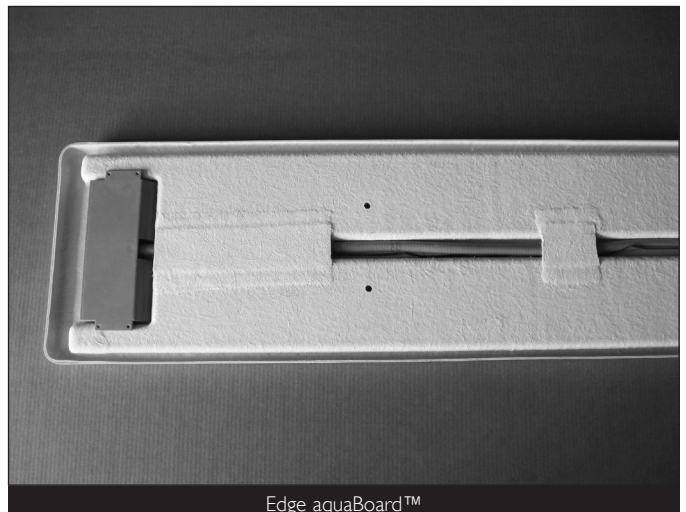
- A) The BOARD FALL comes from the factory with an 8' length of 1/2" flex PVC pipe attached. The 8' length goes thru the board and attaches with PVC glue to one side of the 1/2" union. The 4" length of flex PVC pipe attaches with PVC glue to the stub-up and then to the other side of the 1/2" union.
- B) Once the water tubing is threaded all the way through the diving board, from the base side, gently pull the end of the tubing until the waterfall assembly is pulled gently into the BOARD FALL receiver on the top of the diving board.
- C) Mark the hole locations for attaching the BOARD FALL unit to the board.

For an Edge aquaBoard™: Locate the BOARD FALL unit all the way to the back of the BOARD FALL receiver. (Fig. 2) Make sure the hose is threaded through the channel as shown. (Fig. 3) Using a 1/8" drill bit, drill the 4 holes 1/2" deep. Use tape to mark the drill bit depth. **IMPORTANT:** Do not drill the holes deeper than 1/2" as there is a risk of drilling all the way through the board.



Edge aquaBoard™

Fig. 2



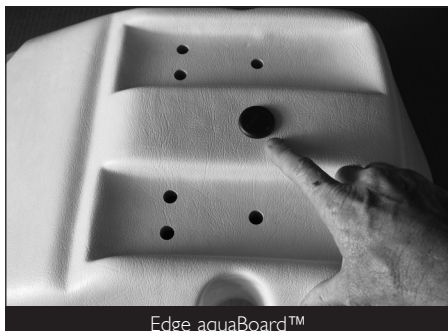
Edge aquaBoard™

Fig. 3

- D) Attach the waterfall unit to the Diving Board by inserting the 4 provided screws thru the holes in the waterfall assembly; hand tighten only (DO NOT USE SCREW GUN), over tightening the screws will cause them to strip inside the board or break the waterfall housing, and voids the warranty.

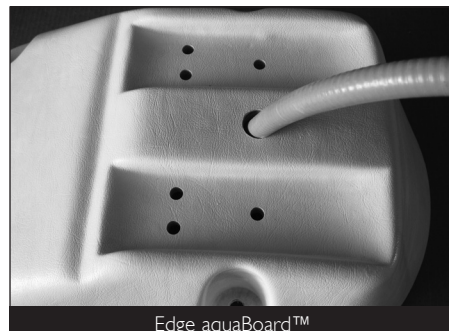
**3. BASE PLUMBING DETAILS:**

Remove the black cap on the top of the base. (Fig. 4) Pass the hose through the base. (Fig. 5) Coil up any excess hose under the base. (Fig. 6)



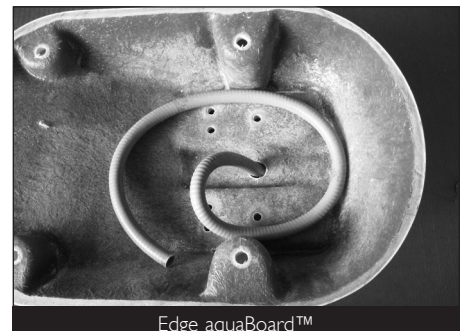
Edge aquaBoard™

Fig. 4



Edge aquaBoard™

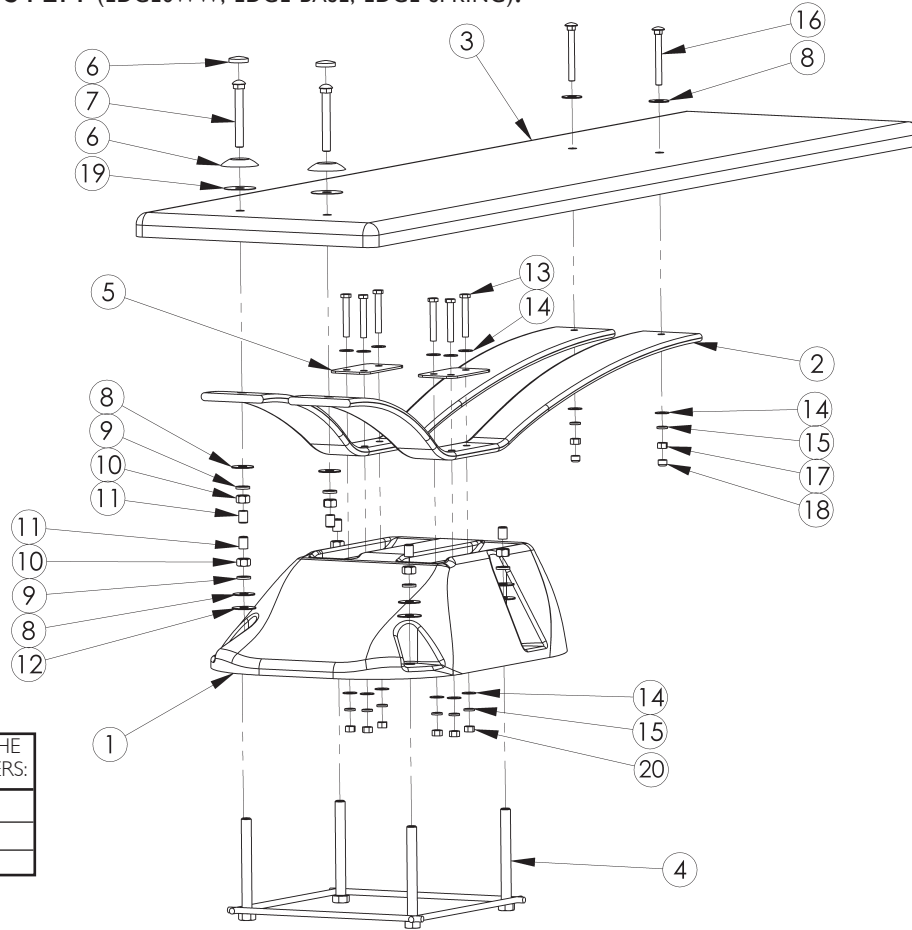
Fig. 5



Edge aquaBoard™

Fig. 6

EDGE DIVING SYSTEM (EDGE6WW, EDGE-BASE, EDGE-SPRING):



DRAWING REPRESENTS THE FOLLOWING PART NUMBERS:

EDGE-BASE (shown)
EDGE-SPRING (shown)
EDGE6WW (shown)

ITEM #	COMPONENT	DESCRIPTION	KITS – QTY. COUNTS			
			TS-BK	EDGE-SP	EDGE-M	EDGE
1	EDGE-BASE	Edge Diving Base				1
2	EDGE-SPRING	Edge Spring				2
3	EDGE-BOARD	Edge Diving Board				1
4	TS-EDGE-J	Edge Jig				1
5	Spring Pad (factory installed)	Edge Spring Pad				2
6	H-WHT WAS/CAP	IFI White Washer Cap			2	
7	H-SS 1/2X13X4C	1/2" X 13 X 4" Carriage Bolt S.S.			2	
8	H-SS 1/2 F WASH	1/2" Flat Washer S.S.	4		4	
9	H-SS 1/2 LOC WA	1/2" Lock Washer S.S.	4		2	
10	H-SS 1/2 H NUT	1/2" Hex Nut S.S.	4		2	
11	H-1-1/2 WHT CAP	.750 x 1-1/2" White UV Nut Cap	4		2	
12	H-1/2 NYLON WAS	1/2" Flat Nylon Washer	4			
13	H-SS 3/8-16X2-1/2	3/8" x 2 1/2" Hex Head Bolt S.S.		6		
14	H-SS 3/8 FLT WA	3/8" Flat Washer S.S.		12	2	
15	H-SS 3/8 LOC WA	3/8" Lock Washer S.S.		6	2	
16	H-SS 3/8X3-1/2C	3/8" x 3 1/2" Carriage Bolt S.S.			2	
17	H-SS 3/8 F NUT	3/8" Finish Hex Nut S.S.			2	
18	H-.531 X 1.00 CAP	.531 x 1.00 White Protective Cap			2	
19	H-1/2 BLK WASH	1/2" x 2" dia. Black Rubber Washer			2	
20	H-SS 3/8 NYLON	3/8" Nylon Insert Locknut		6		
21*	H-ANTI-SEIZE	Packet of Anti Seize Lubricant (not shown)				1

**TS-BK:**  
Base to Jig Mounting Hardware

**EDGE-SP:**  
Spring to Base Mounting Hardware

**EDGE-M:**  
Board to Springs Mounting Hardware

CHECK YOUR LOCAL ELECTRICAL CODE FOR BONDING REQUIREMENTS.

\* not pictured

NOTE: EDGE6WW diving board shown in exploded view for illustration purposes. Must be purchased separately.

**SUPPORT INFORMATION: ARTICLE 5 – POOL DIMENSIONS AND TOLERANCES**

Extracted from ANSI/APSP/ICC-5 2011, American National Standard for Residential Inground Swimming Pools

**5 Pool dimensions and tolerances**

**5.1 General requirements.** Design dimensions shall comply with specifications in this standard. The pool shall be constructed to these design dimensions within the tolerances listed in 5.1.1.

**5.1.1 Construction tolerances.** There shall be construction tolerances allowed on dimensional designs. The overall length, width and depth shall be limited to a tolerance of plus or minus 3 inches ( $\pm 7.6$  cm). All other dimensions shall be limited to a tolerance of plus or minus 2 inches ( $\pm 5.1$  cm), unless otherwise specified.

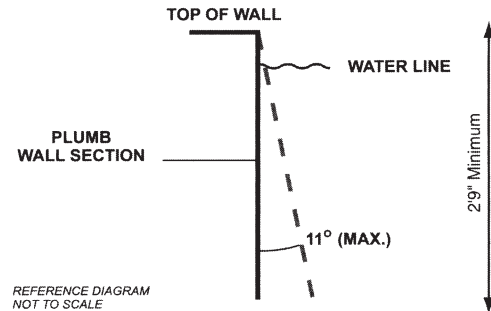
**5.2 Perimeter shape.** No limits are specified for shape of pools except that consideration shall be given to shape from the standpoint of circulation of the swimming pool water and safety to the user.

**5.3 Walls - requirements**

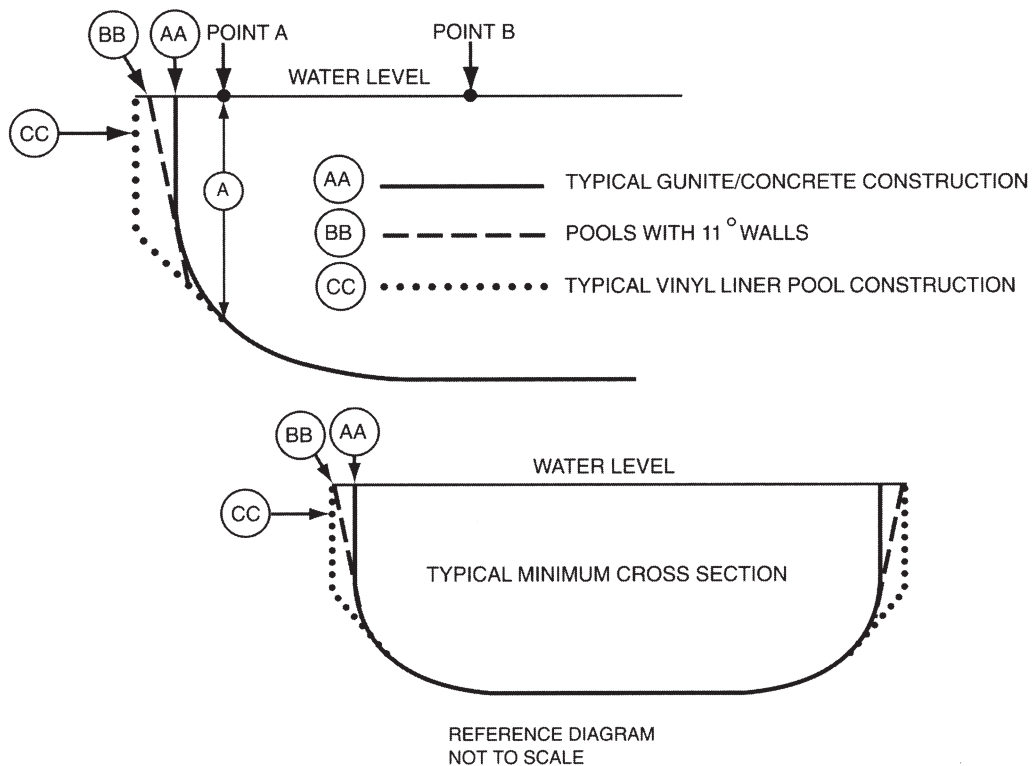
**5.3.1** Walls in the shallow area and deep area of the pool shall not slope greater than  $11^\circ$  (1:5 slope

ratio) to a transition point. The transition point shall not be less than 2 feet and 9 inches (83.8 cm) below the waterline. See figure 1.

**5.3.2** As shown in figure 2, at the depths of (a) and (b), the walls are permitted to join the floor.



**Figure 1 – Maximum allowable wall slope**



**Figure 2 – Typical pool design configurations**

**SUPPORT INFORMATION:** ARTICLE 5 – POOL DIMENSIONS AND TOLERANCES  
 Extracted from ANSI/APSP/ICC-5 2011, American National Standard for Residential Inground Swimming Pools

Figure 3 Minimum diving water envelope

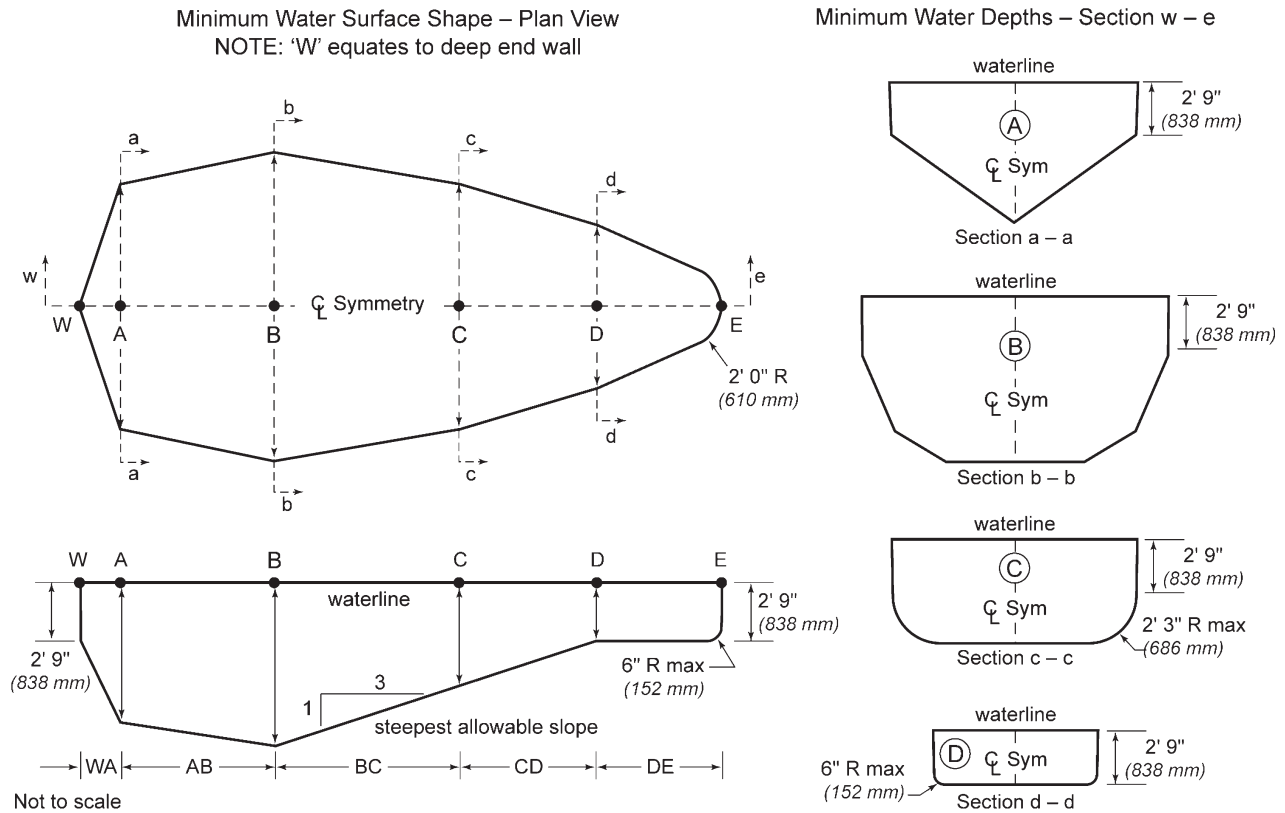


Table 1. Minimum diving water envelope for swimming pools designated types I-V

Pool Types	Minimum Depths at Point				Minimum Widths at Point				Minimum Lengths between Points					
	A	B	C	D	A	B	C	D	WA	AB	BC	CD	DE	WE
0	Manufactured diving equipment is prohibited													
1	6' 0" (1.82 m)	7' 6" (2.29 m)	5' 0" (1.52 m)	2' 9" (838 mm)	10' 0" (3.05 m)	12' 0" (3.66 m)	10' 0" (3.05 m)	8' 0" (2.44 m)	1' 6" (457 mm)	7' 0" (2.13 m)	7' 6" (2.29 m)	Varies	6' 0" (1.82 m)	28' 9" (8.76 m)
2	6' 0" (1.82 m)	7' 6" (2.29 m)	5' 0" (1.52 m)	2' 9" (838 mm)	12' 0" (3.66 m)	15' 0" (4.57 m)	12' 0" (3.66 m)	8' 0" (2.44 m)	1' 6" (457 mm)	7' 0" (2.13 m)	7' 6" (2.29 m)	Varies	6' 0" (1.82 m)	28' 9" (8.76 m)
3	6' 10" (2.08 m)	8' 0" (2.44 m)	5' 0" (1.52 m)	2' 9" (838 mm)	12' 0" (3.66 m)	15' 0" (4.57 m)	12' 0" (3.66 m)	8' 0" (2.44 m)	2' 0" (610 mm)	7' 6" (2.29 m)	9' 0" (2.74 m)	Varies	6' 0" (1.82 m)	31' 3" (9.53 m)
4	7' 8" (2.34 m)	8' 6" (2.59 m)	5' 0" (1.52 m)	2' 9" (838 mm)	15' 0" (4.57 m)	18' 0" (5.49 m)	15' 0" (4.57 m)	9' 0" (2.74 m)	2' 6" (762 mm)	8' 0" (2.44 m)	10' 6" (3.20 m)	Varies	6' 0" (1.82 m)	33' 9" (10.3 m)
5	8' 6" (2.59 m)	9' 0" (2.74 m)	5' 0" (1.52 m)	2' 9" (838 mm)	15' 0" (4.57 m)	18' 0" (5.49 m)	15' 0" (4.57 m)	9' 0" (2.74 m)	3' 0" (914 mm)	9' 0" (2.74 m)	12' 0" (3.66 m)	Varies	6' 0" (1.82 m)	36' 9" (11.2 m)

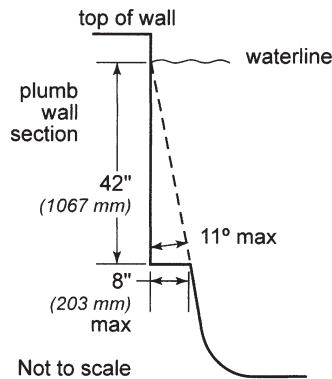
NOTES

- Minimum length between points CD may vary based upon water depth at point D and the slope between points C and D.
- Drawings are not to scale.
- Negative construction tolerances (see para. 5.1.1) shall not be applied to any of the dimensions shown in the Minimum Water Envelopes given in Table 1.
- Pool types designate minimum water envelope sizes as specified by the diving board manufacturers.

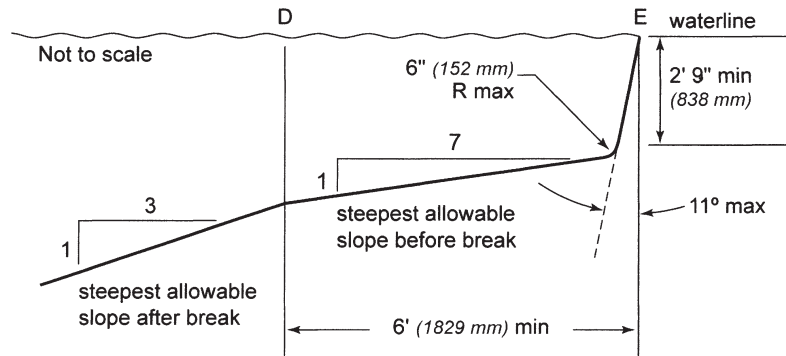
**SUPPORT INFORMATION:** ARTICLE 5 – POOL DIMENSIONS AND TOLERANCES

Extracted from ANSI/APSP/ICC-5 2011, American National Standard for Residential Inground Swimming Pools

**Figure 4 Offset ledges**



**Figure 5 Shallow end depths**



**5.4 Offset Ledges**

**5.4.1** Offset ledges shall be a maximum of 8 in. (203 mm) wide.

**5.4.1.1** Offset ledges located less than 42 in. (1.07 m) below waterline shall be proportionately less than 8 in. (203 mm) wide and fall within 11° from plumb, measured from the top of the waterline (see Figure 4).

**5.5 Floor slopes.** Floor slopes shall be reasonably uniform and comply with paras. 5.5.1 through 5.5.3.

**5.5.1** The slope of the floor from the shallow end wall towards the deep area shall not exceed a 1:7 incline to the point of the first slope change, if any (D–E) as shown in Figure 5.

**5.5.2** Changes in slope between shallow and deep areas shall be at a minimum water depth of 2 ft 9 in. (838 mm) and be at least 6 ft (1.83 m) from the shallow end, except as specified in para. 6.3.

**5.5.3** The slope of the floor shall not exceed a 1:3 incline under the lengths (B–D) of the Diving Envelope (see Figure 5).

**5.6 Shallow end water depths.** Water depth in the shallow area shall be a minimum of 2 ft 9 in. (838 mm), except for those locations specified in para. 6.3 “Shallow End Detail for Beach and Sloping Entries.”

**5.7 Manufactured diving equipment for in-ground swimming pools (diving board/stand combination, manufactured platform, or field fabricated)**

**5.7.1** When manufactured or field fabricated diving equipment is installed, it shall conform to the specifications set forth in paras. 5.7–5.9. It shall be located in the deep area of the pool to provide the minimum dimensions as shown in para. 5.8, and shall be installed in accordance with manufacturer’s instructions.

**5.7.1.1** Manufactured or field fabricated diving equipment shall be located directly above Point A. Diving equipment shall not be installed on Type O pools (see Table 1).

**5.7.1.2** Maximum elevation of a diving board above the water shall be in accordance with manufacturer’s installation instructions. Raised decking may be installed around the diving board up to level with the top of the board.

**5.7.2** Manufactured diving equipment installation and use instructions shall be provided by the diving equipment manufacturer and shall specify the minimum water dimensions required for each diving board and diving stand combination. They shall refer to the diving envelope type of their choice by dimensionally relating their products to Point A on the diving envelopes as shown in Figure 3, Table 1, and paras. 5.8.1–5.8.3.

**5.7.2.2** Diving equipment shall be permanently labeled and affixed to the diving equipment or jump boards and include, but not be limited to the following:  
 manufacturer’s diving equipment name and address  
 date of manufacture  
 minimum diving envelope  
 maximum weight limitations.

**5.7.2.3** Diving equipment shall have slip-resisting tread surfaces.

**5.8** Figure 3 diagrams show dimension points referred to in Table 1.

**5.8.1 Point A:** Point A is the point from which all other forward dimensions of width, length, and depth are then established for the Minimum Diving Water Envelope. If the tip of the diving board or diving platform overhang is located at a distance of WA or greater from the deep end wall and the water depth at that location is equal to or greater than the water depth requirement at Point A (see Table 1), then the point on the water surface directly below the center of the tip of the diving board or diving platform shall be identified as Point A.



**SUPPORT INFORMATION: ARTICLE 5 – POOL DIMENSIONS AND TOLERANCES**

Extracted from ANSI/APSP/ICC-5 2011, American National Standard for Residential Inground Swimming Pools

**5.8.1.2 Location of Point A:** The minimum Diving Water Envelope dimensions for pools with manufactured diving equipment shall be taken from Point A as shown in Figure 3. Point A shall be defined as the point on the water surface where the water depth is required at Point A and is provided at a distance of WA as shown in Table 1 from the deep end wall. The center of the tip of the diving board, platforms, manufactured or field fabricated shall be located directly above Point A.

**5.8.1.3 Point A** as shown in Figure 3 and Table 1 shall be the reference point of origin for all dimensions defining the minimum diving envelope.

**5.8.2** Type O pools (where diving is prohibited) shall not be limited in width, length, or water depth except as specifically provided for in this standard.

**5.8.3 Location of equipment and pool features in the minimum diving envelope.** If the pool is designed for use with diving equipment, all steps, pool stairs, ladders, underwater benches, offset ledges special features and other accessory items or any parts thereof, these features shall be located outside the Minimum Diving Envelope (see Figure 6).

**5.9 Stationary diving platform(s) and diving rock(s).** Stationary diving platform(s) and diving rock(s) built on site field fabricated shall be allowed to be flush with the wall and located in the diving area of the pool. Point A shall be in front of the wall at the platform or diving rock centerline. **Diving rocks or platforms are prohibited on Pool Type O.**

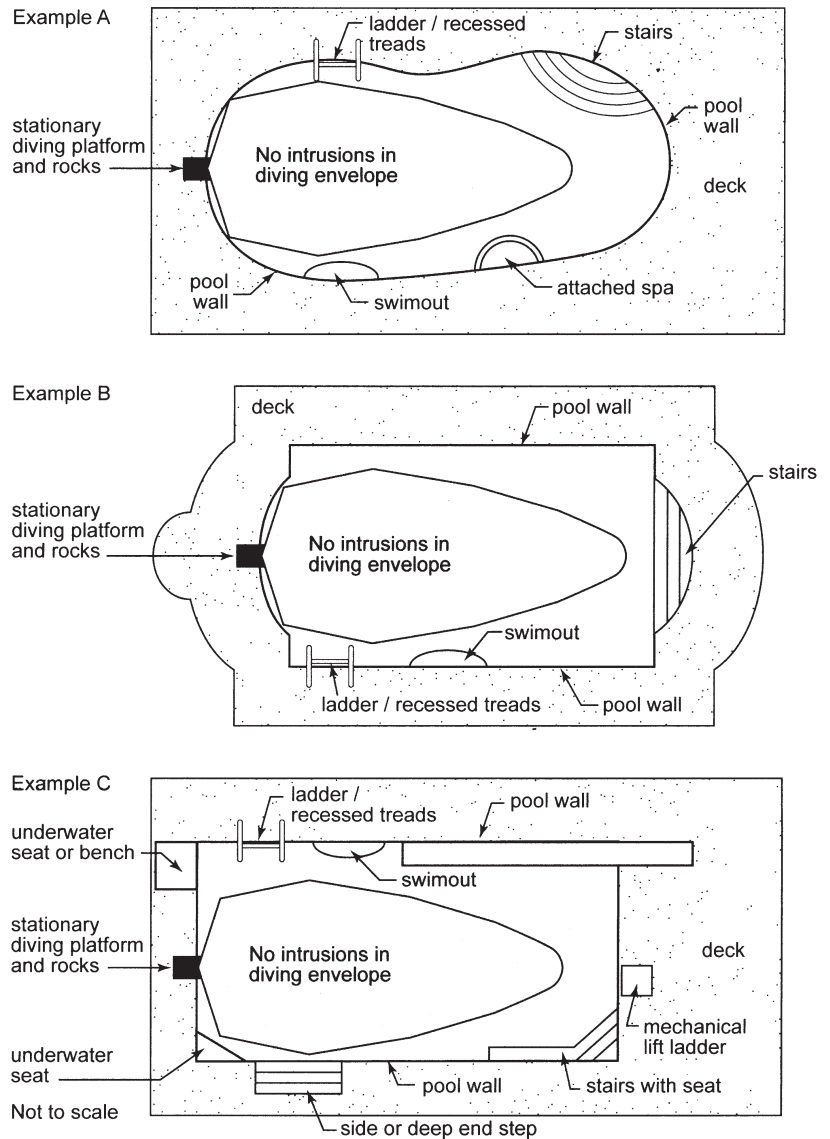
**5.10 Stationary diving platform(s) and diving rock(s)**

**5.10.1** Stationary diving platform(s) and diving rock(s) shall not be permitted on Pool Type O.

**5.10.2** The maximum height of the stationary diving platform or diving rock above the waterline shall be as follows:

Pool Type I	42 in. (1.07 m)
Pool Type II	42 in. (1.07 m)
Pool Type III	50 in. (1.27 m)
Pool Type IV	60 in. (1.52 m)
Pool Type V	69 in. (1.75 m).

**Figure 6 Top view examples of accessory equipment and pool features prohibited in the minimum diving envelope**



**5.10.3** The diving equipment manufacturer shall specify minimum headroom above water.

**5.11 Swimming pool slides**

**5.11.1** Slides, where installed, shall be installed in accordance with the manufacturer's specifications and comply with the U.S. Consumer Product Safety Commission (CPSC) *Standard for Swimming Pool Slides* as published in the *Code of Federal Regulations, 16 CFR Ch. II, Part 1207*.

**5.11.2** Slides constructed on-site are not covered by this standard.





