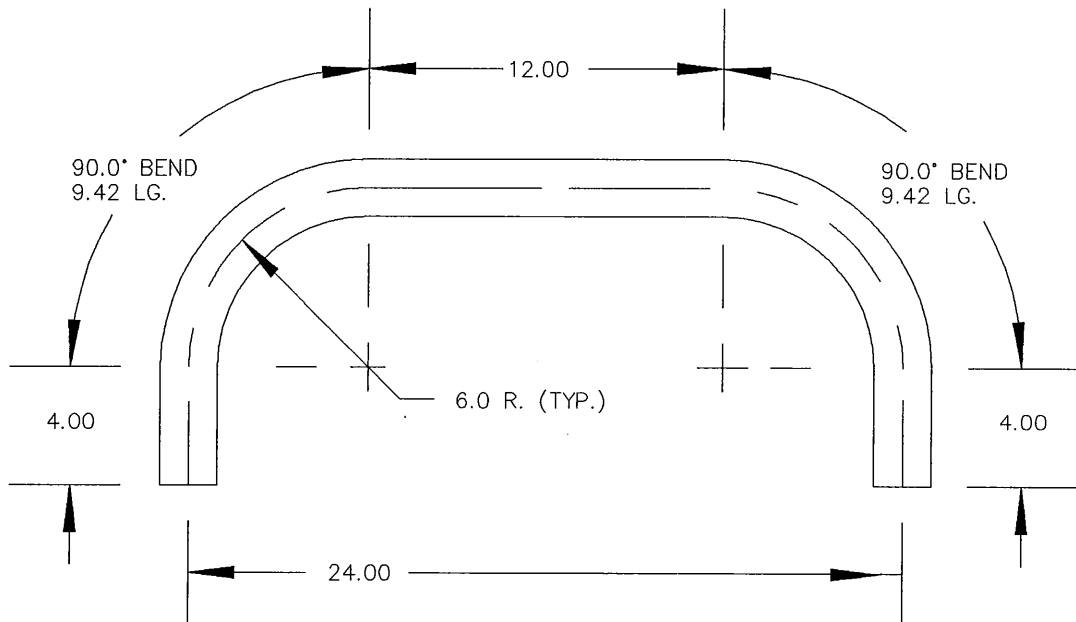


# S.R. Smith Inc.™



P.O. BOX 400 1017 S.W. BERG PARKWAY  
CANBY, OREGON 97013  
PHONE: (503) 266-2231

APPROVALS		DATE	UNLESS OTHERWISE SPECIFIED DIMENSIONS ARE IN INCHES, TOLERANCES ARE: DECIMALS:      FRACTIONS: .X ± 0.3      ± 1/4 .XX ± 0.25      ANGLES: .XXX ±      ± 1/2°
PURCHASING:	Mark Kroeplin		
ENGINEERING:	William Clausen	29FEB96	
PRODUCTION:	Bernie Imhott		
DRAFTING:	Kevin Ball		SCALE: 1.00" = 1.00"
<b>PROPRIETARY NOTE:</b> Designs and/or information shown on this drawing are proprietary. The recipient agrees not to reproduce or copy in whole or part nor to make any use of it that is or may be injurious to S. R. Smith Inc.			<b>DO NOT SCALE DRAWING</b>
REV. DATE:		<b>BREAK &amp; DEBURR ALL SHARP EDGES</b>	
		BORDER MAGNIFICATION X 6.0	



TOTAL LENGTH OF RAIL: 38.84"  
MATERIAL: 1.90" O.D. X 0.049 WALL  
304 S/S TUBE W/ MIRROR FINISH

DESCRIPTION: EB-099B 2' EXERCISE BAR NO/FLANGES	DRAWING NUMBER			DWG. #PBR UPDATED 8NOV95
	SPIN	FILE NO.	REV.	SHEET
	EB-099B	1022	A	1 OF 1