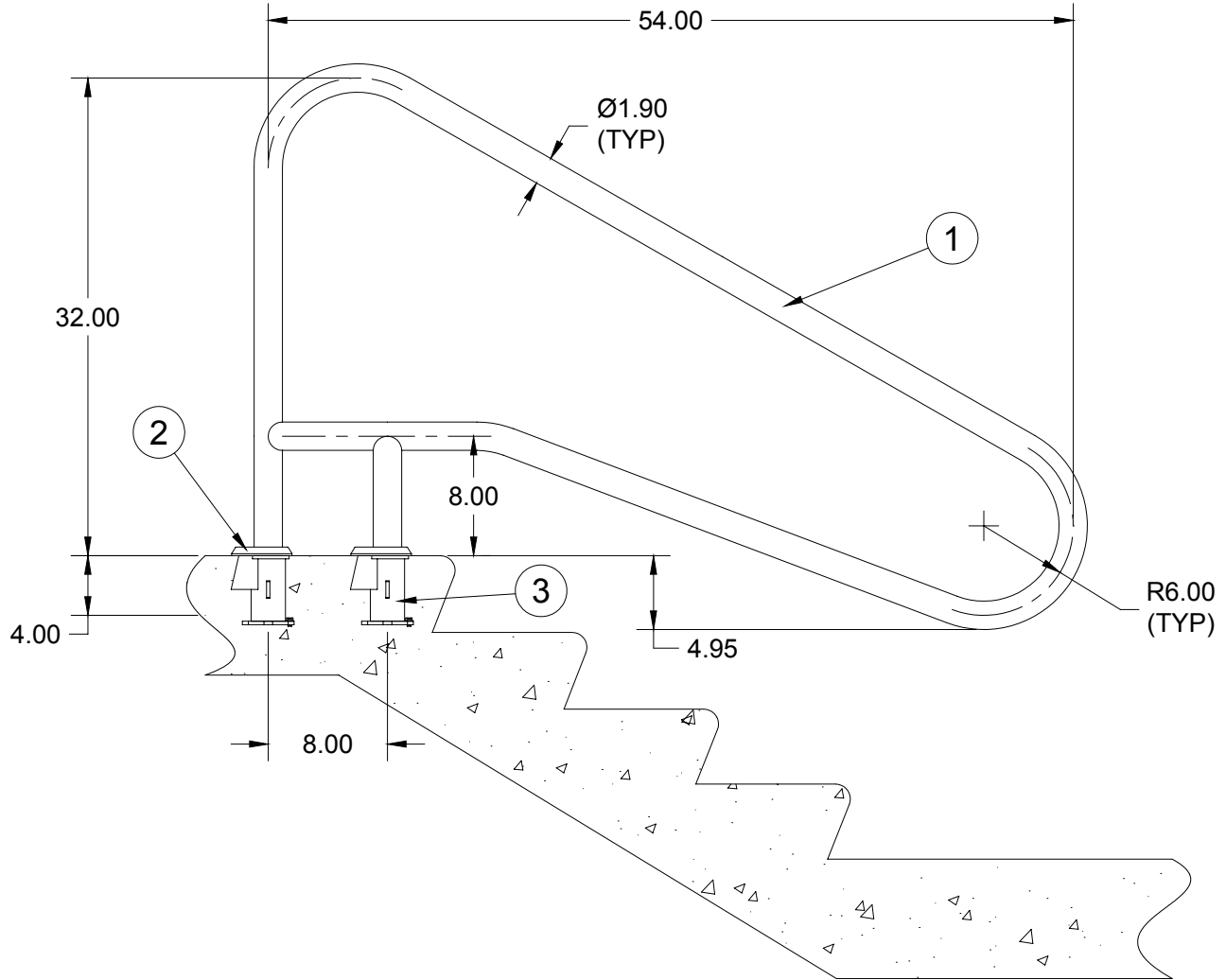


54-Inch Angled Deck Mounted Commercial Stair Rail



SIDE VIEW

Specification Number:	SRS-605	
Product Description:	54-Inch Angled Deck Mounted Commercial Stair Rail	
S.R. Smith Part Number:	DMS-102B, DMS-102B-MG	Scale: NTS
Revision:	A	Date: 05/30/03
Written By:	T. Weil	Date: 05/30/03
Approved By:	B. Bisceglia	Date: 06/02/03
Page 1 of 2	Proprietary and confidential: The information contained in this specification is the sole property of S.R. Smith LLC. Any reproduction in part or whole without the written consent of S.R. Smith LLC is prohibited.	

S.R. Smith, LLC
P.O. Box 400, 1017 SW Berg Parkway
Canby, Oregon 97013
Tel: (888) 677-7776 (503) 266-2231
Fax: (503) 266-4334
www.srsmith.com



S.R. Smith LLC Commercial Division
Product Specifications - Written

Product Name: 54-Inch Angled Deck Mounted Commercial Stair Rail

Part Number: DMS-102B, DMS-102B-MG

General Notes:

The **54-Inch Angled Deck Mounted Commercial Stair Rail** is a moderate height and length rail made of polished type 304 stainless steel. The bottom extension of the rail is designed to run generally parallel with an angle typical of pool and spa steps.

Application:

With proper anchoring, the Deck Mounted Commercial Stair Rail is suitable for use on stairs and slopes on poured concrete, shotcrete, fiberglass, and vinyl commercial pools and spas as well as for other applications in most geographic areas.

Specifications:

- 1 **Handrails:** The handrail is made of 1.90" O.D. x .065 (48.3mm x 1.65) type 304 polished stainless steel and all bends are a nominal 6" (152.4mm) radius. The bottom extension is welded to the legs for reinforcement.
- 2 **Escutcheon (Optional)** (p/n IEP-100): This recommended oblong escutcheon plate is 4" (101.6mm) in length and is made of chrome plated cast brass. The escutcheon includes a tamper resistant, stainless steel set screw. Alternative escutcheons include p/n EP-100A or EP-100F.
- 3 **Anchor Assembly (Optional)** (p/n IAS-100, see spec sheet for SRS-913): These recommended anchor sockets are bronze castings. They are intended for heavy-duty commercial use and secure fixtures by means of a wedge assembly. The anchor comes with a brass 1/4-20 UNC grounding screw for bonding. Alternative anchor assemblies include p/n AS-100B (see spec sheet for SRS-908).

Additional Product Numbers and Shipping Weight:

Model Number	Description	Shipping Weight
DMS-102B	54-Inch Angled Deck Mounted Stair Rail	19 lbs. (8.62kg)
DMS-102B-MG	54-Inch Marine Grade 316 Stainless Steel Angled Deck Mounted Stair Rail	19 lbs. (8.62kg)

Specification Number:	SRS-605	
Product Description:	54-Inch Angled Deck Mounted Commercial Stair Rail	
S.R. Smith Part Number:	DMS-102B, DMS-102B-MG	
Revision:	A	Date: 05/30/03
Written By:	T. Weil	Date: 05/30/03
Approved By:	B. Bisceglia	Date: 06/02/03
Page 2 of 2	Proprietary and confidential: The information contained in this specification is the sole property of S.R. Smith LLC. Any reproduction in part or whole without the written consent of S.R. Smith LLC is prohibited.	

S.R. Smith, LLC
P.O. Box 400, 1017 SW Berg Parkway
Canby, Oregon 97013
Tel: (888) 677-7776 (503) 266-2231
Fax: (503) 266-4334
www.srsmith.com