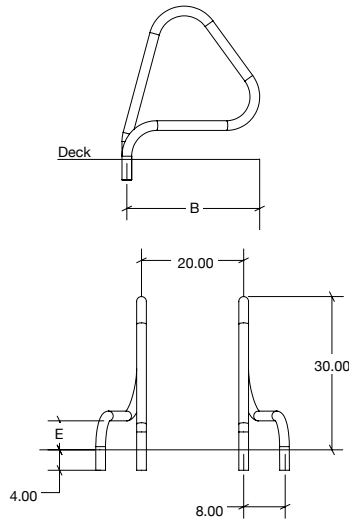


California Pacific Pretzel



- Tubing: 1.50" or 1.90" OD
- Wall Thickness: .109", .120" or .145"
- Stainless Steel: 304
- Options: Powder-coating and SealedSteel Salt Friendly (rails only)
- Recommended anchors: AS-200B for 1.50" and AS-100B for 1.90" (order separately)
- Recommended escutcheons: EP-150 for 1.50" and EP-100F for 1.90" (order separately)
- Sold as pairs



Model No.	Description	B	E	Shipping			
				Weight	Length	Width	Height
10175	.109" wall, 1.90" OD	26"	10.63"	34 lbs 15kg	30" 76cm	34" 86cm	22" 56cm
10176	.145" wall, 1.90" OD	26"	10.63"	46 lbs 21kg	30" 76cm	34" 86cm	22" 56cm
10177	.109" wall, 1.90" OD	30"	10.63"	38 lbs 17kg	30" 76cm	36" 91cm	22" 56cm
10178	.145" wall, 1.90" OD	30"	10.63"	48 lbs 22kg	30" 76cm	36" 91cm	22" 56cm
12057	.120" wall, 1.50" OD	26"	10.63"	34 lbs 15kg	30" 76cm	34" 86cm	22" 56cm
12058	.120" wall, 1.50" OD	30"	10.63"	38 lbs 17kg	30" 76cm	36" 91cm	22" 56cm