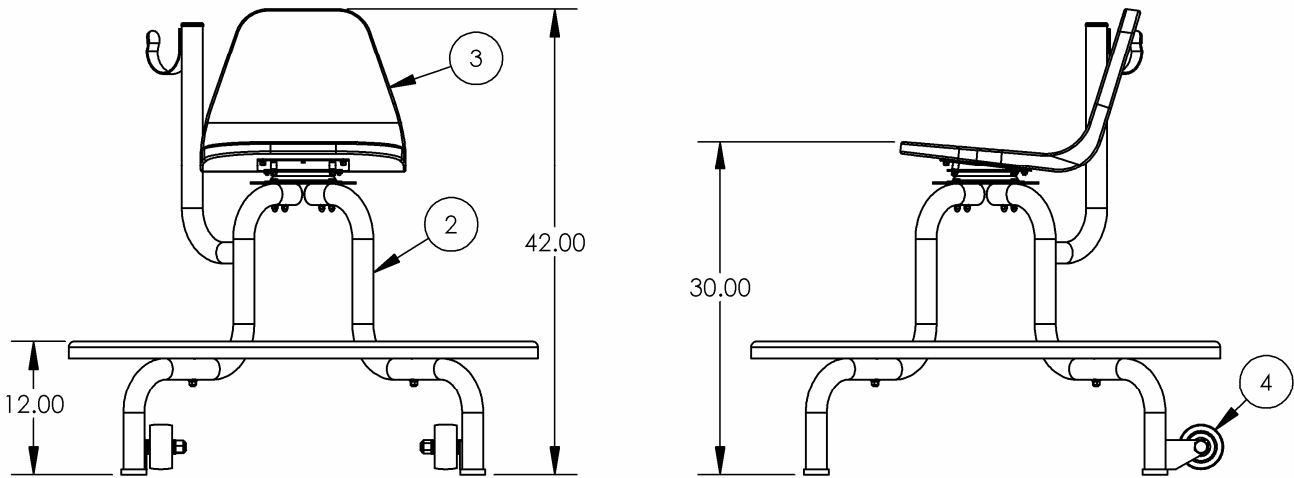
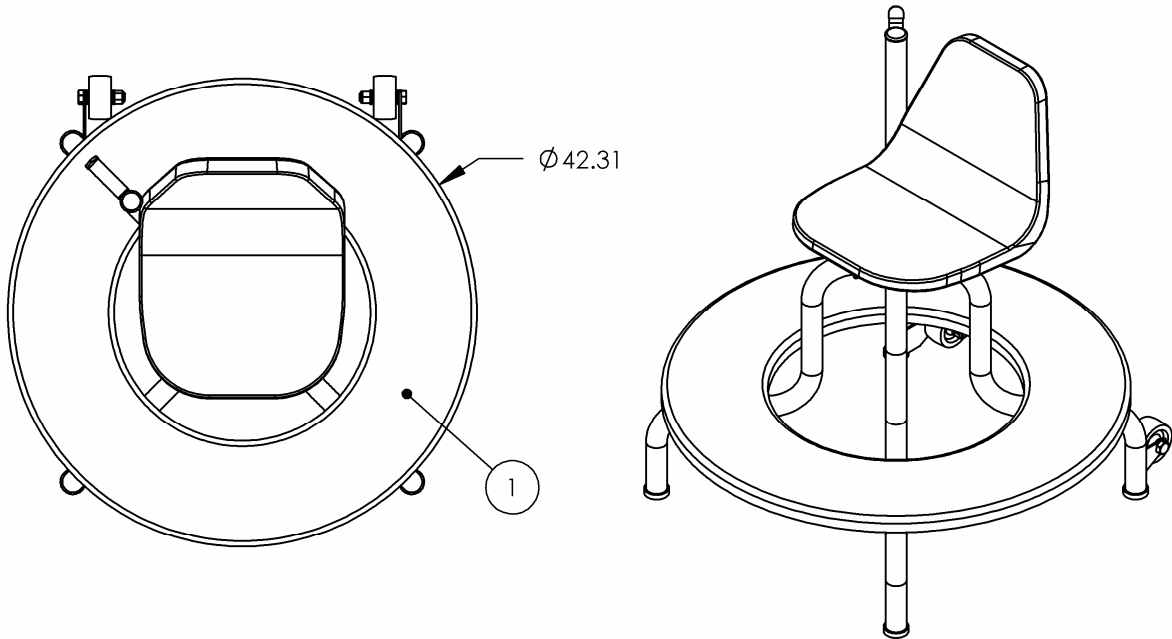


### 30 Inch O-Series Lifeguard Stand



Specification Number:	<b>SRS-110</b>	
Product Description:	<b>30 Inch O-Series Lifeguard Stand</b>	
S.R. Smith Part Number:	<b>LGC-1001</b>	Scale: NTS
Revision:	A	Date: 11/23/05
Written By:	J. Maguire	Date: 11/23/05
Approved By:		Date:
Page 1 of 2	Proprietary and confidential: The information contained in this specification is the sole property of S.R. Smith LLC. Any reproduction in part or whole without the written consent of S.R. Smith LLC is prohibited.	

**S.R. Smith, LLC**  
P.O. Box 400, 1017 SW Berg Parkway  
Canby, Oregon 97013  
Tel: (888) 677-7776 (503) 266-2231  
Fax: (503) 266-4334  
[www.srsmith.com](http://www.srsmith.com)



# S.R. Smith LLC Commercial Division

## Product Specifications - Written

**Product Name:** 30" O-Series Lifeguard Stand

**Part Number:** LGC-1001

**General Notes:**

The **30" O-Series Lifeguard Stand** is a short lifeguard chair with a round platform (footboard) and umbrella support. It is intended for temporary, semi-permanent, and permanent sites.

**Application:**

Depending upon installation design, local codes, and site requirements, this model is generally suitable for use on both commercial and competition pools. In addition, these stands may also have applications at water slides, amusement parks, and water parks and at sporting sites as judging stands or at other sites where portability is required or where permanent installation is not required.

**Specifications:**

- 1 Footboard: The observation platform (footboard) of the 30" O-Series Lifeguard Stand measures 42" diameter (1067mm) and is a solid laminated fir core covered with fiberglass reinforced acrylic. The top surface is a non-skid sanded tread.
- 2 Frame: The frame is constructed of polished (600 grit finish), 1.90" O.D. x .065 wall (48.25mm x 1.65) type 304 stainless steel. The frame consists of four legs and a platform support interlocked together. All bends have a nominal bend radius of 4" (101.6mm). Each of the four legs utilizes a white rubber bumper to protect the deck. The stand is equipped with a rescue tube and umbrella holder.
- 3 Seat w/ Swivel: A stainless steel swivel mechanism is attached to the upper end of the tube frame to allow for a 360° rotation of the contoured, low-side fiberglass seat.
- 4 Wheel: 4" dia. x 2" wide (101.6 mm x 50.8) solid polypropylene wheels are attached to the frame to facilitate moving of the lifeguard stand when needed.

**Additional Product Numbers:** N/A

**Shipping Weight:** 71 lbs (32.2 kg)

Specification Number:	SRS-110	
Product Description:	30" O-Series Lifeguard Stand	
S.R. Smith Part Number:	LGC-1001	
Revision:	A	Date: 11/23/05
Written By:	J. Maguire	Date: 11/23/05
Approved By:		Date:
Page 2 of 2	Proprietary and confidential: The information contained in this specification is the sole property of S.R. Smith LLC. Any reproduction in part or whole without the written consent of S.R. Smith LLC is prohibited.	

**S.R. Smith, LLC**  
**P.O. Box 400, 1017 SW Berg Parkway**  
**Canby, Oregon 97013**  
**Tel: (888) 677-7776 (503) 266-2231**  
**Fax: (503) 266-4334**  
**www.srsmith.com**