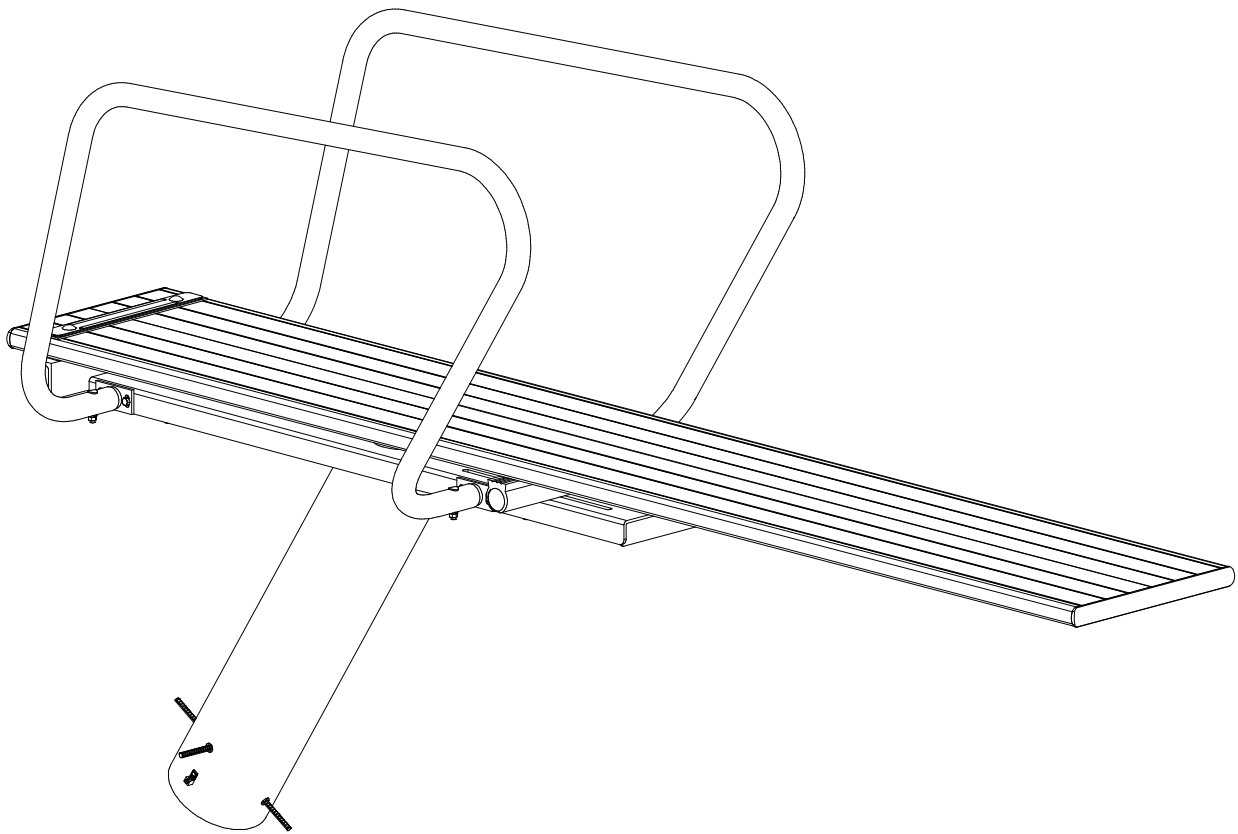




## 2/3 METER DECK LEVEL DIVING STAND

### ASSEMBLY AND INSTALLATION INSTRUCTIONS



CORPORATE HEADQUARTERS  
WESTERN SALES AND MANUFACTURING PLANT  
P.O. Box 400 • 1017 SW Berg Parkway  
Canby, Oregon 97013  
(503) 266-2231 • Fax (503) 266-4334  
[www.srsmith.com](http://www.srsmith.com)

## INTRODUCTION

The 2/3 METER DECK LEVEL DIVING STAND is designed for use on competitive or municipal pools. It provides a safe, unique look with a minimal amount of deck space. Proper and complete assembly, use, and maintenance are essential for proper operation and to reduce the risk of accident or injury.

### **\*\*IMPORTANT\*\***

Check entire box and inside all packing materials for parts. Before beginning assembly, read the instructions and identify parts using the figures and parts listed in this document. It is critical that all parts be carefully inspected by the installer prior to installation to ensure that no damage occurred in transit and that a damaged part is not used. Proper installation cannot be overstressed, as an improper installation voids S.R. Smith's warranty and may affect the safety of the user. **THIS STAND IS PRIMED ONLY. WE STRONGLY RECOMMEND A HIGH QUALITY ACRYLIC URETHANE ENAMEL FOR A DURABLE FINISH.**

### 2/3 METER – DLS-100 & DLS-101 PARTS LIST

ITEM NO.	QTY.	PART NO.	DESCRIPTION
1	1	DLS-100A	DLS-100 STAND, LESS HARDWARE
1	1	DLS-101A	DLS-101 STAND, LESS HARDWARE
2	1	25-101	FULCRUM ASSEMBLY
3	10	5-145	3/8" FLAT WASHER, S.S.
4	10	5-151	3/8" LOCK WASHER, S.S.
5	10	5-139	3/8" UNC, HEX NUT, S.S.
6	4	25-102	BRACKET ASSY, HANDRAIL
7	4	5-170	3/8"-16 X 2-1/2" CRADLE HEAD BOLT
8	4	5-151	LOCK WASHER, 3/8", SPLIT, S.S.
9	4	5-139	3/8" UNC, HEX NUT, S.S.
10	8	05-32-133	3/8"-16 X 1, HEX BOLT, S.S.
11	1	SEE TABLE 1	DIVING BOARD SOLD SEPARATELY
12	2	05-14-115	1/2" LOCK WASHER, SPLIT S.S.
13	2	08-501	RUBBER MOUNTING PAD, 18"
14	1	01-820	TOP MOUNT PLATE, 18" BOARD
15	2	05-14-116	1/2" HEX NUT S.S.
16	2	05-618	NUT CAP, 1/2", WHITE PLASTIC
17	1	FC-100A	FULCRUM COVER, 20"
18	2	8-606	END CAP, PLASTIC
19	2	05-31-174	1/2" UNC CARRIAGE BOLT, S.S.
20	1	25-104	DLS-100 HANDRAILS
20	1	25-106	DLS-101 HANDRAILS

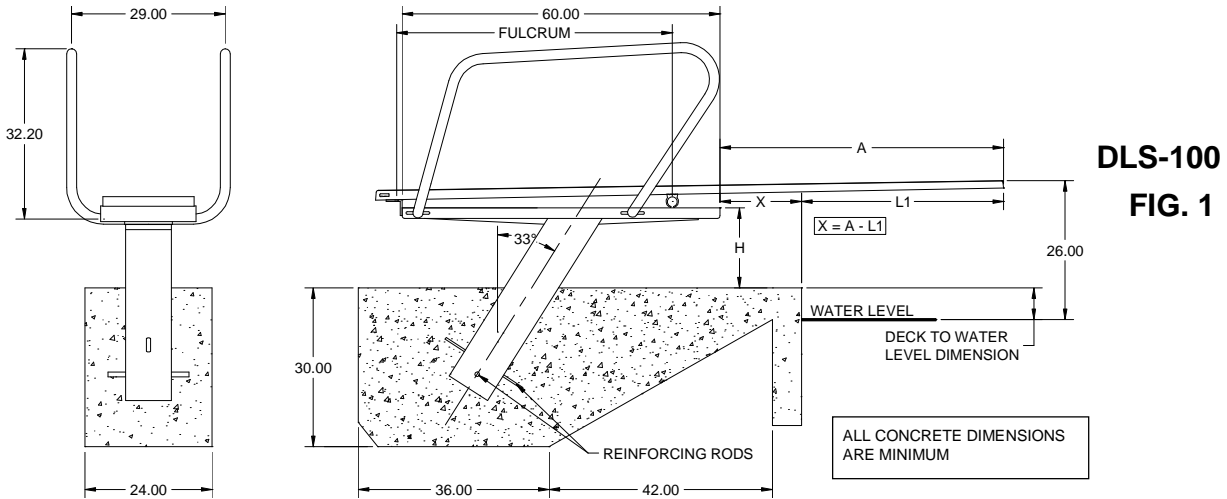
**NOTE:** ALL BOARD AND STAND COMBINATIONS SHALL BE INSTALLED IN ACCORDANCE WITH S.R. SMITH'S PUBLIC POOL SPECIFICATIONS AND ANSI/APSP/ICC-1 2014. COMPLY WITH LOCAL GOVERNMENT REGULATIONS FOR PUBLIC SWIMMING POOLS IF THEY EXCEED THE ANSI/APSP/ICC- 1 2014 STANDARD.

**TABLE 1 - INSTALLATION DIMENSIONS**

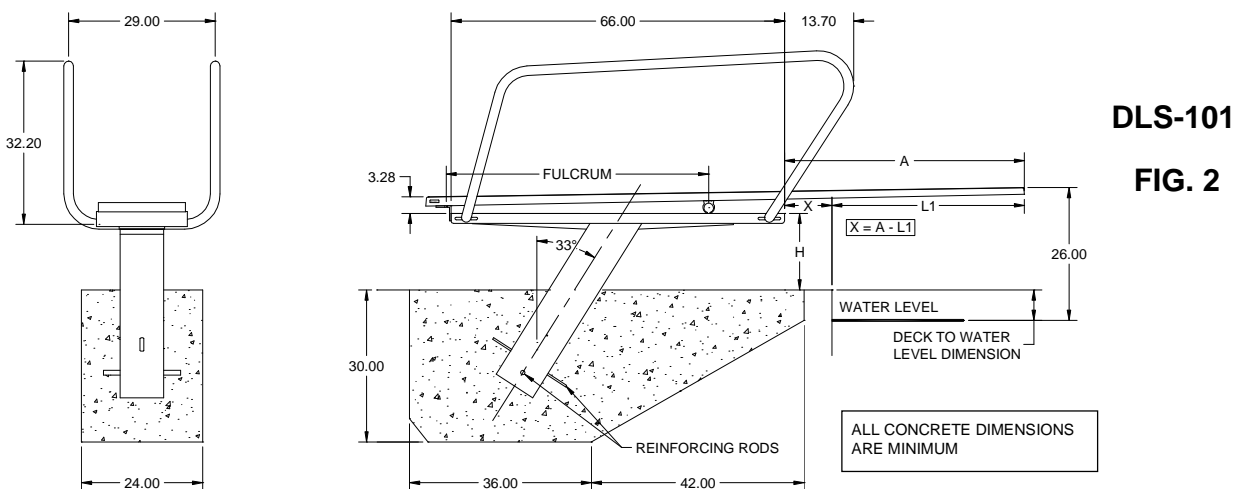
MODEL NO.	BOARD	FULCRUM	"A"	"H"
DLS-100	8'	40"	29 1/2"	H = 20" – DECK TO WATER LEVEL
	10'	52"	53 1/2"	
DLS-101	10'	52"	47 1/2"	
	12'	62"	71 1/2"	

**NOTE:** To locate the top of the tray above the deck (H), subtract the deck to water level dimension from 20". Example: Deck to water level = 6". 20" – 6" = 14" from deck to top of tray.

To determine the distance (X) for setting the front of the tray back from the pool wall, subtract the board overhang (L<sub>1</sub>) from (A) listed in Table 1 above. Refer to Figure 1 & Table 2 for (L<sub>1</sub>) dimensions for the various pool types taken from ANSI/APSP/ICC-1 2014. L<sub>1</sub> dimension is valid only in conjunction with D<sub>1</sub> depth for type pool and board to be used.



**DLS-100  
FIG. 1**



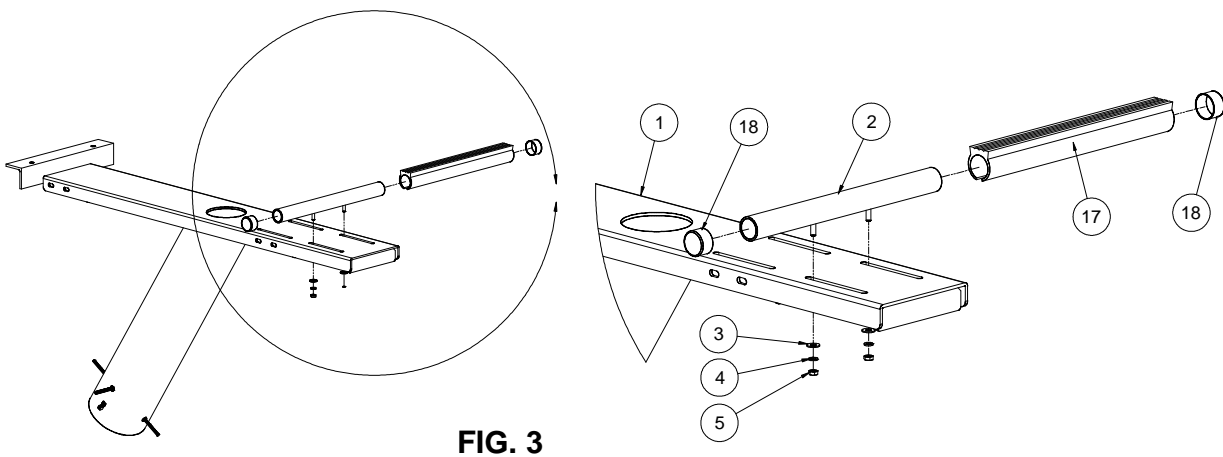
**DLS-101  
FIG. 2**

**TABLE 2- S.R.SMITH PUBLIC POOL SPECIFICATIONS**

Pool Type	RELATED DIVING EQUIPMENT		Note: Placement of boards shall observe the following minimum dimensions. With multiple board installations minimum pool widths must be increased accordingly.	
	Max. Diving Board Length	Max. Board Hgt. Over Water		
VI	10'	(2/3 Meter) 26"	Deck Level Board to Pool Side	8'
VII	12'	(3/4 Meter) 30"	1 Meter Board to Pool Side	10'
			3 Meter Board to Pool Side	11'
VIII	16'	1 Meter	1 Meter or Deck Level Board to 3 Meter Board	10'
IX	16'	3 Meter	1 Meter or Deck Level to another 1 Meter or Deck Level Board	8'
			3 Meter to another 3 Meter Board	10'

## ASSEMBLY INSTRUCTIONS

1. Carefully read pages 6 through 11 in this booklet, which contains the applicable articles of the ANSI/APSP/ICC-1 2014 STANDARD FOR PUBLIC SWIMMING POOLS. **COMPLY WITH LOCAL GOVERNMENT REGULATIONS FOR PUBLIC SWIMMING POOLS IF THEY EXCEED THE ANSI/APSP/ICC-1 2014 STANDARD.**
2. Refer to page 3 for correct placement of the **DLS STAND**, which is dependent on the type of pool and the length of diving board that is used. Begin by setting the **DLS STAND (item 1)** in concrete per local building codes. Excavate area required for concrete base. See **FIG.'S 1 & 2** for minimum dimensions of concrete surrounding the stand.
3. Ground the stand using provided grounding anchor, located on lower stand tube, per local electrical building codes.
4. Check stand for height and check levelness in two directions, pour concrete. (Reinforcing rods (rebar) are customer supplied, use #3 X 16" long minimum) **FILL PIPE WITH CONCRETE THROUGH HOLE IN TRAY.**
5. Paint the diving stand using a high quality acrylic urethane enamel for a durable finish. Do not begin assembly of the **DLS STAND** until mounting concrete is fully cured.
6. Place **Plastic End Caps (item 18)** over the ends of **Fulcrum Assembly (item 2)**. Slide **Fulcrum Cover (item 17)** over fulcrum assembly. Place fulcrum assembly threaded studs through appropriate slots in **DLS-Stand (item 1)**. To ensure proper fulcrum positioning see **TABLE 1**. Place **3/8" Flat Washer (item 3)** over the fulcrum assembly treaded studs. Place **3/8" Lock Washer (item 4)** over the fulcrum assembly treaded studs. Place **3/8" Hex Nut (item 5)** over the fulcrum assembly treaded studs. After appropriate fulcrum position has been determined and set, tighten hex nuts. See **FIG. 3**.



7. After **Diving Board (item 11)** has been selected, place **Rubber Mounting Pad (item 13)** onto angle plate located on the top, heel end, of the DLS stand. Align holes of rubber mounting pad with holes on DLS stand. Place diving board on top of rubber mounting pad and align holes of each. Place another rubber mounting pad on top of the diving board. Place **Top Mount Plate (item 14)** over rubber mounting pad and align holes to diving board. Place two (2) **1/2" UNC CARRIAGE BOLTS (item 19)** through holes in top mounting plate, rubber mounting pad, diving board, lower mounting pad and DLS stand. Place two (2) **1/2" Lock Washers (item 12)** and two (2) **1/2" Hex Nuts (item 15)** onto carriage bolts. Tighten hex nuts between 20 and 25 ft-lbs. for fiberglass boards, and between 35 and 40 ft-lbs. for aluminum boards. **DO NOT OVER TIGHTEN!** Place **1/2" Nut Caps (item 16)** over hex nuts two (2) places. See **FIG. 4**.

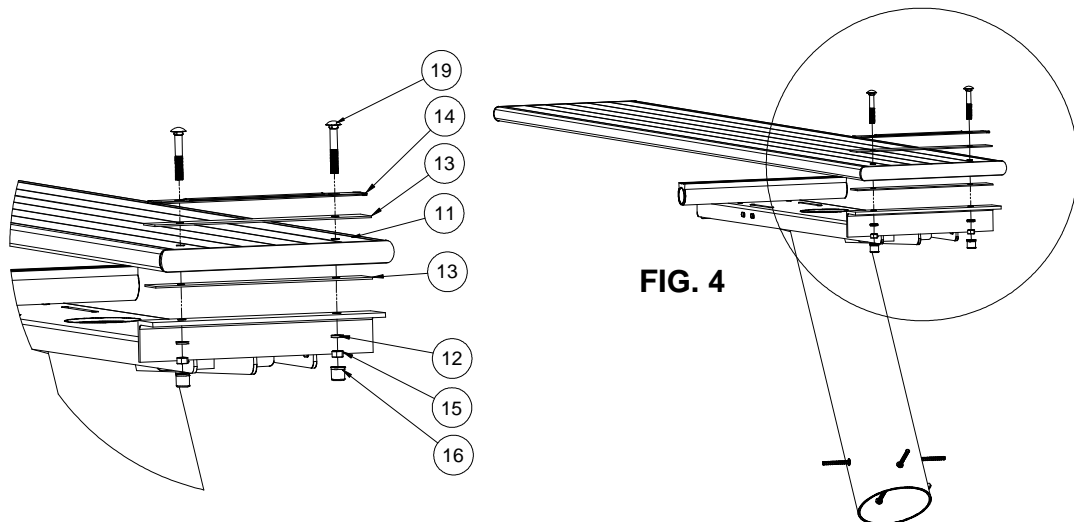


FIG. 4

8. Locate **Handrail Bracket Assembly (item 6)**. Handrail brackets are installed in four (4) places on the DLS Stand. Align slots in DLS Stand with slots in handrail bracket and place **3/8" Hex Bolt (item 10)** two (2) places. Place **3/8" Flat Washer (item 3)**, **3/8" Lock Washer (item 4)** and **3/8" Hex Nut (item 5)** onto hex bolts and tighten as shown below in FIG. 5. **Note: Handrails and Handrail Brackets are ordered separately.**

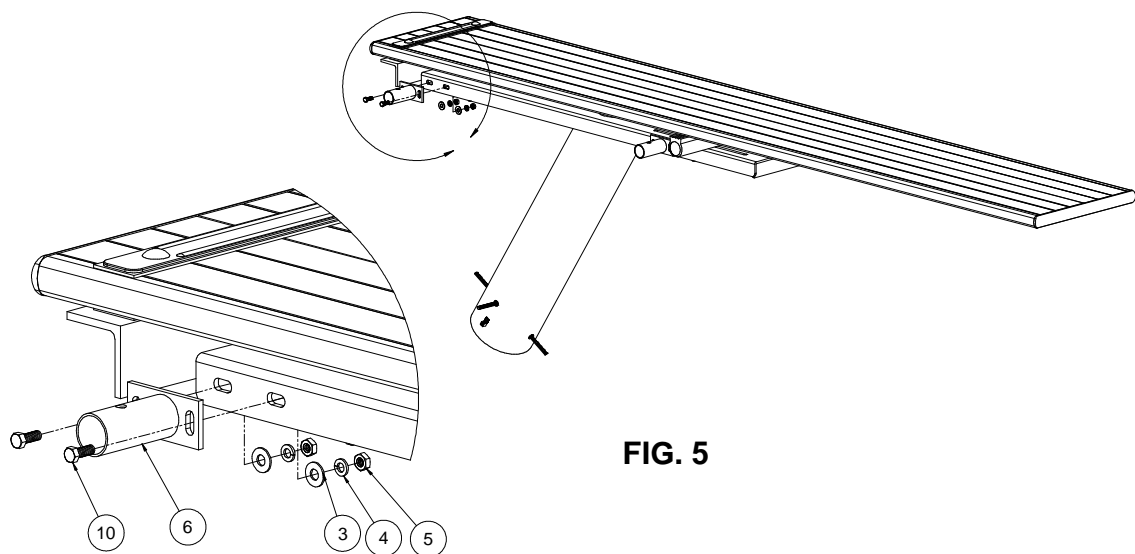


FIG. 5

9. Locate **Handrail (item 20)**, slide over installed handrail bracket assembly and align holes. Place **3/8" Cradle Head Bolt (item 7)** through handrail and handrail bracket. Place **3/8" Lock Washer (item 8)** and **3/8" Hex Nut (item 9)** onto cradle head bolt and tighten. **DO NOT OVER TIGHTEN!** See FIG. 6.

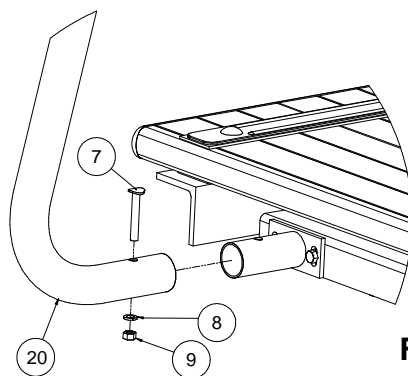


FIG. 6

**SELECTED SECTIONS EXTRACTED FROM  
ANSI/APSP/ICC-1 2014  
AMERICAN NATIONAL STANDARD FOR PUBLIC SWIMMING POOLS**

**Standard for Public Swimming Pools**

**1 Scope**

**1.1 Public swimming pools.** This standard covers public swimming pools to be used for swimming, bathing, competitive activities, or recreational activities and operated by an owner, lessee, operator, licensee, or concessionaire, regardless of whether a fee is charged for use.

**1.1.1 Public swimming pools covered by this standard.** Public swimming pools covered by this standard include the following:

**1.1.1.1 Class A pools.** Any pool intended for use for accredited competitive aquatic events such as Federation Internationale De Natation (FINA), USA Swimming, USA Diving, USA Synchronized Swimming, USA Water Polo, National Collegiate Athletic Association (NCAA), National Federation of State High School Associations (NFHS). The use of the pool is not limited to competitive events.)

**1.1.1.2 Class B pools.** Any pool, not otherwise classified, intended for public recreational use

**1.1.1.3 Class C pools.** Semi-public pools. Any pool operated solely for and in conjunction with lodgings such as hotels, motels, apartments, condominiums.)

**1.1.1.4 Class F pools.** Class F pools are wading pools and are covered within the scope of this standard as set forth in Sections 6.9 and 8.4.2 and as noted in other sections of the standard.

**1.2 Variation in design.** This standard provides specifications for the design, equipment, operation, warning signs, installation, sanitation, new construction, and renovation of public swimming pools. This standard permits variations in equipment, materials, and design to accommodate special needs and considerations and advances in technology and to provide the required quality, strength, durability, and safety for the intended use.

**1.3 Renovation.** Renovation does not include ordinary maintenance. Only those items that are renovated shall adhere to this standard. (See Section 3 Definitions)

**2 Normative references**

The following standards contain provisions that, through reference in this text, constitute provisions of this American National Standard. At the time of publication, the editions indicated were valid. All standards are subject to revision, and parties to agreements based on this American National

Standard are encouraged to investigate the possibility of applying the most recent editions of the standards indicated at right.

Americans with Disabilities Act (ADA) Accessibility guidelines for buildings and facilities; recreation facilities 1  
ACI 302.1 R-04 (2004), Guide for concrete floor and slab construction 2

ANSI/APSP-2 1999 Standard for Public Spas 3  
ANSI/NSF 50 (2012), Circulation system components and related materials for swimming pools, spas/hot tubs 4  
ANSI/NSF 14 (2012), Plastics piping system components and related materials 5

ANSI/NEMA-MG1-2007, Motors and generators 6  
ANSI/APSP/ICC-7 2013 Standard for Suction Entrapment Avoidance in Swimming Pools, Wading Pools, Spas, Hot Tubs, and Catch Basins 7

ANSI/APSP-16 2011 Standard for Suction Fittings for Use in Swimming Pools, Wading Pools, Spas, and Hot Tubs 8  
ANSI/NFPA 70: National Electrical Code, 2014 9  
ANSI Z21.56-2013/CSA 4.7-2013, Gas fired pool heaters 10

UL 1261 (2001), Standard for electric water heaters for pools and tubs 11

UL 1995 (2011), Standard for heating and cooling equipment 12

ANSI/NFPA 54/ANSI Z223.1 2012, National Fuel Gas Code 13

ANSI/NFPA 58 2014, Liquefied Petroleum Gas Code 14  
ASME A112.1.2 (2012), Air gaps in plumbing systems 15  
ANSI/APSP-11 2009 Standard for Water Quality in Public Pools and Spas 16

ANSI Z535 series for safety signs and colors (5 standards) (2011) 17

ASTM F2208-08, Standard specification for pool alarms 18  
ASTM 1346-91(2010), Standard performance specification for safety covers and labeling requirements for all covers for swimming pools, spas, and hot tubs 19

- |          |  |
|----------|--|
| 1        | U.S. Architectural and Transportation Barriers Compliance Board, 1331 F Street, NW, Suite 1000, Washington, DC 20004, (202) 272-0080, <a href="http://www.access-board.gov">www.access-board.gov</a> |
| 2        | American Concrete Institute, 38800 Country Club Drive, Farmington Hills, MI 48331, (248) 848-3800, <a href="http://www.concrete.org">www.concrete.org</a>  |
| 3, 7, 8, | The Association of Pool and Spa Professionals, 2111 Eisenhower   |
| 16.      | Avenue, Alexandria, VA 22314, (703) 838-0083, <a href="http://www.APSP.org">www.APSP.org</a>   |
| 4, 5.    | NSF International, 789 N. Dixboro Rd., Ann Arbor, MI 48113 (734) 769-8010, <a href="http://www.nsf.org">www.nsf.org</a>  |
| 6.       | The Association of Electrical Equipment and Medical Imaging Manufacturers (NEMA), 1300 N. 17th Street, Suite 1847, Rosslyn, VA 22209 (703) 841-3200, <a href="http://www.nema.org">www.nema.org</a>  |
| 9, 13,   | National Fire Protection Association (NFPA), 1 Batterymarch  |
| 14.      | Park, Quincy, MA 02269 (617) 770-3000, <a href="http://www.nfpa.org">www.nfpa.org</a>  |
| 10, 17.  | American National Standards Institute (ANSI), 25 West 43rd Street, New York, NY 10036, NY (212) 642-4900, <a href="http://www.ansi.org">www.ansi.org</a>   |
| 11, 12.  | Underwriters Laboratories (UL), 333 Pfingsten Road, Northbrook, IL 60062, (847) 272-8800, <a href="http://www.ul.com">www.ul.com</a>   |

15. American Society of Mechanical Engineers (ASME), 3 Park Avenue, 20th Floor, New York, NY 10016, (212) 591-8562, [www.asme.org](http://www.asme.org)
- 18, 19. ASTM International, 100 Barr Harbor Drive, W. Conshohocken, PA 19428, (610) 832-9585, [www.astm.org](http://www.astm.org)

### 3 Definitions

Public swimming pools are classified as follows for purposes of reference and application of this standard:

**Class A pools:** Class A pools are pool intended for use for accredited competitive aquatic events such as Fédération Internationale de Natation (FINA), USA Swimming, USA Diving, USA Synchronized Swimming, USA Water Polo, National Collegiate Athletic Association (NCAA), National Federation of State High School Associations (NFHS), etc. The pool may also be used for recreation. Class A pools are covered unless otherwise noted in the body of the standard.

**Class B pools:** Class B pools are pools intended for public recreational swimming not otherwise classified. Class B pools are covered within the scope of this standard.

**Class C pools:** Class C pools are pools intended for use for apartments, condominiums, property owners associations, multi-family owned pools, etc. and are covered within the scope of this standard. Pools operated solely for and in conjunction with lodgings such as hotels and motels are also covered within the scope of this standard.

**Class D pools:** Class D pools are *not* covered within the scope of this standard. Class D pools are operated for special purposes, including but not limited to wave action pools, activity pools, leisure rivers, vortex pools, and sand bottom pools.

**Class E pools:** Class E pools are pools used for physical therapy and are above 86 °F (30 °C) and are *not* covered within the scope of this standard.

**Class F pools:** Class F pools are wading pools and are covered within the scope of this standard as set forth in Sections 6.9 and 8.4.2, and as noted in other sections of this standard.

**remodel:** To install cosmetic changes, accessory add-ons, alterations, or modernizations to a commercial installation. See *Renovate*.

**renovate:** To restore or repair all or part of a pool structure and/or its component parts, including the rebuilding and/or replacing of worn or broken parts. See *Remodel*.

**slip-resisting:** A surface that has been so treated or constructed to significantly reduce the chance of a user slipping. The surface shall not be an abrasion hazard.

### 4 Code compliance

**4.1 Codes.** Pools covered by this standard shall be constructed and operated to comply with all local, state, and federal codes governing safety and environmental regulations.

### 5 General design

**5.1 Plans and permits.** Prior to construction, remodeling, or renovation of a permanently installed public swimming pool, plans and specifications shall be submitted to the authority (state or local) for review, approval, and issuance of a permit to construct, remodel, or renovate as required by the authority having jurisdiction.

**5.2 Materials.** Swimming pools and all appurtenances thereto shall be constructed of materials that are nontoxic to humans and the environment; that are generally or commonly regarded to be impervious and enduring; that will withstand the design stresses; and that will provide a watertight structure with a smooth and easily cleanable surface without cracks or joints, (excluding structural joints), or to which a smooth, easily cleanable surface/finish is applied or attached.

**5.2.1 Use of sand.** Clean sand or similar material, if used in a beach or pool environment, shall be used only over an impervious surface. The sand area shall be designed and controlled so that the circulation system, maintenance, safety, sanitation, and operation of the overall pool are not adversely affected.

**5.3 Structural design.** The structural design shall be in accordance with accepted engineering practices.

**5.4 Freeze protection.** In climates subject to freezing temperatures, the pool shell and appurtenances, piping, filter system, pump and motor, and other components shall be designed and constructed to facilitate protection from damage due to freezing.

**5.5 Surface condition.** The surfaces within the pool intended to provide footing for users shall have a slip-resisting surface and shall not cause injury to the feet during normal use.

**5.6 Colors and finishes.** The colors, patterns, or finishes of the pool interior shall not obscure objects or surfaces within the pool.

**5.7 Accessibility for persons with disabilities.** For Americans with Disabilities Act (ADA) requirements for accessibility for persons with disabilities into public swimming pools, see ADA Accessibility guidelines for buildings and facilities, recreation facilities (ADAAG).

**NOTE:** For ADA requirements, see U.S. ADA Accessibility guidelines (ADAAG). (For more information on the U.S. Department of Justice Americans with Disabilities Act, visit the ADA web site at [www.ada.gov](http://www.ada.gov). Some pools may be exempt from ADA. See ADA definition of public accommodation for Title II and (Title III facilities).

### 6 Dimensional design

**6.1 Perimeter shape.** This standard is not intended to regulate the perimeter shape of swimming pools. It is the designer's responsibility to take into account the effect a given shape will have on the safety of the occupants and required circulation to ensure sanitation. All other dimensions, unless otherwise specified should allow a  $\pm 2$  in. (51 mm) tolerance.

**6.1.1** There shall be no protrusions, extensions, and means of entanglement, or other obstructions in the swimming

pool areas that may cause the entrapment or injury of the user.

**6.2** Allowable construction tolerances. Finished pool dimensions shall be held within the following construction tolerances as shown in Table 6.2.

Table 6.2 Construction Tolerances	
Design Requirements	Construction Tolerance Allowed
Length – overall	± 3 in. (± 76 mm)
Width – overall	± 3 in. (± 76 mm)
Depth – deep area	± 3 in. (± 76 mm)
Depth – shallow area	± 2 in. (± 51 mm)
Step treads & risers	± 1/2 in. (± 13 mm)
Waterline – pools with adjustable weir skimmers	± 1/4 in. (± 6 mm)
Waterline – pools with non-adjustable skimming systems (gutters)	± 1/8 in. (± 3 mm)
All dimensions not otherwise specified in this standard	± 2 in. (± 51 mm)
Competitive pools – Class A pools – All dimensional requirements	As governed by authority having jurisdiction

**6.2** These construction tolerances are not applicable to Class A pools.

**6.2.2 Diving Envelope.** Negative construction tolerances shall not be applied to the shallow dimensions of the Minimum Diving Envelope in Table 6.2.2.

**6.3 Floor slope.** Floor slopes shall be in compliance with 6.3.1 through 6.3.5, except the requirements by the ADA Accessibility Guidelines (ADAAG).

**6.3.1** All pool floors shall be sloped to the drain

**6.3.2** The slope of the floor in the shallow area shall not exceed 1 ft in 10 ft in Class C pools or 1 ft in 12 ft (1: 12) in Class B pools in any direction to the point of the first slope change, if a slope change exists.

**6.3.3** The point of the first slope change shall be defined as the point at which the floor slope exceeds 1 ft in 10 ft (1: 10) in Class C pools or 1 ft in 12 ft (1: 12) in Class B pools.

**6.3.4** The slope of the floor from the point of the first slope change to the deep area shall not exceed 1 ft in 3 ft (1: 3).

Figure 6.2.2: Construction dimensions for water envelopes for Class B and C pools

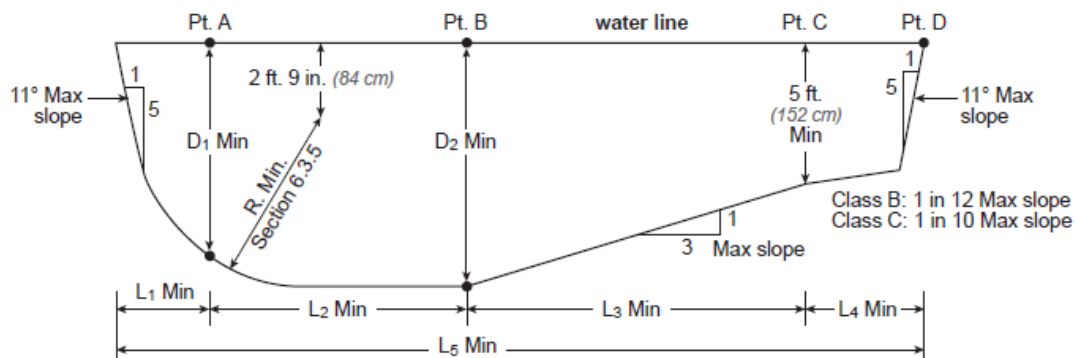
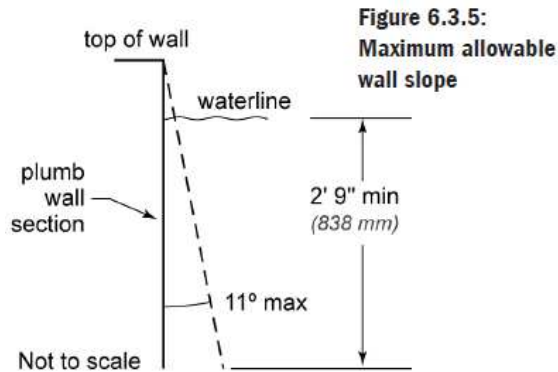


Table 6.2.2: Minimum Diving Water Envelopes											
Pool Type	Minimum Dimensions								Minimum Width of Pool at:		
	D1	D2	R	L1	L2	L3	L4	L5	Pt. A	Pt. B	Pt. C
VI	7' – 0" (213 cm)	8' – 6" (259 cm)	5' – 6" (168 cm)	2' – 6" (76 cm)	8' – 0" (244 cm)	10' – 6" (320 cm)	7' – 0" (213 cm)	28' – 0" (853 cm)	16' – 0" (488 cm)	18' – 0" (549 cm)	18' – 0" (549 cm)
VII	7' – 6" (229 cm)	9' – 0" (274 cm)	6' – 0" (183 cm)	3' – 0" (91 cm)	9' – 0" (274 cm)	12' – 0" (366 cm)	4' – 0" (122 cm)	28' – 0" (853 cm)	18' – 0" (549 cm)	20' – 0" (610 cm)	20' – 0" (610 cm)
VIII	8' – 6" (259 cm)	10' – 0" (305 cm)	7' – 0" (213 cm)	4' – 0" (122 cm)	10' – 0" (305 cm)	15' – 0" (457 cm)	2' – 0" (610 cm)	31' – 0" (945 cm)	20' – 0" (610 cm)	22' – 0" (671 cm)	22' – 0" (671 cm)
IX	11' – 0" (335 cm)	12' – 0" (366 cm)	8' – 6" (259 cm)	6' – 0" (183 cm)	10' – 6" (320 cm)	21' – 0" (640 cm)	0' – 0" (0 cm)	37' – 6" (11.4 m)	22' – 0" (671 cm)	24' – 0" (732 cm)	24' – 0" (732 cm)

Note 1: Negative tolerances (see Section 6.2) shall not be applied to any of the dimensions shown in this table.



Note 2: Pool types dictate the minimum water envelope dimensions as specified by the diving board manufacturers.



**Figure 6.3.5:**  
**Maximum allowable wall slope**

**6.3.5 Walls.** Where walls join the floor the transitional point or profile shall comply with the following:

Except for Class A pool walls where racing lanes terminate, walls may slope a maximum of 11° from plumb (see Figure 6.3.5).

- Walls may intersect with the floor at an angle or transition profile
- At water depths between 3 ft to 5 ft (91 to 152 cm) the maximum radius shall be 2 ft 3 in. (69 cm).
- At water depths of 3 ft (91 cm) or less, a transitional radius shall not exceed 6 in. (15 cm) and shall be tangent to the wall and may be tangent to or intersecting the floor
- At water depths greater than 3 ft (91 cm), a transitional radius shall be tangent to the wall at a point no less than 2 ft 6 in. (76 cm) below the water surface and may progressively increase from 6 in. (15 cm) to a value capable of being tangent to, or intersecting, the floor

**6.4 Water depths.** Water depths for swimming areas shall be a minimum depth of 3 ft (91 cm) unless the authority having jurisdiction specifies otherwise.

6.4.1 Class A pools shall be designed and constructed to provide the dimensions specified by Fédération Internationale de Natation (FINA), USA Swimming, USA

**6.6** Manufactured diving equipment installation and use instructions shall be provided by the diving equipment manufacturer, and shall specify the minimum water dimensions required for each diving board and diving stand combination. They shall refer to the diving envelope type of their choice by dimensionally relating their product to Point A on the diving envelopes as shown in Figure 6.2.2, Table 6.2.2, and Sections 6.6–6.6.1.2.

**6.6.1 Point A.** Point A is the point from which all dimensions of width, length, and depth are established for the Minimum Diving Water Envelope (see Figure 6.2.2 and Table 6.2.2). If the tip of the diving board or diving platform overhang is located at a distance of Point A or greater from the deep end wall, and the water depth at that location is equal to or greater than the water depth requirement at Point A, then the point on the water surface at the design water level directly below the center of the tip of the diving board or diving platform shall be designated as Point A.

**6.6.1.1 Location of point A.** The Minimum Diving Water Envelope dimensions for pools with manufactured diving equipment shall be taken from Point A as shown in Figure 6.2.2. Point A shall be defined as the point on the water surface at the design water level where the water depth is required at Point A and is provided at a distance of Point A as shown in Figure 6.2.2 and Table 6.2.2 from the deep end wall. The center of the tip of the diving board or platform, manufactured or field fabricated, shall be located directly above Point A.

**6.6.1.2 Point A,** as shown in Figure 6.2.2 and Table 6.2.2, shall be the reference point of origin for all dimensions defining the minimum diving envelope.

**6.6.2 Location of equipment and pool features in the minimum diving envelope.** If the pool is designed for use with diving equipment, all steps, pool stairs, ladders, underwater benches, offset ledges, special features, and other accessory items, or any parts thereof, shall be located outside the Minimum Diving Envelope (see Figure 6.3.5).

**Table 6.8: Maximum User Load**

Pool/Deck Area	Shallow Instructional or Wading Areas	Deep Area (not including diving are)	Diving Area (per each diving board)
Pools with minimum deck area (see 7.1.6-7.1.6.1.)	15 sq ft. per user (1.35 m <sup>2</sup> per user)	20 sq ft. per user (1.8 m <sup>2</sup> per user)	300 sq ft. per user (27 m <sup>2</sup> per user)
Pools with deck area at least equal to water surface area	12 sq ft. per user (1.08 m <sup>2</sup> per user)	15 sq ft. per user (1.35 m <sup>2</sup> per user)	300 sq ft. per user (27 m <sup>2</sup> per user)
Pools with deck area at least twice the water surface area	8 sq ft. per user (0.72 m <sup>2</sup> per user)	10 sq ft. per user (0.9 m <sup>2</sup> per user)	300 sq ft. per user (27 m <sup>2</sup> per user)

Diving, USA Synchronized Swimming, USA Water Polo, NCAA, NFHS, or other appropriate sanctioning body.

**6.5 Diving.** This standard does **not** cover diving requirements for Class A pools. This standard covers diving requirements for Class B and Class C pools.

**6.5.1** When manufactured or field fabricated diving equipment is installed, it shall conform to the specifications set forth in Sections 7.2.1 through 7.2.5.6. It shall be located in the deep area of the pool to provide at least the minimum dimensions as shown in Table 6.2.2 and shall be installed in accordance with the manufacturer's instructions.

**6.7 Rest ledges.** Rest ledges along the pool walls are permitted. They shall not be less than 4 ft (122 cm) below the water surface. If a ledge is provided it shall be at least 4 in. (10 cm) wide and no more than 6 in. (15 cm) wide.

**6.8 Maximum user load.** The maximum user load of Class B or Class C pools shall be in accordance with Table 6.8.

**6.9 Wading pools.** A wading pool shall be a separate pool with an independent circulation system and physically separated from the main pool as described in Sections 6.9.1 through 6.9.5.

- 6.9.1** Areas where the water depth at the edge of the pool exceeds 9 in. (23 cm) shall be considered non-entry areas and must be protected by natural or artificial barriers.
- 6.9.2** Floors of wading pools shall be uniform and sloped to drains, if existing with a maximum slope of 1 ft in 12 ft (1: 12).
- 6.9.3** The maximum water depth shall be 18 in. (457 mm).
- 6.9.4** The maximum distance from the top of the deck to the water line shall not exceed 6 in. (15 cm).
- 6.9.5** Suction entrapment avoidance methods for wading pools shall be in accordance with ANSI/APSP/ICC-7.
- Exception:** Suction outlets are prohibited in wading pools.

## 7 Decks and deck equipment

**7.1** Decks shall comply with Sections 7.1.1 through 7.1.17, as applicable.

**7.1.1** Deck(s) shall be designed and installed in accordance with the engineering methods required by the authority having jurisdiction.

**7.1.1.1** In the absence of specific local requirements a concrete deck shall be designed and constructed in accordance with the recommended practices of the latest published edition of American Concrete Institute (ACI) *Standard 302.1r-2004, Guide for Concrete Floor and Slab Construction*, or in accordance with the requirements of the local authority, the authority having jurisdiction, or both. The deck shall be designed and constructed to meet the applicable requirements of the Americans with Disabilities Act.

**7.1.2** Decks, ramps, coping, and similar step surfaces shall be slip-resisting and cleanable.

**7.1.3** Special features in or on deck(s) such as markers, brand insignias, or similar materials shall be slip-resisting.

**7.1.4** Step risers for the deck shall be uniform and have a minimum height of 3-3/4 in. (9.5 cm) and a maximum height of 7-1/2 in. (19 cm). A handrail shall be provided for stairs having three or more risers. The minimum tread distance from front to back shall be 11 in. (28 cm).

**7.1.5** The deck or unobstructed access shall be provided at a minimum of 65% of the pool perimeter to meet the requirement of the 10/20 rule.

**NOTE:** The 10/20 rule states that a qualified lifeguard or a number of lifeguards shall be trained and stationed in a manner that will permit them to identify an incident or trauma within ten (10) seconds of its initiation. Upon identification of the incident or trauma, the guard shall be able to respond to and initiate indicated protocol appropriate to the circumstance within twenty (20) additional seconds.

**7.1.5.1** A minimum 4 ft (122 cm) deck width shall be provided on the sides and rear of any diving equipment, including diving boards, jump boards, diving rocks, platforms, starting blocks. A deck clearance of 3 ft (91 cm) shall be provided around all other deck equipment.

**7.1.6** The minimum slope of the deck(s) shall be 1/8 in. per ft (1: 96) for textured, hand-finished concrete decks; 1/4 in. per ft (1: 48) for exposed aggregate concrete decks; 1/2 in. per 1 ft (1: 24) for indoor/outdoor carpeting decks; and 3/8 in. per ft (1: 32) for brick and heavy textured finishes, unless an alternate drainage method is provided that prevents the accumulation of pooling of water (see *Table 7.1.6*).

**7.1.6.1** Decks shall be sloped so that standing water shall be no deeper than 1/8 in. (3 mm), 20 minutes after the cessation of the addition of water to the deck.

**NOTE:** Two stacked U.S. quarters can be used to measure the depth. Water should not cover the quarters.

Surface	Minimum drainage slope
Textured, hand-finished concrete	1/8 in./ft (1: 96)
Exposed aggregate	1/4 in./ft (1: 48)
Carpet	1/2 in./ft (1: 24)
Brick and heavy textures, finished	3/8 in./ft (1: 32)

**7.1.7** The maximum slope of all decks, other than wood decks, shall be 1/2 in. per ft (1: 24) except for ramps.

**7.1.7.1** The maximum slope for wood decks shall be 1/8 in. per ft (1: 96).

**7.1.7.2** Gaps shall be required between deck boards in wood decks, and shall be consistent with approved engineering methods with respect to the type of wood used. They shall not cause a tripping hazard.

**7.1.8** The maximum open gap between pool decks and adjoining decks or walkways, including joint material, shall be 3/4 in. (19 mm). The difference in vertical elevation between the pool deck and the adjoining sidewalk shall be 1/4 in. (6 mm) unless it conforms to Section 7.1.4.

**7.1.9** Construction joints where the pool coping meets the concrete deck(s) shall be watertight.

**7.1.10** Construction joints where the pool coping meets the concrete deck(s) shall be installed to protect the coping and its mortar bed from damage as a result of the anticipated movement of adjoining deck(s).

**7.1.11** Control joints in deck(s) shall be provided to minimize visible cracks outside the control joints due to imposed stresses and/or movement of the slab.

**7.1.12** Areas where decks join existing concrete work shall be protected by an expansion joint to protect the pool from the pressures of relative movements.

**7.1.13** The edges of all decks shall be radiused, tapered, or otherwise designed to eliminate sharp corners.

**7.1.14 Pressure tests.** The pressure testing of the pool piping shall be maintained throughout the pool's construction and in accordance with Section 8.4.

**7.1.15** Valves installed in or under any deck(s) shall have access provided for operation, service, and maintenance. Access covers shall be provided.

**7.1.16** Hose bibb(s), with a cross connection control to prevent backflow, shall be provided for rinsing down the entire deck and shall be in accordance with the authority having jurisdiction.

**7.1.17** Water-powered devices (such as water-powered lifts) shall have a dedicated hose bib (water source) with approved backflow protection in accordance with the authority having jurisdiction.

**7.2 Deck equipment.** Deck equipment including diving facilities and starting blocks shall comply with Sections 7.2.1 through 7.4, as applicable.

**7.2.1** A minimum 4 ft (122 cm) deck width shall be provided on the sides and rear of any diving equipment, including diving boards, jump boards, diving rocks, platforms, starting blocks.

**7.2.2 Starting blocks.** Starting blocks are intended for competitive swimming and shall conform to Fédération Internationale de Natation (FINA), USA Swimming, National Collegiate Athletic Association (NCAA), or National Federation of State High Schools Associations (NFHS) regulations.

**7.2.3** The diving equipment manufacturer shall specify minimum head room required above the tip of the board.

**7.2.4** Public pools with diving equipment of 1 meter (39.4 in.) or greater in height, or pools designed for springboard or platform diving, shall comply with the dimensional design requirements of Fédération Internationale de Natation (FINA), USA Diving, National Collegiate Athletic Association (NCAA), National Federation of State High Schools Association (NFHS) or the appropriate sanctioning body.

**7.2.5** Diving equipment. Diving equipment shall be installed in accordance with the manufacturer's specifications.

**7.2.5.1** The diving equipment manufacturer shall affix a label to the diving equipment.

**7.2.5.2** A label shall be permanently affixed to and visibly located on the diving equipment or jump board and shall include but not be limited to the following:

- The minimum water envelope required for each diving board and diving stand combination.
- Manufacturer's name and address.
- Manufacturer's identification and date of manufacture, and
- The maximum weight of the user.

**7.2.5.3** The diving equipment manufacturer shall provide diving equipment use instructions.

**7.2.5.4** Diving equipment shall have slip-resisting tread surfaces.

**7.2.5.5** Supports for diving equipment. Supports, platforms, stairs, and ladders for diving equipment shall be designed to carry the anticipated loads. Stairs and ladders shall be of corrosion-resisting material and shall be easily cleanable and with slip-resisting tread. All diving stands higher than 21 in. (53 cm) measured from the deck to the top back end of the board shall be provided with stairs and/or a ladder. Step treads shall be self-draining.

**7.2.5.6** Diving equipment 1 meter (39.4 in.) high or higher shall be provided with a top guard rail, which shall be at least 30 in. (76 cm) above the diving board, and extend to above the edge of the pool wall.

**7.2.5.7** Springboard fall protection guards. Springboards located at a height greater than 5 ft (1.5 m) above the pool deck shall have a fall protection guard on each side of the springboard. The design and the selection of the materials of construction of such fall protection guards shall be determined by the manufacturer of the springboard support structure. The installation and maintenance of such fall protection guards shall be in accordance with the fall protection guard manufacturer's instructions.

**7.3 Swimming pool slides.** Swimming pool slides, when installed, shall comply with the requirements of the U.S. Consumer Product Safety Commission (CPSC) as published in the *Code of Federal Regulations*, 16 CFR, Part 1207. The manufacturer shall provide installation and use instructions with each slide. Each slide shall be installed in accordance with the manufacturer's instructions.

**7.4 Play/water activity equipment.** When installed, play/water activity equipment shall be installed in accordance with manufacturer's instructions.

**For a copy of the complete ANSI/APSP/ICC-1 2014 American National Standard for Commercial Inground Swimming Pools contact:**

**The Association of Pool and Spa Professionals (APSP)**

**2111 Eisenhower Avenue**

**Suite 500**

**Alexandria, VA 22314-4695**

**Phone: (703) 838-0083**

**Fax: (703) 549-0493**

**[www.apsp.org](http://www.apsp.org)**