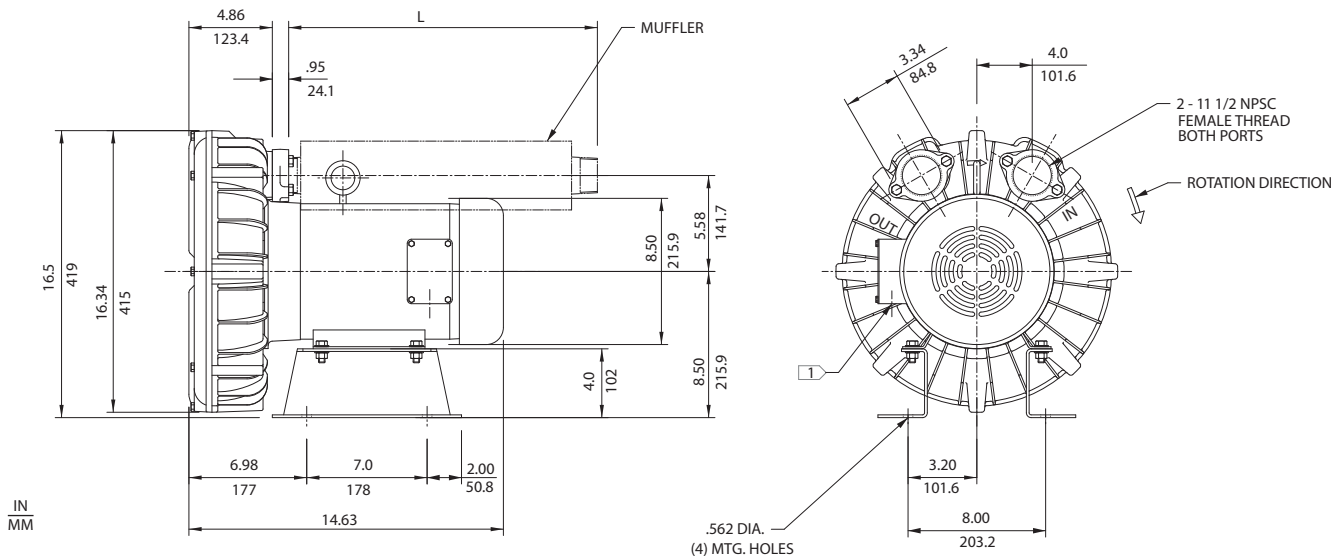


DR 6 & CP 6

3.0 / 5.0 HP Regenerative Blower



NOTES

- 1 TERMINAL BOX CONNECTOR HOLE 1.06 (26.9) DIA.
- 2 DRAWING NOT TO SCALE, CONTACT FACTORY FOR SCALE CAD DRAWING.
- 3 CONTACT FACTORY FOR BLOWER MODEL LENGTHS NOT SHOWN.

MODEL	L (IN/MM)
DR6D89	18.00/457.2
DR6K72	18.00/457.2

Specification	Units	Part/ Model Number					
		DR6D89 027578	DR6D5 036212	DR6D86 027579	DR6K72 027600	CP6FF72LR 038253	HI6D89 038071
Motor Enclosure - Shaft Mt.	-	TEFC-CS	TEFC-CS	TEFC-CS	TEFC-CS	CHEM TEFC-SS	TEFC-CS
Horsepower	-	5.0	5.0	5.0	3.0	5.0	5.0
Voltage	AC	230/460	230	575	230/460	230/460	230/460
Phase - Frequency	-	Three - 60 Hz	Single - 60 Hz	Three - 60 Hz	Three - 60 Hz	Three - 60 Hz	Three - 60 Hz
Insulation Class	-	F	F	F	F	F	F
NEMA Rated Motor Amps	Amps (A)	11.2/5.5	21	4.8	13.3-12/6	17.3-15.6/7.8	17.3-15.6/7.8
Service Factor	-	1.15	1.0	1.15	1.15	1.15	1.15
Max. Blower Amps	Amps (A)	16/8	25	5.4	12/6	15-14.8/7.4	15-14.8/7.4
Locked Rotor Amps	Amps (A)	165-155/76	124	60	106/53	165-155/76	165-155/76
NEMA Starter Size	-	1/1	1.5	1	1/0	1/1	1/1
Shipping Weight	Lbs	148	156	148	132	148	148
	Kg	67.1	70.8	67.1	59.9	67.1	67.1

Operating Temperatures - Maximum operating temperature: Motor winding temperature (winding rise plus ambient) should not exceed 140°C for Class F rated motors or 120°C for Class B rated motors. Blower outlet air temperature should not exceed 140°C (air temperature rise plus inlet temperature). Performance curve maximum pressure and suction points are based on a 40°C inlet and ambient temperature. Consult factory for inlet or ambient temperatures above 40°C.

Maximum Blower Amps - Corresponds to the performance point at which the motor or blower temperature rise with a 40°C inlet and/or ambient temperature reaches the maximum operating temperature.

This document is for informational purposes only and should not be considered as a binding description of the products or their performance in all applications. The performance data on this page depicts typical performance under controlled laboratory conditions. AMETEK is not responsible for blowers driven beyond factory specified speed, temperature, pressure, flow or without proper alignment. Actual performance will vary depending on the operating environment and application. AMETEK products are not designed for and should not be used in medical life support applications. AMETEK reserves the right to revise its products without notification. The above characteristics represent standard products. For product designed to meet specific applications, contact AMETEK Technical & Industrial Products Sales department.

DR 6 & CP 6

3.0 / 5.0 HP Regenerative Blower

FEATURES

- Manufactured in the USA - ISO 9001 and NAFTA compliant
- CE compliant - Declaration of Conformity on file
- Maximum flow: 210 SCFM
- Maximum pressure: 110 IWG
- Maximum vacuum: 91.2 IWG
- Standard motor: 5.0 HP, TEFC
- Cast aluminum blower housing, impeller & cover; cast iron flanges (threaded)
- UL & CSA approved motor with permanently sealed ball bearings
- Inlet muffler 52248 1 pc.
- Quiet operation within OSHA standards - 1 muffler included

MOTOR OPTIONS

- International voltage & frequency (Hz)
- Chemical duty, high efficiency, inverter duty or industry-specific designs
- Various horsepower for application-specific needs

BLOWER OPTIONS

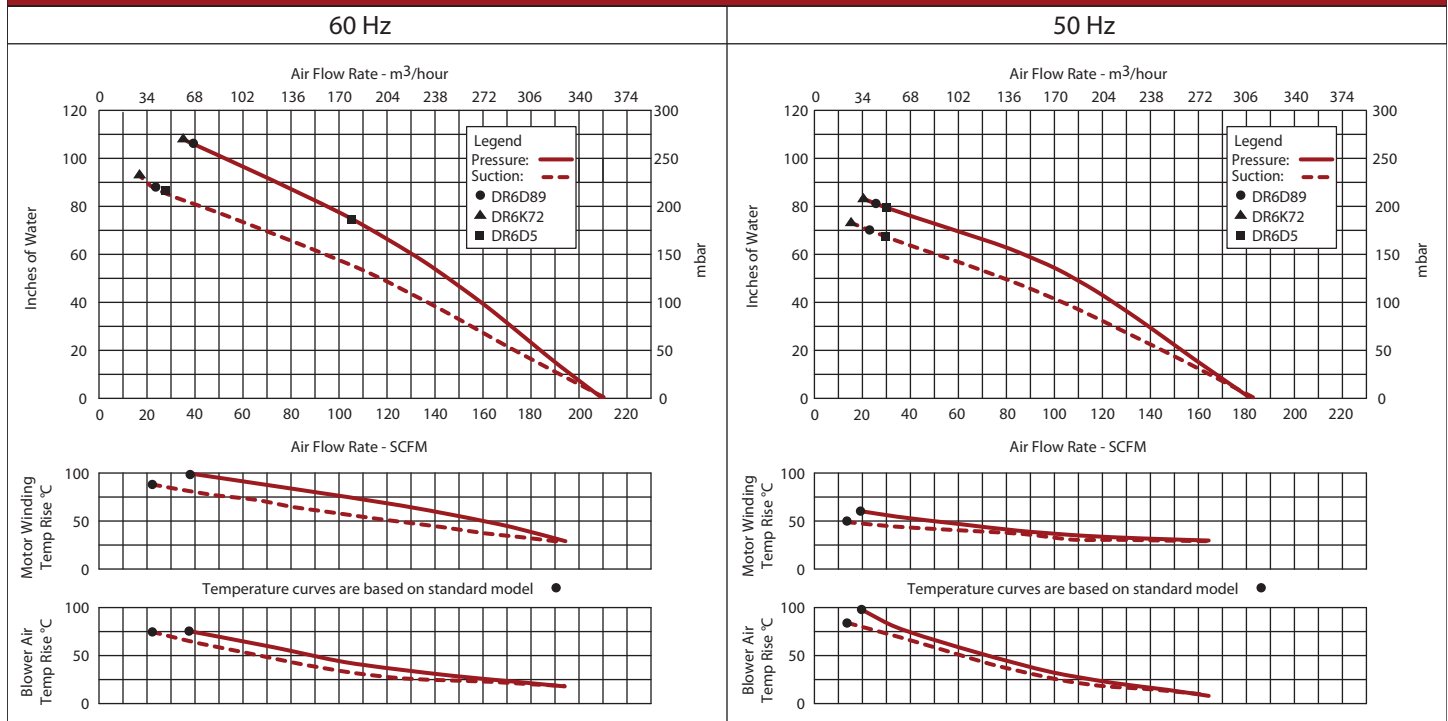
- Corrosion resistant surface treatments & sealing options
- Remote drive (motorless) models
- Slip-on or face flanges for application-specific needs

ACCESSORIES

- Flowmeters reading in SCFM
- Filters & moisture separators
- Pressure gauges, vacuum gauges, & relief valves
- Switches - air flow, pressure, vacuum, or temperature
- External mufflers for additional silencing
- Air knives (used on blow-off applications)
- Variable frequency drive package



Blower Performance at Standard Conditions



This document is for informational purposes only and should not be considered as a binding description of the products or their performance in all applications. The performance data on this page depicts typical performance under controlled laboratory conditions. AMETEK is not responsible for blowers driven beyond factory specified speed, temperature, pressure, flow or without proper alignment. Actual performance will vary depending on the operating environment and application. AMETEK products are not designed for and should not be used in medical life support applications. AMETEK reserves the right to revise its products without notification. The above characteristics represent standard products. For product designed to meet specific applications, contact AMETEK Technical & Industrial Products Sales department.