

Raypak[®]
A Rheem[®] Company

DIGITAL GAS
POOL & SPA
HEATER

Available as Atmospheric,
Low NO_x, and ASME



DIGITAL

GAS POOL & SPA HEATER

"Top 10 Best Pool Heaters"



BEST AWARD

Named Forbes
#1 Pool Heater



Trusted Design | Digital Controls | Flexible Installation



PROUDLY BASED IN THE U.S.A

DIGITAL

GAS POOL & SPA HEATER

Trusted Design

Named #1 Pool Heater by Forbes, the Raypak Digital Gas is a tried and true favorite among pool pros. Its durable design and intuitive controls make it one of the strongest workhorse pool heaters on the market. This pool and spa heater is the perfect solution for environments requiring efficiency, convenience and versatility.



AMAZING FEATURES

Heat Exchanger

Our heat exchangers last longer thanks to our straight tube design. By eliminating bends and helical coils we have reduced unnecessary friction in critical areas.

Both residential and ASME models are available in copper or cupronickel. Bronze ASME headers provide the strength needed to meet commercial code requirements.

Flexible Installation

Whether upgrading an existing system or adding a new pool or spa, the Raypak Digital Gas Pool and Spa Heater offers flexible installation solutions thanks to a brilliant low-profile design.

Self-Adjusting Burner

The self-adjusting burner compensates for gas pressure fluctuations, ensuring that the heater will always burn clean and safe.



Strength & Durability

It is built to last with its corrosion resistant cabinet made of galvanized metal and your choice of a copper or cupronickel fin tube heat exchanger. Designed to withstand even the harshest of weather conditions.



MORE AMAZING FEATURES



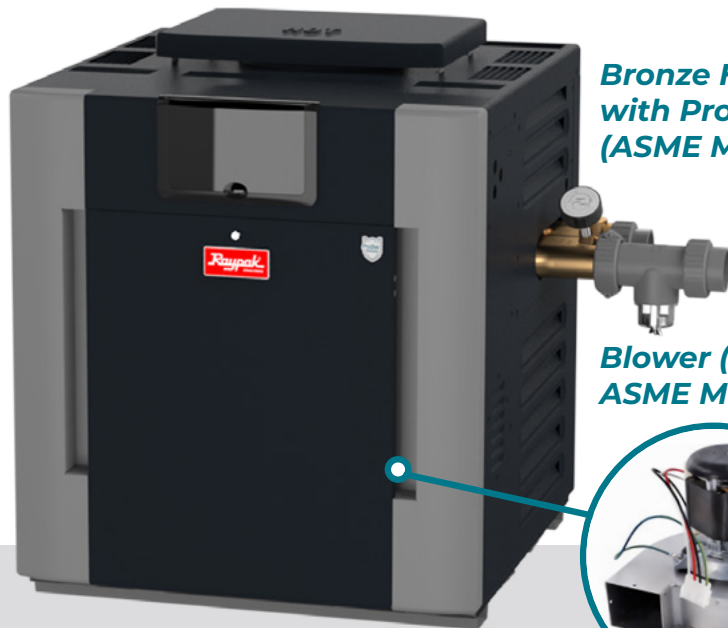
Digital Controls

Equipped with an intelligent control system that can easily be tied into an existing remote system, our heater also features a microprocessor-controlled thermostat for setting the perfect temperature for your pool or spa.

Low NOx Certified

Available on our Digital Low NOx ASME (207A-407A) models, the air fuel mixture is maintained by a gas valve/blower system that allows the heater to always burn clean and safe.

Bonus: Meets additional safety standards and regulations required for Texas¹, California and Utah.



Bronze Header with ProTek Shield (ASME Models Only)

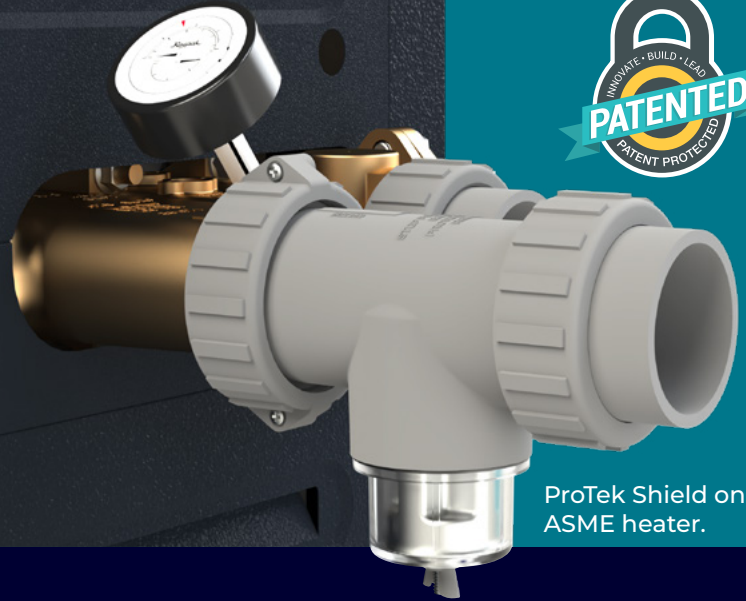
Blower (Low NOx ASME Models Only)



¹ Flow switch option available for ASME Low NOx heaters, Texas Boiler Code compliant.

ProTek Shield

ProTek Shield is a cutting-edge module that protects the heat exchanger and extends the life of your Raypak Digital Gas Pool and Spa Heater.



ProTek Shield on ASME heater.

- Excellent for use in chlorinated and salt water pools
- Engineered to take the brunt of the corrosion that naturally occurs over time
- Compact design
- Easy to replace

ProTek Shield Replacement Kit	Part No.
ProTek Shield Module	017960F
ProTek Shield Bulk Pack (25 PCS)	018847F

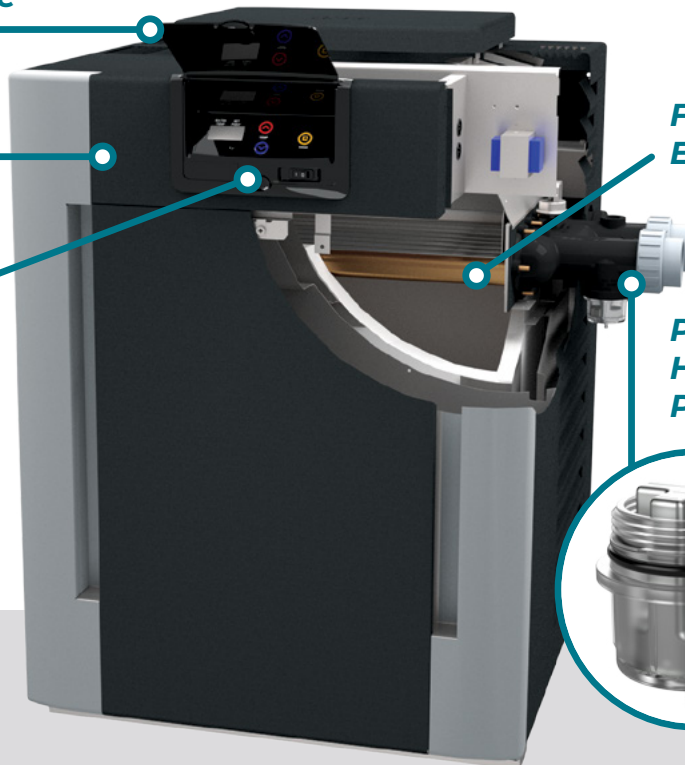
Outdoor Protective Bezel

Durable Indoor/Outdoor Jacket

Digital Control

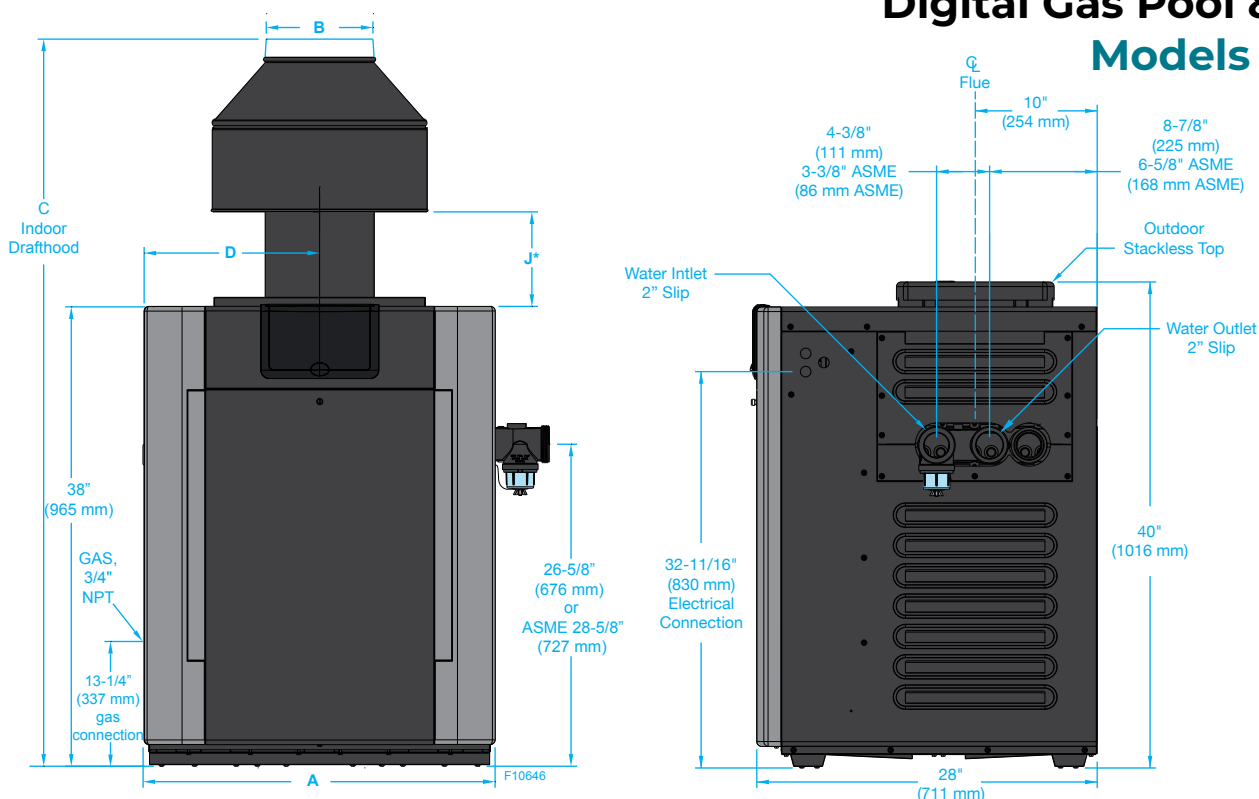
Fin Tube Heat Exchanger

Polymer Header with Protek Shield



Digital Gas Pool & Spa Heater

Models 206A - 406A



SCAN HERE



To view our Residential Pool & Spa Catalog For our full offering of models & part numbers.

Amp Draw

120 VAC, 1Ph, 60Hz 240 VAC, 1Ph, 60Hz

4

2

Model No.	BTUH Input (kwh)	(A) Cabinet Width in.(mm)	(B) Flue Dia. in. (mm)	(C) Indoor Draft hood in. (mm)	(D) in. (mm)	(J)* in. (mm)	Shipping Weights lbs. (kg)	
							w/Stackless Top	Indoor Draft Hood
Residential Models - Copper Heat Exchanger								
P-R206A-E(N/P)-C	199.5 (58.4)	20 (508)	6 (152)	61 ⁵ / ₈ (1565)	10 (254)	11 ³ / ₄ (298)	187 (85)	14 (6.4)
P-R266A-E(N/P)-C	266.0 (77.9)	23 (584)	7 (178)	62 (1575)	11.5 (292)	11 (279)	210 (95)	16 (7.3)
P-R336A-E(N/P)-C	332.5 (97.4)	26 (660)	8 (203)	63 (1600)	13 (330)	10 ⁵ / ₈ (270)	230 (104)	19 (8.6)
P-R406A-E(N/P)-C	399 (116.9)	29 (737)	9 (229)	64 ⁹ / ₁₆ (1640)	14.5 (368)	12 ¹ / ₈ (309)	249 (113)	21 (9.5)
Residential Models - Cupronickel Heat Exchanger								
P-R206A-E(N/P)-X	180.0 (52.7)	20 (508)	6 (152)	61 ⁵ / ₈ (1565)	10 (254)	11 ³ / ₄ (298)	187 (85)	14 (6.4)
P-R266A-E(N/P)-X	240.0 (70.3)	23 (584)	7 (178)	62 (1575)	11.5 (292)	11 (279)	210 (95)	16 (7.3)
P-R336A-E(N/P)-X	300.0 (87.9)	26 (660)	8 (203)	63 (1600)	13 (330)	10 ⁵ / ₈ (270)	230 (104)	19 (8.6)
P-R406A-E(N/P)-X	360.0 (105.5)	29 (737)	9 (229)	64 ⁹ / ₁₆ (1640)	14.5 (368)	12 ¹ / ₈ (309)	249 (113)	21 (9.5)
ASME Models - Available with Copper or Cupronickel Heat Exchanger								
B-R206A-E(N/P)-(C/X)	199.5 (58.4)	20 (508)	6 (152)	61 ⁵ / ₈ (1565)	10.0 (254)	11 ³ / ₄ (298)	210 (95)	14 (6.4)
B-R266A-E(N/P)-(C/X)	266.0 (77.9)	23 (584)	7 (178)	62 (1575)	11.5 (292)	11 (279)	235 (107)	16 (7.3)
B-R336A-E(N/P)-(C/X)	332.5 (97.4)	26 (660)	8 (203)	63 (1600)	13 (330)	10 ⁵ / ₈ (270)	250 (113)	19 (8.6)
B-R406A-E(N/P)-(C/X)	399 (116.9)	29 (737)	9 (229)	64 ⁹ / ₁₆ (1640)	14.5 (368)	12 ¹ / ₈ (309)	273 (124)	21 (9.5)

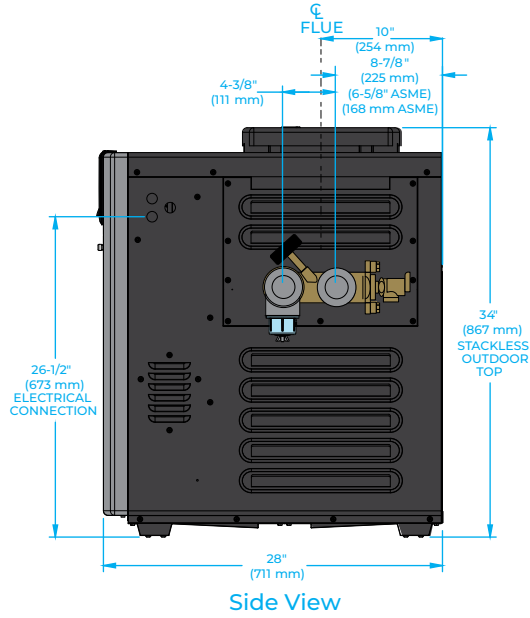
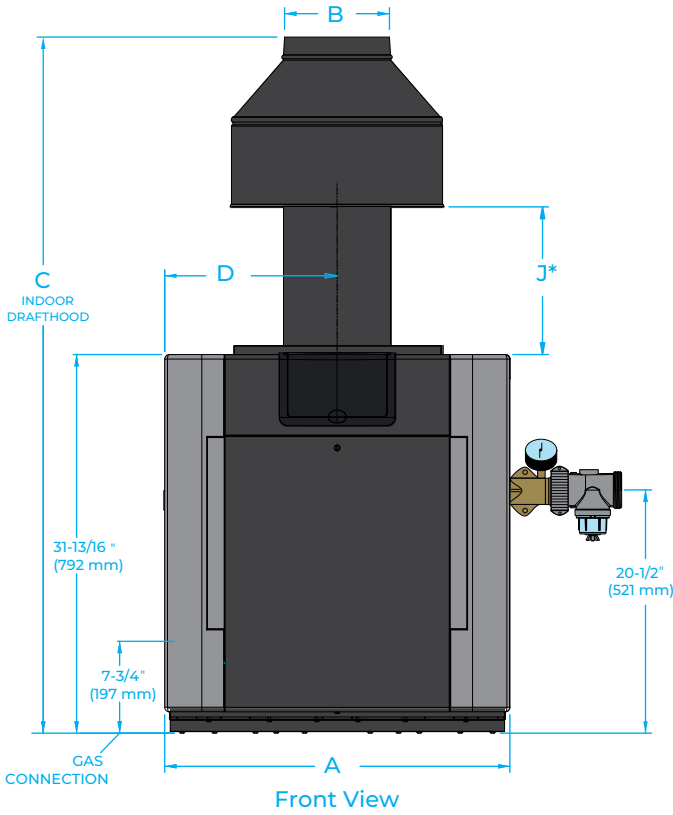
Fin Tube Material - Copper (C) or Cupronickel (X)
Fuel Type - Natural (N) Propane (P)

*Note: For outdoor stack height, use "J" dimension for appropriate size plus 6 inches (152 mm).

Digital Gas Pool & Spa Heater

Low NO_x ASME

Models 207A - 407A



Amp Draw	
120 VAC, 1Ph, 60Hz	240 VAC, 1Ph, 60Hz
6	3

Model No.	BTUH Input (kwh)	(A) Cabinet Width in.(mm)	(B) Flue Dia. in. (mm)	(C) Indoor Draft hood in. (mm)	(D) in. (mm)	(J)* in. (mm)	Shipping Weights lbs. (kg)	
							w/Stackless Top	Indoor Draft Hood
ASME Models - Available with Copper or Cupronickel Heat Exchanger								
B-R207A-EN-(C/X)	199.5 (58.47)	20 (508)	6 (152)	55 ⁵ / ₈ (1413)	10 (254)	11 ³ / ₄ (298)	200 (91)	12 (5)
B-R267A-EN-(C/X)	266 (77.96)	23 (584)	7 (178)	56 (1422)	11.5 (292)	11 (279)	210 (95)	15 (7)
B-R337A-EN-(C/X)	332.5 (97.45)	26 (660)	8 (203)	57 (1448)	13 (330)	10 ⁵ / ₈ (270)	255 (116)	17 (8)
B-R407A-EN-(C/X)	399 (116.94)	29 (737)	9 (229)	58 ¹ / ₂ (1486)	14.5 (368)	12 ¹ / ₈ (308)	269 (122)	20 (9)

Fin Tube Material - Copper (C) or Cupronickel (X)
Fuel Type - Natural (N)

Note:
 - Low NO_x models are natural gas only
 - Power Consumption on above models: 120VAC - 6 amps 240VAC - 3 amps
 *For outdoor stack height, use "J" dimension for appropriate size plus 6 inches (152 mm).



raypak.com/pool

2151 Eastman Avenue | Oxnard, CA 93030 | 805-278-5300

Litho in U.S.A. ©2024 Raypak, Inc. | RP-P-601-1 Rev A | Effective 4-8-24 | Replaces 11-1-20

Raypak Tech Corner

Looking for quick answers to your Raypak troubleshooting questions? We've got you covered! Skip the wait times on the phone and check out our self-serve resource center, Tech Corner.

Our comprehensive database is designed to help you diagnose and solve issues you may encounter with your Raypak equipment quickly and easily.

raypak.com/support/tech-corner/

