

# #104-PS SPIGOT PORTABLE SPA ZINC ANODE

## INSTALLATION INSTRUCTIONS

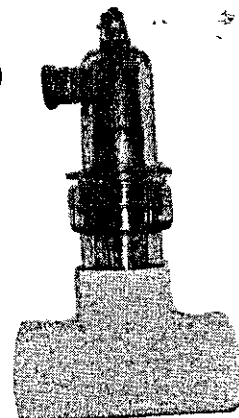
The 104-PS Zinc Sacrificial Anode is designed to protect all metal parts (heater, pump, seal and shaft) against corrosion (electrolysis) in portable spas using a salt chlorine generator.

①

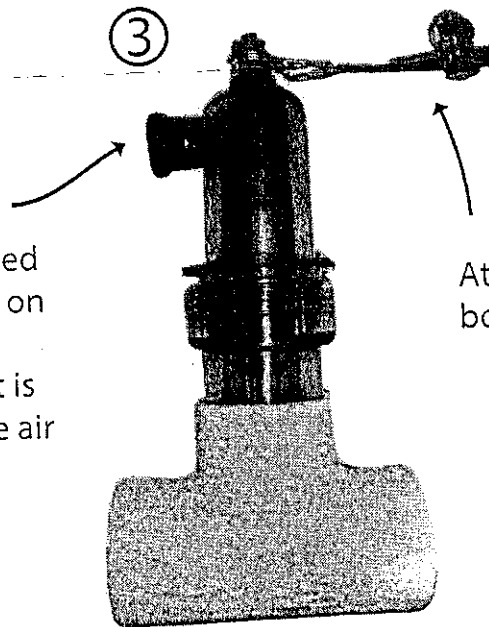


The #104-PS SPIGOT allows the anode chamber to be glued into a 1" tee.  
Note: A 1 1/2" or 2" tee can be reduced to accept the 1" Spigot.

②



③



Turn the pump on and bleed the air out using the valve on the side of the chamber.  
If installed upside down, it is not necessary to bleed the air out.

Attach the bonding wire using the split bolt as shown.

Note: The anode can be installed horizontally, vertically, or upside down.



**POOL TOOL  
COMPANY®**

pooltool.com

Phone:  
805-644-2333

Address:  
4848 Colt st. #10  
Ventura CA 93003

**NOTE:**  
The zinc anode will gradually sacrifice itself (erode). The anode should be replaced every two years.