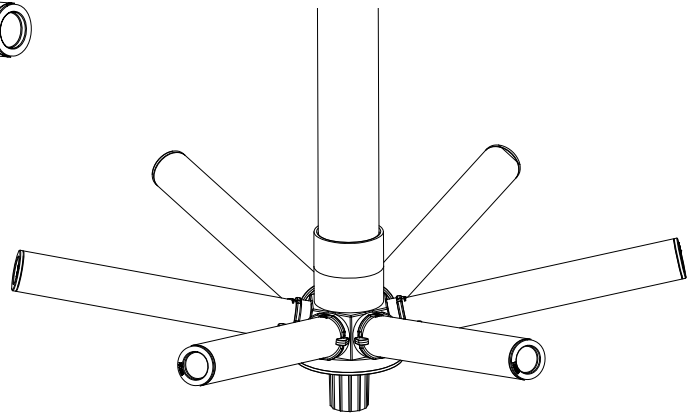
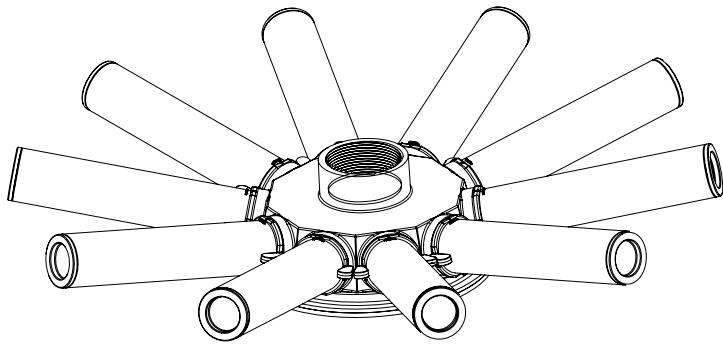




CLEARPRO TECHNOLOGY® FILTER LATERALS EXTENSION KITS

FOR FILTER MODELS: TR100, TR100C, TR100C3, TR140, TR140C, TR140C3 AND TA100



INSTALLATION AND USER'S GUIDE

IMPORTANT SAFETY INSTRUCTIONS
READ AND FOLLOW ALL INSTRUCTIONS
SAVE THESE INSTRUCTIONS

CUSTOMER SERVICE / TECHNICAL SUPPORT

If you have questions about ordering Pentair Aquatic Systems replacement parts, and pool products, please contact:

Customer Service and Technical Support, USA

(8 A.M. to 5 P.M. — Eastern/Pacific Times)

Phone: (800) 831-7133

Fax: (800) 284-4151

Web site

Visit www.pentairpool.com or www.staritepool.com

Sanford, North Carolina (8 A.M. to 5 P.M. ET)

Phone: (919) 566-8000

Fax: (919) 566-8920

Moorpark, California (8 A.M. to 5 P.M. PT)

Phone: (805) 553-5000 (Ext. 5591)

Fax: (805) 553-5515

TABLE OF CONTENTS

Important Warning and Safety Instructions	ii	Start Up Instructions	5
Overview	1	Backwashing the Filter Before Start Up	5
ClearPro Technology Filter Lateral Extension Kits	1	Initial Start Up	6
General Information	1	Filter Care	6
Filter Operation Data Table	1	Filter Maintenance	7
Kit Installation	2	Cleaning Frequency	7
Installation for Triton II Sand Filters	2	Chemical Cleaning Procedure	7
Installation for Tagelus Sand Filters	3		
Filling the Filter with Sand	4		
Before Starting the Filter	4		

IMPORTANT WARNING AND SAFETY INSTRUCTIONS



IMPORTANT NOTICE

This guide provides installation and operation instructions for the ClearPro Technology® Filter Lateral Extension Kits. Consult Pentair with any questions regarding this equipment.

Attention Installer: This guide contains important information about the installation, operation and safe use of this product. This information should be given to the owner and/or operator of this equipment after installation or left on or near the filter.

Attention User: This manual contains important information that will help you in operating and maintaining this product. Please retain it for future reference.

READ AND FOLLOW ALL INSTRUCTIONS SAVE THESE INSTRUCTIONS



This is the safety alert symbol. When you see this symbol on your system or in this manual, look for one of the following signal words and be alert to the potential for personal injury.



Warns about hazards that can cause death, serious personal injury, or major property damage if ignored.



Warns about hazards that may cause death, serious personal injury, or major property damage if ignored.




Warns about hazards that may or can cause minor personal injury or property damage if ignored.

NOTE indicates special instructions not related to hazards.

Carefully read and follow all safety instructions in this manual and on equipment. Keep safety labels in good condition; replace if missing or damaged.

Consumer Information and Safety

This product is designed and manufactured to provide many years of safe and reliable service when installed, operated and maintained according to the information in this manual and the installation codes referred to in later sections. Throughout the manual, safety warnings and cautions are identified by the “” symbol. Be sure to read and comply with all of the warnings and cautions.



Before installing this product, read and follow all warning notices and instructions which are included.

Failure to follow safety warnings and instructions can result in severe injury, death, or property damage. Call (800) 831-7133 for additional free copies of these instructions.



Do not operate the filter until you have read and understand clearly all the operating instructions and warning messages for all equipment that is a part of the pool circulating system. The following instructions are intended as a guide for initially operating the filter in a general pool installation, however each installation may have unique conditions where the starting procedure could be different. Failure to follow all operating instructions and warning messages can result in severe injury, death, or property damage.



FILTER OPERATES UNDER HIGH PRESSURE.



When any part of the circulating system, (e.g., closure, pump, filter, valve(s), etc.), is serviced, air can enter the system and become pressurized. Pressurized air can cause the top closure to separate which can result in severe injury, death, or property damage.

To avoid this potential hazard, follow these instructions:

- If you are not familiar with your pool filtering system and/or heater:
 - Do NOT** attempt to adjust or service without consulting your dealer, or a qualified pool technician.
 - Read the entire Installation & User's Guide before attempting to use, service or adjust the pool filtering system or heater.
- Before repositioning valve(s) and before beginning the assembly, disassembly, or any other service of the circulating system: (A) Turn the pump **OFF** and **shut OFF** any automatic controls to ensure the system is NOT inadvertently started during the servicing; (B) open the manual air relief valve; (C) stand clear of the filter; (D) wait until all pressure is relieved.
- Whenever installing the filter closure **FOLLOW THE FILTER CLOSURE WARNINGS EXACTLY.**
- Once service on the circulating system is complete **FOLLOW SYSTEM START-UP INSTRUCTIONS EXACTLY.**
- Maintain circulation system properly. Replace worn or damaged parts immediately, (e.g., closure, pressure gauge, valve(s), o-rings, etc).
- Be sure that the filter is properly mounted and positioned according to instructions provided.



Do not permit children to use or operate this filter.



RISK OF ELECTRICAL SHOCK OR ELECTROCUTION.



This filter must be installed by a licensed or certified electrician or a qualified pool serviceman in accordance with the National Electrical Code and all applicable local codes and ordinances. Improper installation could result in death or serious injury to pool users, installers, or others and may also cause damage to property.

Always disconnect power to the pool circulating system at the circuit breaker before servicing the filter. Ensure that the disconnected circuit is locked out or properly tagged so that it cannot be switched on while you are working on the filter. Failure to do so could result in serious injury or death to serviceman, pool users or others due to electric shock.



This filter is intended for use in swimming pool applications. Most states and local codes regulate the construction, installation, and operation of public pools and spas, and the construction of residential pools and spas. It is important to comply with these codes, many of which directly regulate the installation and use of this product. Consult your local building and health codes for more information.

IMPORTANT WARNING AND SAFETY INSTRUCTIONS

⚠ WARNING



Never exceed the maximum operating pressure of the system components. Exceeding these limits could result in a component failing under pressure. This instantaneous release of energy can cause the closure to separate and could cause severe personal injury or death if they were to strike a person.

⚠ WARNING



Due to the potential risk that can be involved it is recommended that the pressure test be kept to the minimum time required by the local code. Do not allow people to work around the system when the circulation system is under pressure test. Post appropriate warning signs and establish a barrier

around the pressurized equipment. If the equipment is located in an equipment room, lock the door and post a warning sign.

Never attempt to adjust any closures or lids or attempt to remove or tighten bolts when the system is pressurized. These actions can cause the closure to separate and could cause severe personal injury or death if they were to strike a person.

⚠ WARNING

Failure to operate your filter system or inadequate filtration can cause poor water clarity obstructing visibility in your pool and can allow diving into or on top of obscured objects which can cause serious personal injury or drowning.

⚠ WARNING

Always visually inspect filter components during normal servicing to ensure structural safety. Replace any item which is cracked, deformed or otherwise visually defective. Defective filter components can allow the filter top or attachments to separate and could cause severe bodily injury or property damage.

⚠ CAUTION

Operating at excessive vacuum levels can cause the tank to crack and could cause property damage.

For Installation of Electrical Controls at Equipment Pad (ON/OFF Switches, Timers and Automation Load Center)

⚠ CAUTION



Install all electrical controls at equipment pad, such as on/off switches, timers, and control systems, etc. to allow the operation (startup, shut-down, or servicing) of any pump or filter so the user does not place any portion of his/her body over or near the pump strainer lid, filter lid or valve closures. This installation should allow the user enough space to stand clear of the filter and pump during system start-up, shut down or servicing of the system filter.

⚠ DANGER



HAZARDOUS PRESSURE: STAND CLEAR OF PUMP AND FILTER DURING START UP

Circulation systems operate under high pressure. When any part of the circulating system (i.e. locking ring, pump, filter, valves, etc.) is serviced, air can enter the system and become pressurized.

Pressurized air can cause the pump housing cover filter lid and valves to violently separate which can result in severe personal injury or death. Filter tank lid and strainer cover must be properly secured to prevent violent separation. Stand clear of all circulation system equipment when turning on or starting up pump.

Before servicing equipment, make note of the filter pressure. Be sure that all controls are set to ensure the system cannot inadvertently start during service. Turn off all power to the pump. **IMPORTANT: Place filter manual air relief valve in the open position and wait for all pressure in the system to be relieved.**

Before starting the system, fully open the manual air relief valve and place all system valves in the "open" position to allow water to flow freely from the tank and back to the tank. Stand clear of all equipment and start the pump.

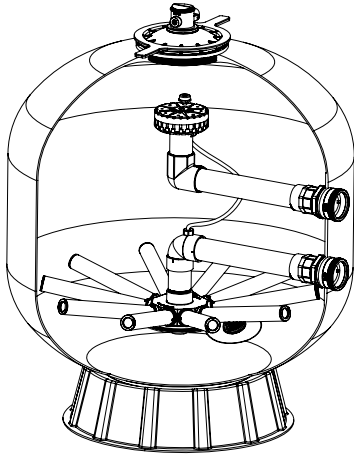
IMPORTANT: Do not close filter manual air relief valve until all pressure has been discharged from the valve and a steady stream of water appears. Observe filter pressure gauge and be sure it is not higher than the pre-service condition.

Warnings and safety instructions for Pentair Aquatic Systems this and other related products are available at:
<http://www.pentairpool.com/pool-owner/safety-warnings/> or call (800) 831-7133 for additional free copies of these instructions.
 Please refer to <http://www.pentairpool.com/pool-owner/safetywarnings/> for warning and safety instructions related to the this product.

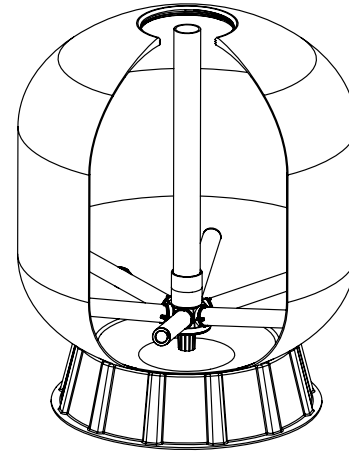
SAVE THESE INSTRUCTIONS

OVERVIEW

ClearPro Technology® Filter Lateral Extension Kits



For Triton® II Sand Filter Models:
TR100, TR100C, TR100C3, TR140, TR140C, TR140C3



For Tagelus® Sand Filter Model:
TA100

General Filter Information

⚠ WARNING Filters operate under pressure and if assembled improperly or operated with air in the water circulation system, the lid can separate and result in an accident causing property damage or serious bodily injury. A warning label has been affixed to the top of the filter and should not be removed. Keep safety labels in good condition and replace if missing or illegible.

Clear water is the result of proper filtration as well as proper water chemistry. Pool chemistry is a specialized area and you should consult your local pool service specialist for specific details. In general, proper pool sanitation requires a free chlorine level of 1 to 3 PPM and a pH range of 7.2 to 7.6.

Note: Please note that a filter removes suspended matter and does not sanitize the pool. The pool water must be sanitized and the water must be chemically balanced for sparkling clear water.

Your filtration system should be designed to meet your local health codes. As a minimum, you must be sure that your system will turn over the total volume of water in your pool at least twice in a twenty-four hour period.

FILTER MODEL	FILTER AREA (SQ. FT.)	FLOW RATE* (GPM) @20 GPM/FT ²	TURNOVER CAPACITY (GALLONS) (BASED ON 20 GPM / SQ. FT.)*			
			4 TURNS PER DAY	3 TURNS PER DAY	2.4 TURNS PER DAY	2 TURNS PER DAY
TR100	4.91	74	26,640	35,520	44,400	53,280
TR140	7.06	106	38,160	50,880	63,600	76,320
TA100	4.9	100	36,000	48,000	60,000	72,000
TR100C	4.91	98	35,280	47,040	58,800	70,560
TR100C3	4.91	98	35,280	47,040	58,800	70,560
TR140C	7.06	141	50,760	67,680	84,600	101,520
TR140C3	7.06	141	50,760	67,680	84,600	101,520

* TR100 and TR140 are based on 15 GPM/SQ. FT.

Filter Operation Data

KIT INSTALLATION



FILTER OPERATES UNDER HIGH PRESSURE.



When any part of the circulating system, (e.g., closure, pump, filter, valve(s), etc.), is serviced, air can enter the system and become pressurized. Pressurized air can cause the top closure to separate which can result in severe injury, death, or property damage.

Filters should never be tested or subjected to air or gas under pressure. All gases are compressible and under pressure create a danger. Severe bodily injury or property damage could occur if the filter is subjected to air or gas pressure.

Installing the ClearPro Technology® Filter Laterals Extension Kits

Only a qualified service professional should install the ClearPro Technology filter extension kits.

Filters are designed and intended for use to filter water. Refer to “Important Warning and Safety Instructions” on pages ii - iii for additional installation and safety information.

IMPORTANT: Before servicing any part of the filter, be sure the circulation system is OFF and pressure has been relieved from the filter. *If there is sand already in the filter, open the air relief valve and drain the water before removing closure or sand.*

Triton® II Sand Filters

1. Use the closure wrench included with the filter, and remove the top closure.
2. Remove sand (if there is sand in the filter).
3. Pivot diffuser away from the center of the tank by rotating the diffuser assembly counter clockwise.

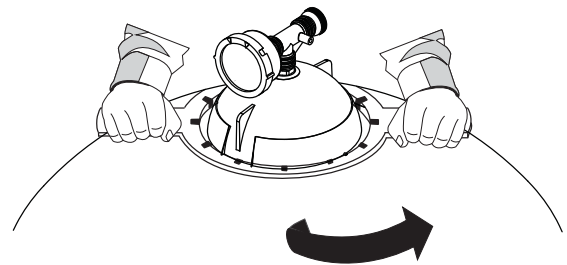
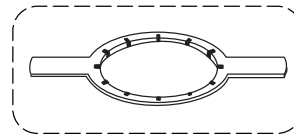
Note: Models TR100C, TR100C-3 and TR140C, TR140C-3 have multi-diffuser assembly and do not need to be removed to install new lateral kits.

4. Reach through the opening in the filter and remove the old laterals. Turn counter clockwise to remove.

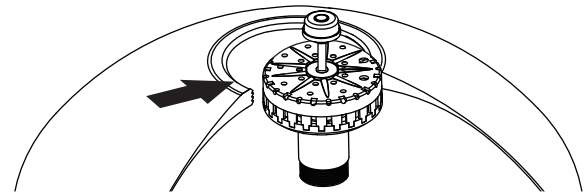
Note: Leave one of the laterals connected. Use this to help loosen and unscrew the old hub.

5. Remove old hub from the filter.
6. Attach the new hub to the lower piping assembly.
7. Assemble the ten (10) new laterals into the hub. Insert laterals with tabs vertical, then 1/4 turn to align tabs horizontally to fit.

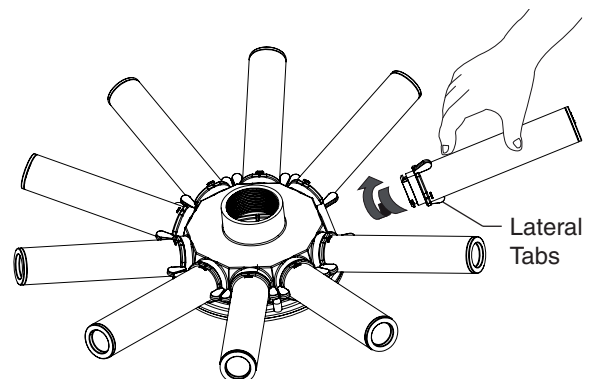
8. Put sand back into the filter.
Follow the sand specifications on page 4.
9. Check to make sure the tops on the diffusers are parallel to the top of the sand bed.
10. Reattach the closure to filter.
11. After sand is ready, proceed to “Start Up Instructions” on page 5.



Remove filter closure with wrench



Pivot to move diffuser

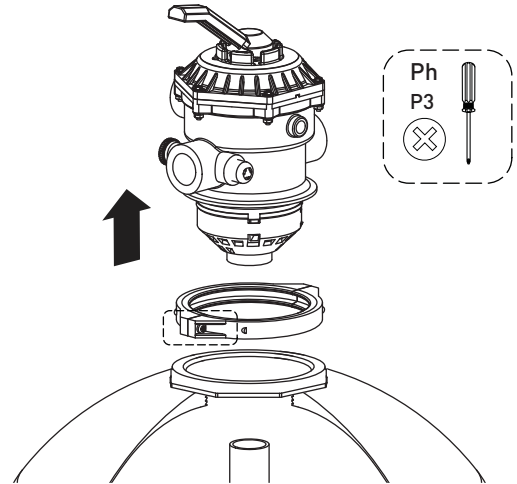


Attach new laterals - Align tabs horizontally

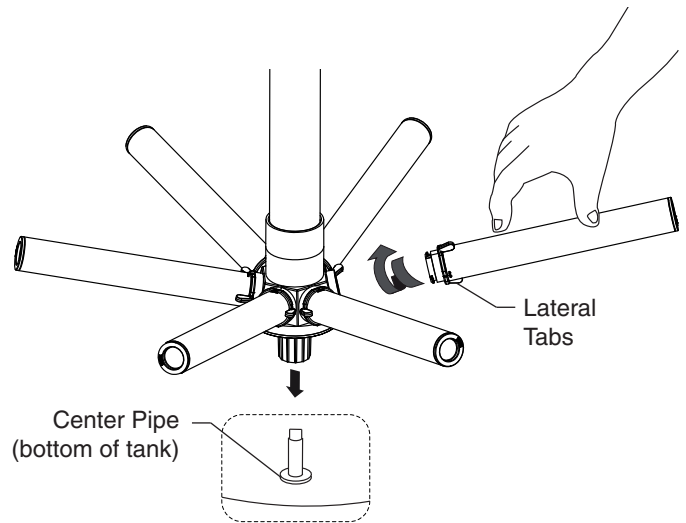
Tagelus® Sand Filters

IMPORTANT: Before servicing any part of the filter, be sure the circulation system is OFF and pressure has been relieved from the filter. *If there is sand already in the filter, open the air relief valve and drain the water before removing closure or sand.*

1. Unscrew the clamp with a Phillips head P3 screwdriver.
2. Remove the clamp and valve.
3. Remove sand (if there is sand in the filter).
4. Lift the stand pipe up to the filter opening to remove the old laterals from the hub.
5. Then remove the standpipe and hub from the filter.
6. Insert new standpipe and hub through the filter opening.
7. After inserting the new stand pipe and hub into the filter opening, hold the stand pipe so that the hub can be reached easily to begin inserting the new laterals.
8. Assemble the six (6) new laterals into the hub. Insert laterals with tabs vertical, then 1/4 turn to align tabs horizontally to fit.
9. After new laterals are attached, insert complete assembly (laterals, hub, and stand pipe) and fit the hub over the center pipe in the bottom of the filter.
10. Put sand back into the filter.
Follow the sand specifications on page 4.
11. Reattach the clamp and the valve to the filter.
12. After sand is ready, proceed to “*Start Up Instructions*” on page 5.



Remove filter clamp with wrench and lift valve off of the filter.



Attach new laterals - Align tabs horizontally. Be sure hub fits securely over center pipe at the bottom of the filter tank.

WARNING

Failure to position the Automatic Air Vent inside of the Closure will allow excessive trapped air to accumulate in the filter. Trapped air and the closure not properly closed can cause the closure to separate and could cause severe bodily injury and/or property damage.

Filling the Filter with Sand

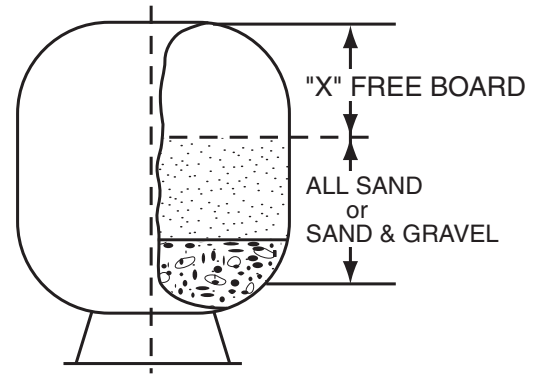
1. Be certain the proper sand is used as described in the table to the right.
2. Before pouring the sand into the filter, look inside and check the lower under-drain for loose laterals.
3. (For TA100: Install sand guide in the top of filter first. Discard after filling with sand.) Fill the tank about half full of water. Slowly pour pea gravel first (if used) and then the sand into the top of the filter so that it does not damage the laterals.
4. Fill the filter to the proper level to maintain free-board, as shown in the table. Pivot the diffuser assembly back to its vertical position if it was moved.

MODEL	FREE BOARD "X"	ALL SAND* (POUNDS)	FILTER MEDIA**	
			PEA GRAVEL***	SAND
TR100	12 1/2"	600	150	450
TR140	15 1/2"	925	275	650
TA100	11 1/4"	600	150	450
TR100C	12 1/2"	600	150	450
TR100C-3	12 1/2"	600	150	450
TR140C	15 1/2"	925	275	650
TR140C-3	15 1/2"	925	275	650

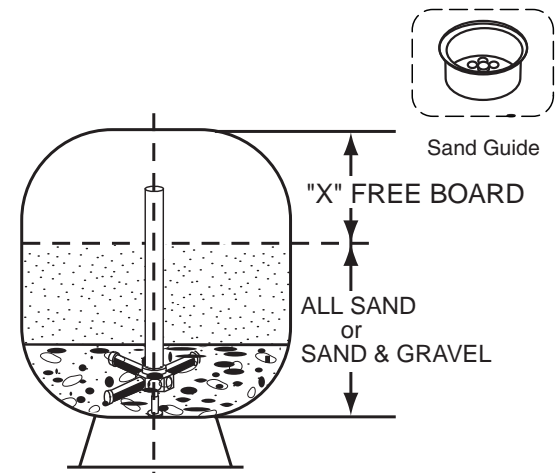
* Sand to be No. 20 standard silica (uniformity coefficient not greater than 1.75) .018-.020 in diameter particle size.

** Media required to meet NSF requirements

*** Pea Gravel to be 1/4" to 1/8" diameter



Triton® II Sand Filter Guide



Tagelus® Sand Filter Guide

Note: The free board distance is the most important variable and should be maintained. Sand density will vary and therefore sand amount is given as a reference.

Before Starting the Filter

Check to be sure closures are secured correctly.

1. Pivot the diffuser assembly back to its vertical position if it was moved. Be certain the automatic air vent is protruding into the top of the closure (see image to on the next page).
2. Be sure that the automatic air vent is in the center of the filter closure. Wash away all sand around the threaded opening at the top of the tank.
3. Assemble piping and pipe fittings to pump and valve. All piping must conform to local and state plumbing and sanitary needs.
4. Use sealant compounds on all male connections of pipe and fittings. Use only pipe compounds suited for plastic pipe. Support pipe to prevent strains on filter, pump, or valve.

5. The oval closure used on the TR100C-3 and TR140C-3 is designed to provide a vacuum relief mechanism that protects the tank from vacuum conditions. The closure will allow air to enter the tank if the tank is higher that 8 ft. above the water level. (See further instructions in warnings on the next page.)

In these cases, when the filter restarts after shut down, you may observe air being returned to the pool in the return fittings. This is not unusual, it is the automatic air relief in the filter removing the air in the filter.

START UP INSTRUCTIONS

⚠ WARNING

For Threaded Closures



Use care when installing closure. The closure should turn freely in the filter, if resistance to closure insertion is felt, then slowly remove the closure by turning counter-clockwise. The starting thread of the tank and closure must engage properly in order to secure the closure. Do not cross-thread closure. Failure to install the closure properly can cause the closure to separate and could cause severe bodily injury and/or property damage.

⚠ WARNING

For Oval Closures



Use care when installing closure. The closure should be inserted into the tank by placing the small diameter of the oval closure into the larger diameter of the tank opening. Insert the side of the closure that does not have the pressure gauge and air bleeder first. The closure will need to be inserted at a 30° angle. Once the closure is inside the tank, it can be rotated 90° and lifted up to seal the tank. The aluminum bridge with load spring can then be placed over the closure bolt and the hand knob tightened to load the closure properly. The knob should be tightened by hand only. **DO NOT USE A WRENCH TO TIGHTEN THE KNOB.** You could damage the tank or closure and cause a failure by using a wrench. Failure to install the closure properly can cause the closure to separate and could cause severe bodily injury or property damage. **NEVER ATTEMPT TO TIGHTEN OR LOOSEN THE CLOSURE WITH THE PUMP RUNNING.**



Failure to follow this instruction can result in the closure blowing off and causing severe bodily injury or property damage.

⚠ WARNING

Never exceed the maximum operating pressure of the system components. Exceeding these limits could result in a component failing under pressure. This instantaneous release of energy can cause the closure to separate and could cause severe personal injury or death if they were to strike a person. Air entering the filter and the tank closure not installed properly can cause the closure to separate and could cause severe bodily injury and/or property damage.

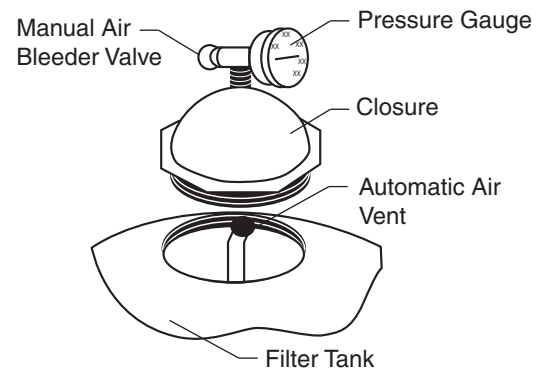
Backwashing the Filter Before Start Up

After installing the ClearPro Technology® Filter Lateral Extension Kits, be sure to backwash your filter **before** starting your filter.

1. Stop the pump.
2. Be sure the suction and backwash lines are open so that water is free to come from the pool and flow out the backwash line. Set valve to BACKWASH.
 - Valve positions:
 - Multiport/top mount valve: BACKWASH position.
 - Two position slide valve: push handle down to BACKWASH, engage lock by twisting the handle.
3. **Stand clear of the filter** and start pump.
4. Backwash filter for approximately 3 to 5 minutes or until backwash water is clean.
5. Stop the pump and set valve to RINSE.
 - Valve positions:
 - Multiport/top mount valve: RINSE position.
 - Two position slide valve: skip to step 8.
6. **Stand clear of the filter** and start pump.
7. Rinse filter for approximately 30 seconds.
8. Stop the pump and set valve to FILTER.
 - Multiport/top mount valve: FILTER position.
 - Two position slide valve: lift handle to FILTER position, engage lock by twisting handle.
9. Be sure that pool return line is open so that water

may freely flow from the pool back to the pool.

10. Open manual air bleeder. Stand clear of filter and start pump.
11. Close manual air bleeder of the closure when all the air is removed and a steady stream of water emerges from the bleeder.
12. The filter has now started its filtering cycle. You should ensure that water is returning to the pool and take note of the filter pressure.
13. The filter pressure, in the above step, should not exceed the pressure originally observed on the filter when it was initially started. If after backwashing, the pressure is 4 to 6 PSI above the start condition, it will be necessary to chemically clean the sand bed.



Pressure Gauge and Closure Assembly (TR Models)

Initial Start Up

1. On a new pool, clean the pool before filling the pool with water. Excessive dirt and large particles can cause damage to the pump and filter.
2. Be sure the backwash line is open so that water is free to come from the pool and flow out the backwash line. Set the valve position to BACKWASH.

Valve positions:

- Multiport/top mount valve: BACKWASH position.
 - Two position slide valve: push handle down to BACKWASH, engage lock by twisting the handle.
3. Check pump strainer pot to be sure it is full of water.
 4. Check closure and/or valve clamp on the filter is secure and tight.
 5. Open the manual air bleeder on the filter closure. Stand clear of the filter and start the pump allowing it to prime.
 6. Close the air bleeder on the closure when all the air is removed from the filter and a steady stream of water emerges.
- Note:** Pool filter sand is typically pre-washed and should not require extensive backwashing. However, the shipping process may cause excessive abrasion which could require an extended backwash cycle at initial start-up; continue to backwash until the backwash water is as clear as the pool water.
7. Stop the pump. Set the valve to FILTER.

Valve positions:

- Multiport/ top mount valve: FILTER position.
 - Two position slide valve: lift handle to FILTER position, engage lock by twisting the handle.
8. Be sure all suction and pool return lines are open so that water is free to come from the pool and return to the pool.
 9. Open the manual air bleeder on the filter closure. Stand clear of the filter and start the pump.
 10. Close the air bleeder on the filter closure when all the air is removed from the filter and a steady stream of water emerges.
 11. The filter has now started its filtering cycle. You should ensure that water is returning to the pool and take note of the operating pressure when the filter is clean.

Filter Care

The filter is a very important part of the pool equipment and installation. Proper care and maintenance will add many years of service and enjoyment to the pool.

Follow these suggestions for trouble-free operation:

1. To clean the exterior of the filter of dust and dirt, wash with a mild detergent and water then hose off. Do not use solvents.
2. If internal maintenance is required, sand may be removed by removing the sand drain from the bottom of the filter and flushing with a garden hose. The Sand Vacuum (P/N 542090) by Pentair Aquatic Systems may also be used.
3. If after a number of years, the filter tank appears foggy in color or rough in texture, the tank surface can be painted. We recommend the use of a quick dry spray enamel. Do NOT paint the valve.
4. Filter Closures:
 - TR Models: This filter closure was manufactured with high quality corrosion resistant materials. This part should be carefully inspected whenever servicing your filter. If excessive leakage is noted coming from the closure/tank interface, the closure and o-ring should be carefully inspected and replaced if any signs of deterioration exist.
 - TA 100 Model: The valve clamp was manufactured with high quality corrosion resistant materials. The manufacturing process could allow sharp edges to be present on the parts. When working around the clamp, use caution to prevent potential injury to fingers or hands from contact with sharp edges.
5. Your filter is a pressure vessel and should never be serviced while under pressure. Always relieve tank pressure and open air bleeder on the filter closure before attempting to service your filter.
6. When restarting your filter, always open the manual air bleeder on the filter closure and stand clear of the filter.



CAUTION To prevent equipment damage and possible injury, **always turn the pump off before** changing the valve position.

FILTER MAINTENANCE

WARNING

Always visually inspect filter components during normal servicing to ensure structural safety. Replace any item which is cracked, deformed or otherwise visually worn or damaged. Damaged filter components can allow the filter top or attachments to separate and could cause severe bodily injury or property damage.

Cleaning Frequency

1. The filter on a new pool should be backwashed, and cleaned after approximately 48 hours of operation to clean out plaster dust and/or construction debris.
2. There are three different ways to identify when the filter needs backwashing.
 - 1) For pool systems with a flow meter, backwash when the flow decreases 30% from the original (clean filter) flow. This is the most accurate indicator.
For example, if the original flow was 60 GPM, backwash the filter when the flow is reduced by about 20 GPM (or 30%) to 40 GPM.
 - 2) Observe the amount of water flowing from the flow directionals located in the wall of the pool. Backwash the filter once it is detected that the flow has been reduced by about 30%. This way is more subjective and a less accurate indicator.
 - The most commonly used but less accurate indicator is to backwash when the filter gauge reading increases 10 PSI over the initial (clean filter) reading.
3. It is important not to backwash the filter solely on a timed basis such as every three days. It is also important to note that backwashing too frequently actually causes poor filtration. Factors like weather conditions, heavy rains, dust or pollen, and water temperature all affect the frequency of backwash. As you use your pool, you will become aware of these influences.
4. If at any time the starting pressure after backwashing the filter indicates 4 to 6 PSI higher than normal starting pressure, it is time to perform a chemical cleaning procedure.

Chemical Cleaning Procedure

1. It is recommended that an approved cleaner be used. Please contact your local pool chemical supplier or retail store for the proper cleaner.
These cleaners will remove oils, scale and rust from the sand bed in one cleaning operation.
2. Mix a solution following the manufacturers instructions on the label.
3. Backwash the filter as outlined on page 5.
4. If the filter is below pool level, shut off the pump and close appropriate valving to prevent draining the pool.
5. Shut off pump, open filter drain and let filter drain. Place valve in backwash position.
6. After filter has drained, close filter drain and remove the pump strainer pot lid.
7. Be sure that the backwash lines are open.
8. Turn the pump on and slowly pour the cleaning solution into the pump strainer with the pump running.
9. Continue adding solution until the sand bed is saturated with cleaning solution. Replace lid on pump.
10. Shut off the pump and leave filter in backwash position. Allow filter to stand overnight (12 hours).
11. Replace the pump lid and follow backwash procedures on page 5.
12. Do not allow the cleaning solution to get into the pool.

For complete information on filter cleaning, winterizing, and/or troubleshooting, please see the installation and user's guide included with your filter.

(Triton® II Sand Filter, P/N 154901 and Tagelus® Sand Filter, P/N 155028.)



WATER SOLUTIONS

1620 HAWKINS AVE., SANFORD, NC 27330 • (919) 566-8000
10951 WEST LOS ANGELES AVE., MOORPARK, CA 93021 • (805) 553-5000
WWW.PENTAIRPOOL.COM

All Pentair trademarks and logos are owned by Pentair, Inc. Pentair Aquatic Systems™, ClearPro®, Tagelus® and Triton® are trademarks and/or registered trademarks of Pentair Water Pool and Spa, Inc. and/or its affiliated companies in the United States and/or other countries. Unless expressly noted, names and brands of third parties that may be used in this document are not used to indicate an affiliation or endorsement between the owners of these names and brands and Pentair Water Pool and Spa, Inc. Those names and brands may be the trademarks or registered trademarks of those third parties. Because we are continuously improving our products and services, Pentair reserves the right to change specifications without prior notice. Pentair is an equal opportunity employer.

© 2012 Pentair Aquatic Systems. All rights reserved. This document is subject to change without notice.



P/N 159059 REV. A 9/4/12