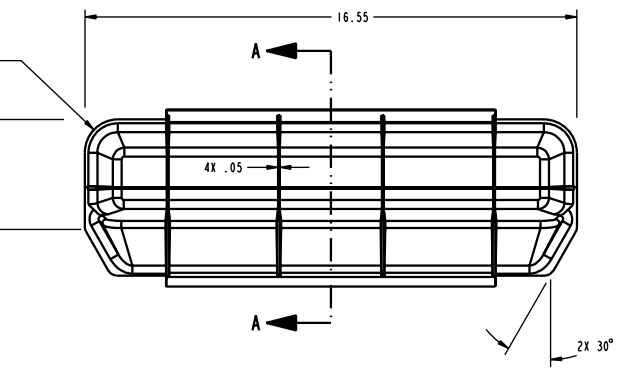
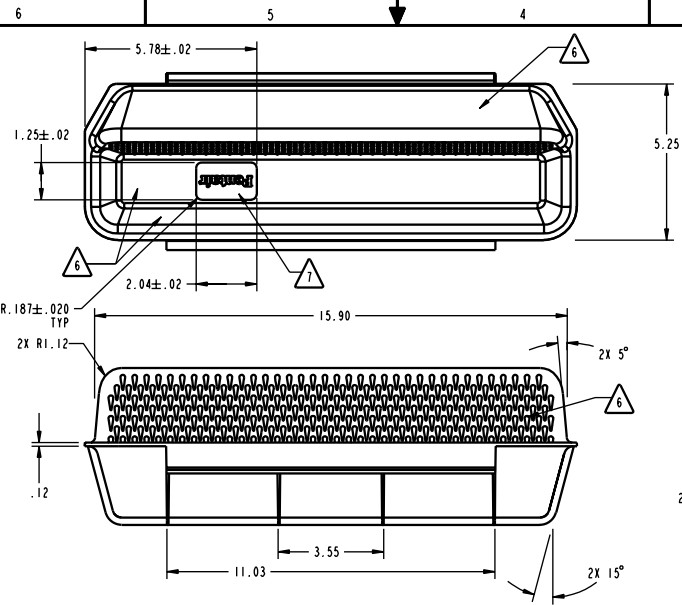
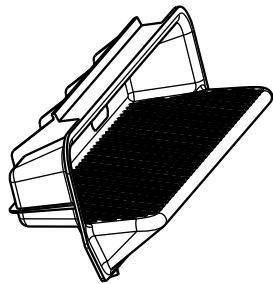


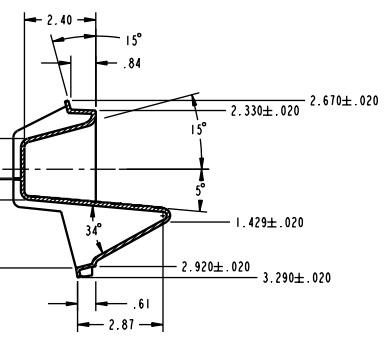
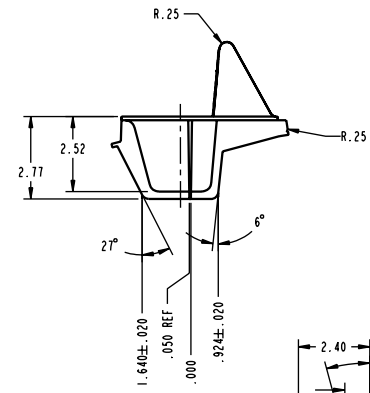
THE INFORMATION CONTAINED HEREON IS THE PROPERTY OF PENTAIR POOL PRODUCTS. NO PORTION OF THIS DATA SHALL BE RELEASED, REPRODUCED, COPIED, OR DISSEMINATED IN ANY MANNER WITHOUT THE WRITTEN PERMISSION OF PENTAIR POOL PRODUCTS.

COMPUTER GENERATED DOCUMENT  
MANUAL CHANGES NOT ALLOWED.

| TABULATION |       |  |
|------------|-------|--|
| PART NO.   | COLOR | MATERIAL DESCRIPTION   |
| 82401200   | BLUE  | ABS, WHITE WITH COLOR CONC.<br>TEKNOR #40062WCABS, P/N 40600145, 1X BY WT. |
| 82401300   | WHITE | ABS, WHITE   |
| 82401400   | GREY  | ABS, DARK GREY   |



| REVISIONS |     |   |         |    |     |      |
|-----------|-----|---|---------|----|-----|------|
| PCO       | REV | DESCRIPTION   | DATE    | DR | CHK | APPR |
| 001641    | A   | CADKEY FILE; INCREASE CONCENTRATE I FROM .036 TO .080 | 6/3/91  | RG |     |      |
| 10490     | B   | ADD REF. 130048                                       | 10/2/03 | KP |     |      |
| 11410     | C   | REDRAW IN PRO/E & ADD TABULATION & NOTE #6            | 8/9/04  | KP |     |      |
| 13363     | D   | CHG LOGO TO PENTAIR AND ADD DG P/N                    | 8/11/05 | RG |     |      |



- 1 LOGO AREA TO BE RECESSED .015 FROM PARENT SURFACE.
  - \* 6 ALL EXTERIOR SURFACES EXPOSED TO BATHERS SHALL BE FREE OF SHARP EDGES, FLASH OR GATE REMNANTS.
  - 5 THE SOLID GEOMETRIC MODEL ASSOCIATED WITH THE DRAWING MUST BE CONSIDERED A PART OF THE SPEC FOR THE PART AND MUST BE REFERRED TO FOR FEATURES THAT CANNOT BE DETERMINED BY DIMENSIONS ON THE DRAWING. THIS DRAWING IS TO CONFORM TO PRO/ENGINEER GEOMETRY 82401200.PRT
  - 4 DIAMOND SYMBOL ♦ DENOTES LAST CHANGE
  - 3 STAR SYMBOL ★ DENOTES CRITICAL DIMENSION
  - 2 INTERPRET DIMENSIONS AND TOLERANCING IN ACCORDANCE WITH ASME Y14.5-1999
  - 1 MATL: REF. DWG. 130048 FOR APPROVED GENERAL PURPOSE GRADES FOR GENERAL APPLICATIONS. NO REGRIND.
- NOTES: UNLESS OTHERWISE SPECIFIED.

|  |  |                      |           |
|--|--|----------------------|-----------|
| UNLESS OTHERWISE SPECIFIED:<br>DIMENSIONS ARE IN INCHES<br>TOLERANCES:<br>XX ± .01<br>XX ± .005<br>XX ± .004<br>ANGULAR 1° |  | DO NOT SCALE DRAWING |           |
| REQUIRE ALL BURS & SHARP EDGES .005 TO .010 DIAMETERS TO BE CONCENTRIC WITHIN .005 TYP                                     |  | SIGNATURES           | DATE      |
| THIRD ANGLE PROJECTION   |  | DRAWN K. PHO         | 8/9/04    |
| NEXT ASSY USED ON  |  | CHK                  |           |
| APPLICATIONS   |  | TOOL                 |           |
|  |  | ENGR                 |           |
|  |  | DEPT                 |           |
|  |  | DATE                 |           |
|  |  | SCALE 1/2            | ALSO DATE |
|  |  | SHEET 1 of 1         |           |

**Pentair** Pool Products  
19951 W. Van Ness Ave.  
Westport, Calif. 93091

**POOL STEP**

SIZE PART NO. DWG NO. 82401200TAB REV. D  
D SEE TAB