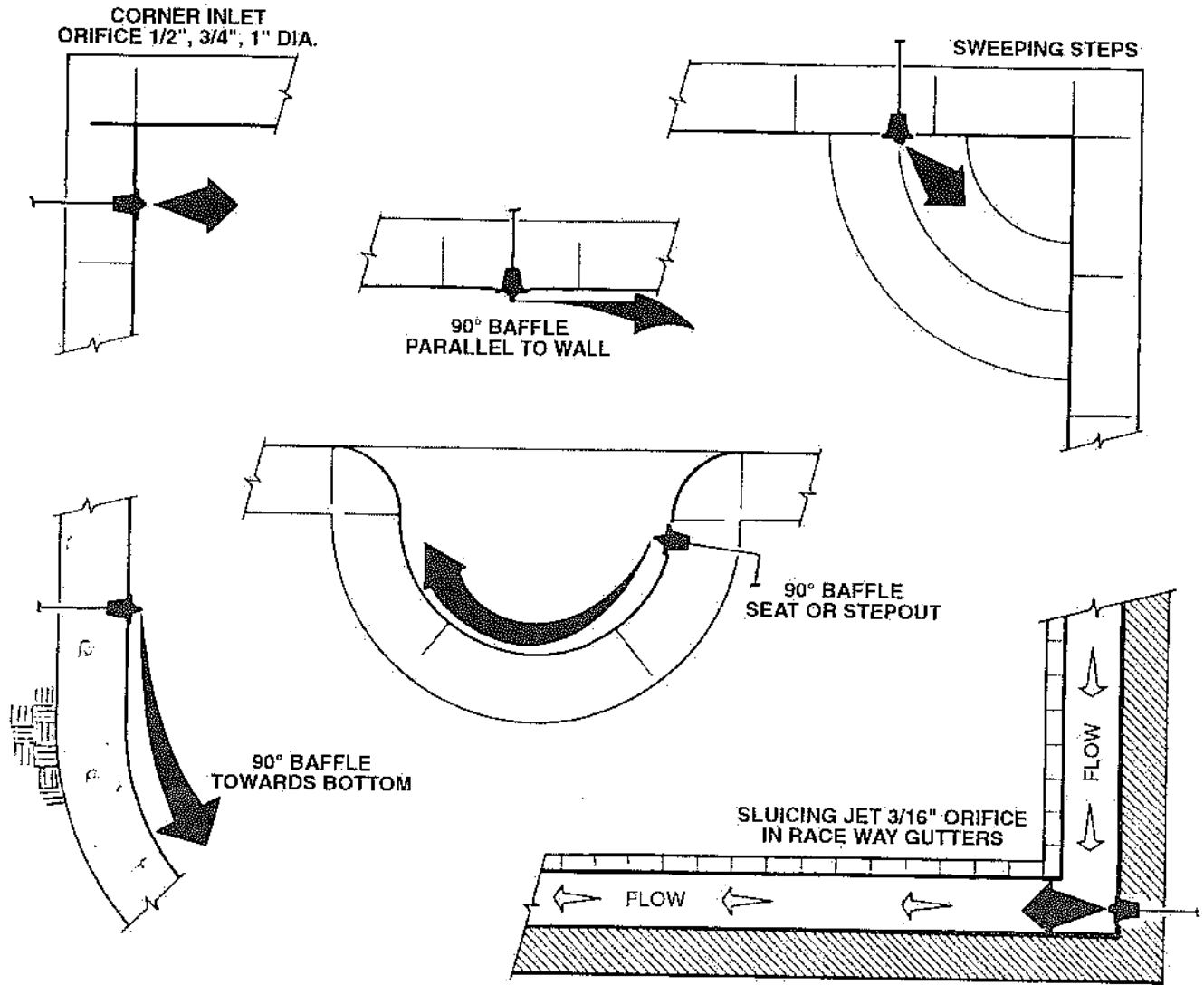
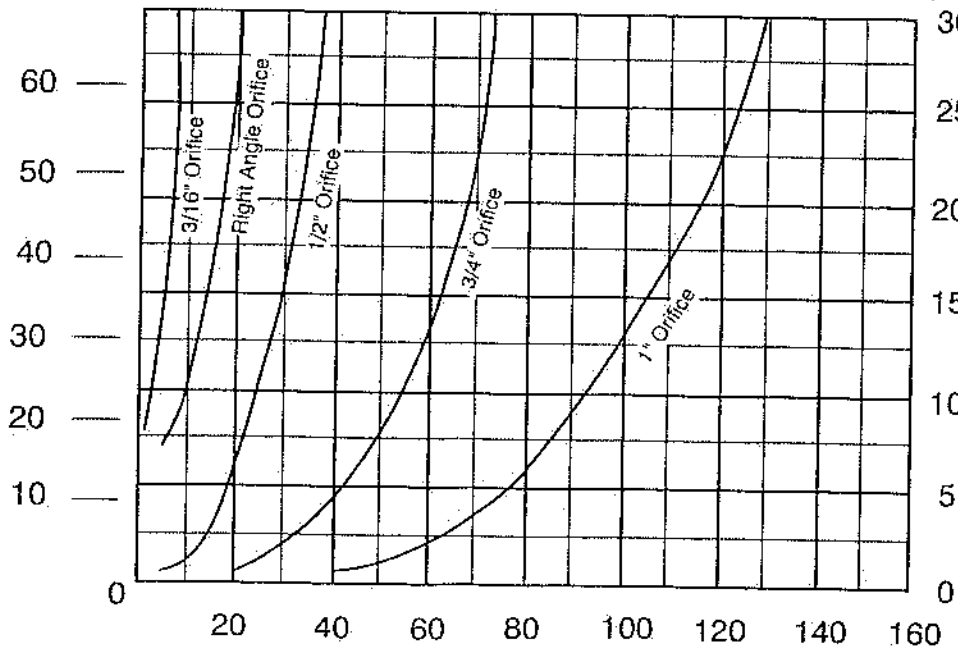


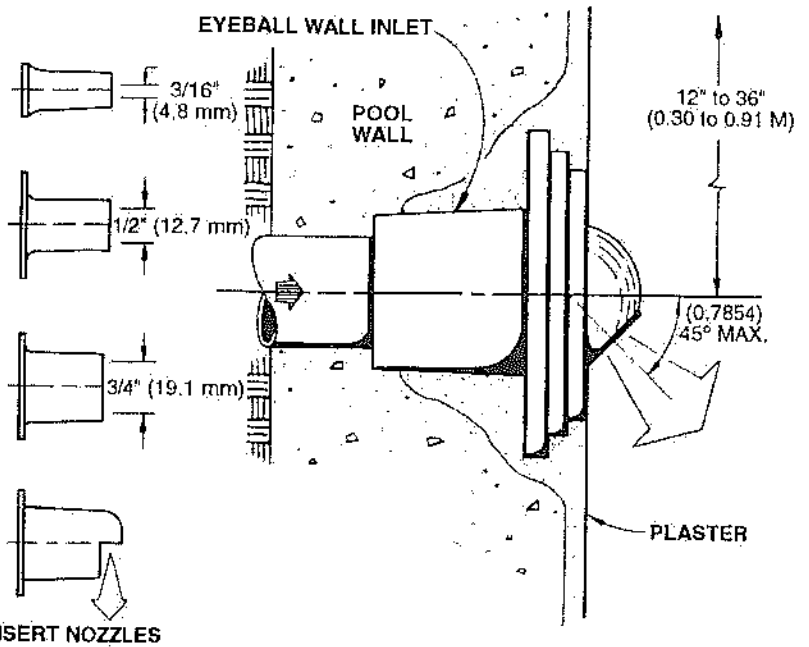
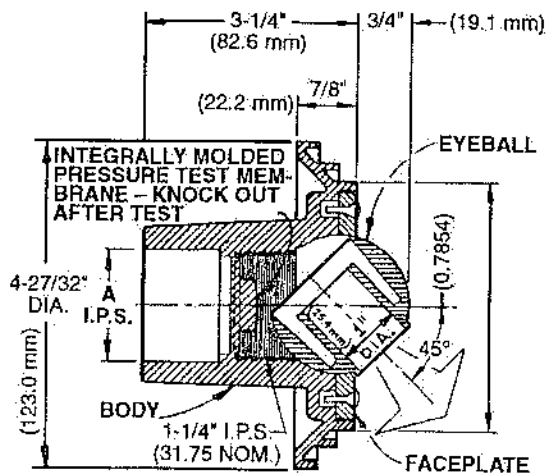
TYPICAL INLET LOCATIONS



Total Design Head (in Feet)

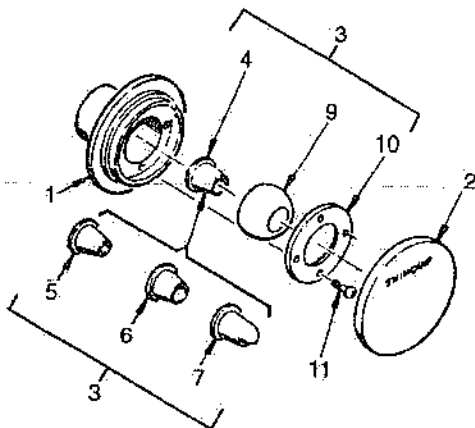
Pressure (PSI)





CAT. NO.	A*	COLOR
08428-0000	1-1/4" I.P.S.	White
08429-0000	1-1/2" I.P.S.	White
08428-0100	1-1/4" I.P.S.	Gray
08429-0100	1-1/2" I.P.S.	Gray

EYEBALL WALL INLETS 8428, 8429



	<p>WARNING</p> <p>Use of this fitting as a suction outlet is hazardous. Risk of hair or body entrapment, drowning or disembowelment.</p> <p>Do not use fitting on any suction or outlet fitting. Use only as an eyeball inlet fitting.</p>
--	---

Key No.	Description	Qty.	White		Gray	
			Model 08428-0000 1 1/4" Inlet	Model 08429-0000 1 1/2" Inlet	Model 08428-0100 1 1/4" Inlet	Model 08429-0100 1 1/2" Inlet
1	Body	1	08428-0014	08429-0014	08428-0014B	08429-0014B
2	Shield	1	08428-0005	08428-0005	08428-0005B	08428-0005B
3	Ball/Face-Plate Kit Includes Nos. 4, 5, 6, 7, 9, 10, 11	1	08428-0001	08428-0001	08428-0001B	08428-0001B
4	Nozzle - 3/8"	1				
5	Nozzle - 1/2"	1				
6	Nozzle - 3/4"	1				
7	Right Angle Nozzle	1				
9	Ball	1				
10	Face Plate	1				
11	Screw - #8-32x1/2"	4	37077-0582	37077-0582	37077-0582	37077-0582

Sta-Rite Pool/Spa Group

600 South Jefferson St. • Waterford, WI 53185
 North America: 800-752-0183 • FAX: 800-582-2217
 International: 414-728-5551 • FAX: 414-728-4461 •
 TELEX: ITT 4970245

Oxnard, CA • Orlando, FL • Union City, TN • Delavan, WI • Waterford, WI

Variable Orifice "Eyeball" Wall Inlet Fittings

Commercial Pool Catalog

Date
April 1996

39501-6363
(Rev. 4/19/96)