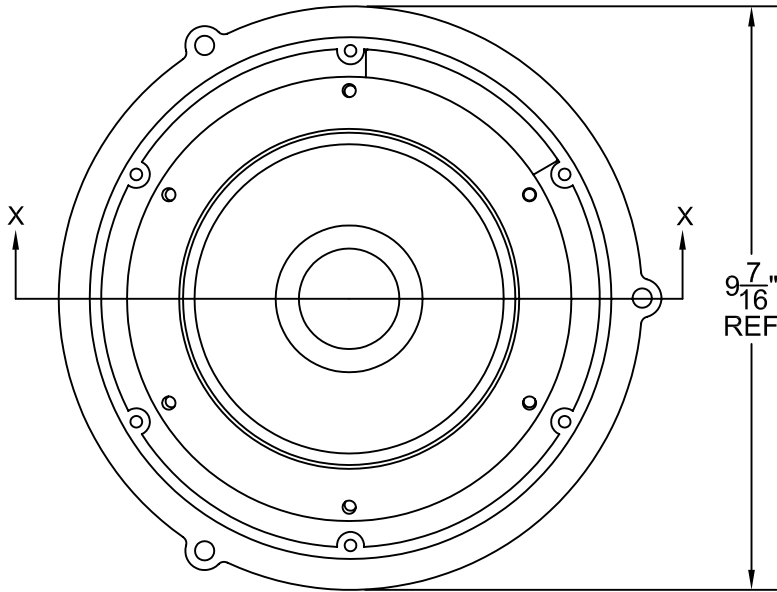
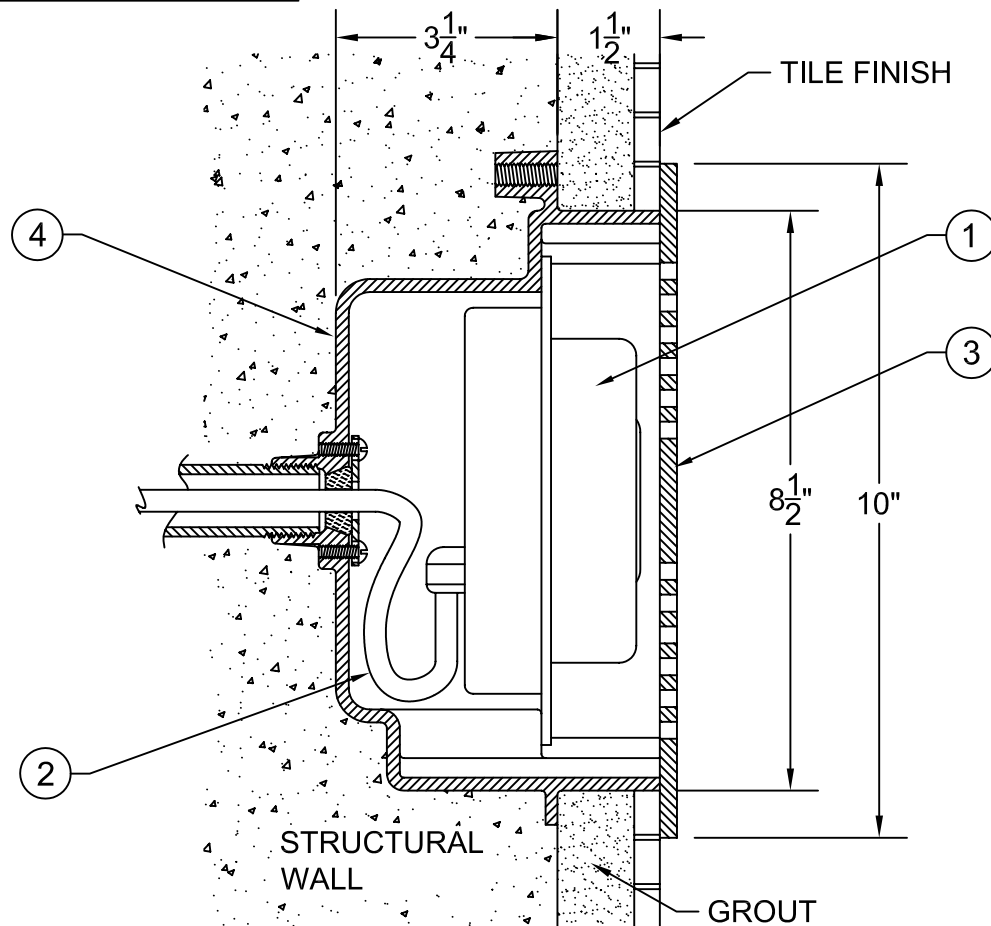
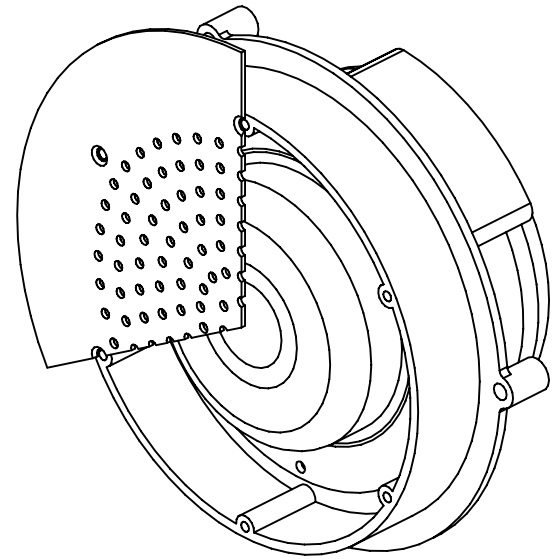


Underwater Loudspeaker UW30



FRONT VIEW
(grill not shown for clarity)



SECTION VIEW X-X

The data represents the latest knowledge available to us at time of presentation. However, Paragon Aquatics and others involved in gathering and presenting this drawing assume no liability for its use.



PARAGON AQUATICS

Pentair Water
Commercial Pool & Aquatics

1351 Route 55
LaGrangeville, New York
12540
Phone: 845-463-7200
Fax: 845-463-7291
www.paragonaquatics.com

Drawn by: RV Date: 6/27/08

Approved by: JMM Date: 6/27/08

Sheet Title: Underwater Speaker UW30

Drawing Number: SS-US20.30

Revision Letter: A

Sheet: 1 of 2

Underwater Loudspeaker UW30

Part Number: **68101-1**



Specifications

- ① The loudspeaker case shall be composed of impregnated, shatterproof ABS plastic. Frequency response shall be 100 - 10,000Hz, and the impedance shall be at 8 ohms. Power-handling capacity shall be 30 watts continuous pink noise and dispersion shall be omnidirectional underwater.
- ② The loudspeaker shall be equipped with a 50 foot, 3 conductor waterproof cable terminated within the internal encapsulation material.
- ③ The grill (Paragon Part #68103SS - not included) shall be made of Stainless Steel polished to a 320 grit finish.
- ④ The loudspeaker shall be mounted in a wet-niche (Paragon Part #68102 - not included). The niche shall be of heavy-duty, cast bronze construction with 3/4" threaded connection. Mounting hardware is included with niche.

General

Operating depth shall be not more than 10 feet below the surface of the water. Recommended operating depth for optimum efficiency shall be not more than 1.2m (4.0 ft). One loudspeaker is recommended for each 900 sq.ft. of pool surface area in deep water (1200 sq.ft. in shallow water). Please check with national and local codes for specific requirements.

Accessories

| ID Number | Description |
|-----------|--------------------------------------|
| 68102 | Wet-Niche for Underwater Loudspeaker |
| 68103SS | Stainless Steel Grill |

The data represents the latest knowledge available to us at time of presentation. However, Paragon Aquatics and others involved in gathering and presenting this drawing assume no liability for its use.

© 2008 Paragon Aquatics



**PARAGON
AQUATICS**

Pentair Water
Commercial Pool & Aquatics

1351 Route 55
LaGrangeville, New York
12540
Phone: 845-463-7200
Fax: 845-463-7291
www.paragonaquatics.com

| | | | |
|----------------------------|-------------------------|------------------|---------------|
| Drawn by: RV | Date: 6/27/08 | Approved by: JMM | Date: 6/27/08 |
| Sheet Title: | Underwater Speaker UW30 | | |
| Drawing Number: SS-US20.30 | Revision Letter: A | Sheet: 2 of 2 | |