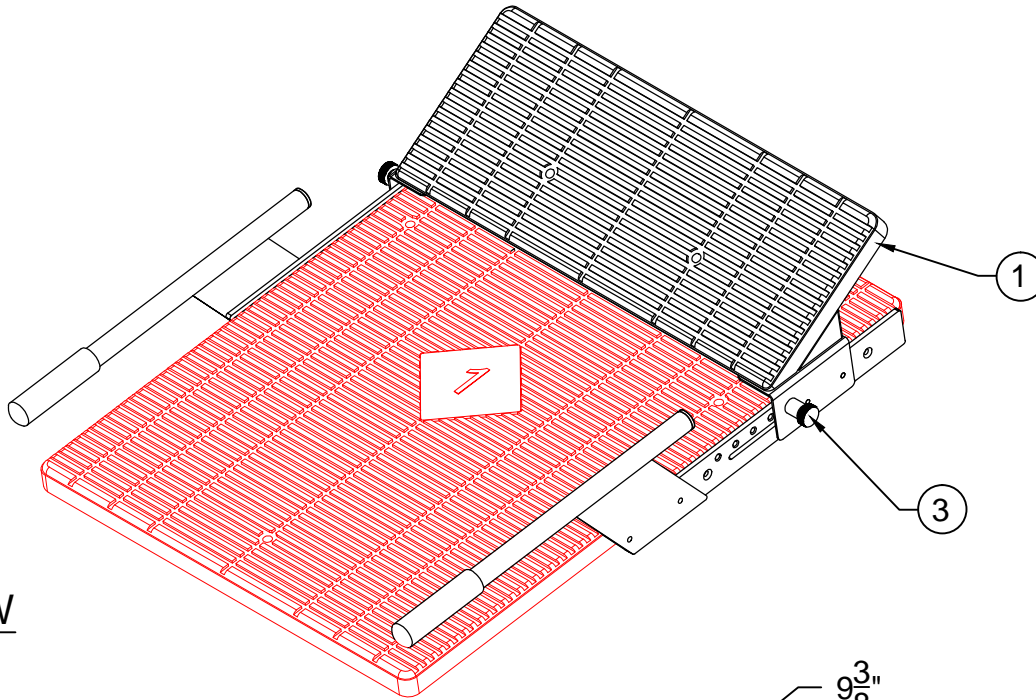
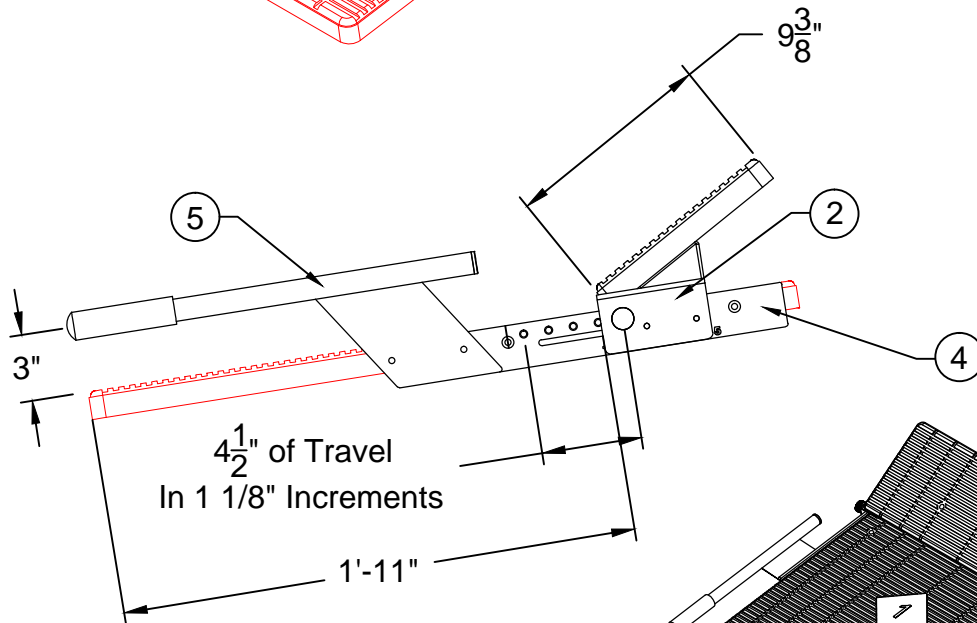


Track Start PLUS+™

Adjustable Backplate and Optional Side Grip Kit

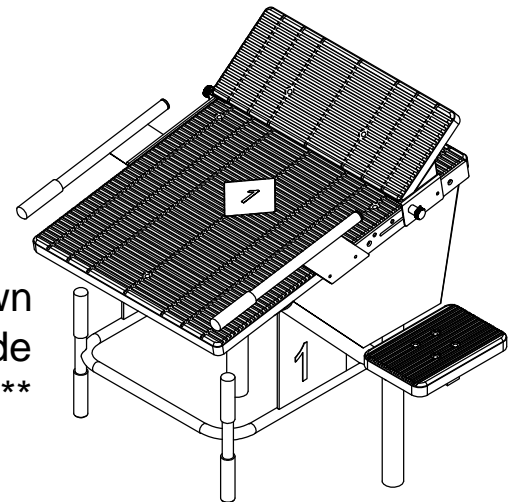


ISO VIEW



SIDE VIEW

**** Track Start PLUS+ Kit Shown
Installed on a Track Start Side
Step Competitor Platform****



The data represents the latest knowledge available to us at time of presentation. However, Pentair and others involved in gathering and presenting this drawing assume no liability for its use.



1351 Route 55
LaGrangeville, NY 12540
Phone: 845-463-7200
Fax: 845-463-7291
www.paragonaquatics.com

Drawn by: JMM Date: 12/19/15 Approved by: JMM Date: 12/19/14

Sheet Title: Adjustable Backplate and Opt. Side Grips

Drawing Number: SS-SP10.80 Revision Letter: B Sheet: 1 of 2

Track Start PLUS+™

Adjustable Backplate and Optional Side Grip Kit

Part Number 27500 - Adjustable Backplate
27501 - Optional Side Grip Kit

NOTE: The Adjustable Backplate can only be used on platforms utilizing the Track Start style (24"x 32") polypropylene tops.

Specifications

- ① The Adjustable Backplate (24" wide x 9 3/8" deep) shall be constructed of UV inhibited high density polypropylene. The backplate shall have a dual non-skid, cross-grooved, white sand textured finish surface. Custom sand finish colors are available upon request. The Adjustable Backplate can be used with or without a Relay Judges Platform (RJP).
- ② The adjustable backplate mounting assembly shall be constructed from T304 stainless steel. The mounting assembly shall be powdercoated with a gloss black finish. Custom colors available upon request.
- ③ The mounting assembly shall use spring loaded pins which allow the backplate to be adjusted to (5) different positions in 1 1/8" increments. The spring loaded pins will allow the removal of the backplate if needed during competition or for storage. When set to the furthest forward position the Adjustable Backplate allows for the FINA required minimum of 0.5meter x 0.5meter (19 5/8" x 19 5/8") of starting platform top area.
- ④ The slide plates shall be constructed of 1/4" thick, T304 stainless steel polished to a 320 grit finish. The slide plates shall be held to the starting platform top using (3) self tapping 1/4"-20 x 1" flathead screws (provided) on each side. The slide plates can be installed in the field as a retro-fit or factory installed at the time of starting platform order. **NOTE: The Adjustable Backplate can only be used on platforms utilizing the Track Start style (24"x 32") polypropylene tops.**
- ⑤ The optional Side Grip Kit shall include a pair of stainless steel frames with rubber hand grips. The frames shall be constructed of T304 stainless steel and powdercoated with a gloss black finish. The frames shall attach to the starting platform top using (2) self tapping 1/4"-20 x 1 1/2" screws (provided) per side. Upon request, the side frames can be powdercoated as an option. The Side Grip Kit can be installed in the field or at the factory at the time of the starting platform order. The Side Grip Kit shall work with and without the use of the Adjustable Backplate.

General

The stainless steel frame shall be electro-chemically passivated on all worked areas for maximum corrosion resistance. All hardware shall be 18-8 stainless steel.

Options 23994C - Color Upgrade for Adjustable Backplate sand finish
23995 - Powdercoat Color Upgrade for Optional Side Grip Kit



WARNING : Starting platforms are to be used only by trained competitive swimmers. Only shallow racing dives should be executed. Impact with the pool bottom can cause serious injury. Please refer to applicable codes and regulations for your specific installation.

The data represents the latest knowledge available to us at time of presentation. However, Pentair and others involved in gathering and presenting this drawing assume no liability for its use.



1351 Route 55
 LaGrangeville, NY 12540
 Phone: 845-463-7200
 Fax: 845-463-7291
www.paragonaquatics.com

Drawn by: JMM	Date: 12/19/14	Approved by: JMM	Date: 12/19/14
Sheet Title: Adjustable Back Plate and Opt. Side Grips			
Drawing Number: SS-SP10.80	Revision Letter: B	Sheet: 2 of 2	