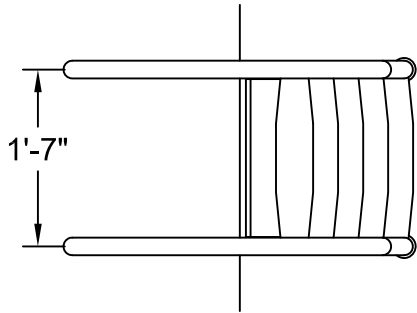
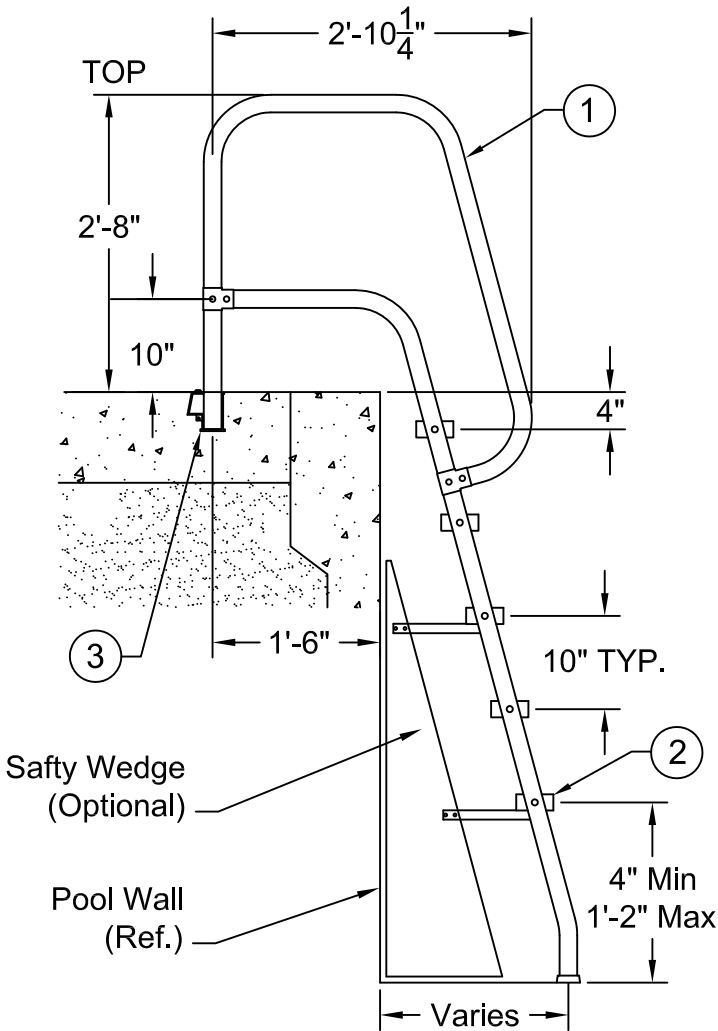
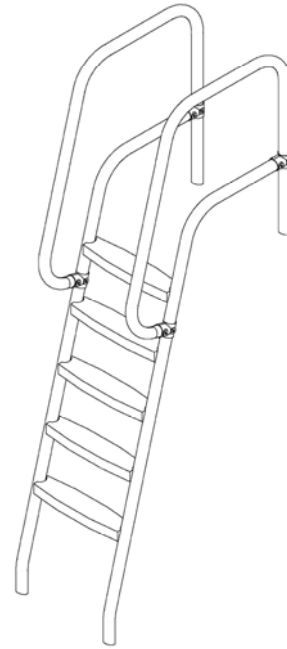


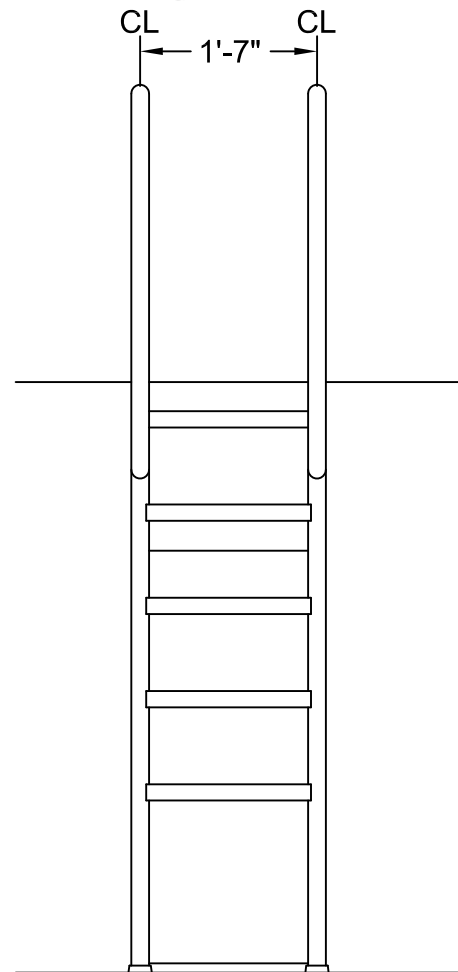
Therapeutic Ladder



PLAN VIEW



SIDE VIEW



FRONT VIEW

The data represents the latest knowledge available to us at time of presentation. However, Paragon Aquatics and others involved in gathering and presenting this drawing assume no liability for its use.

© 2008 Paragon Aquatics



**PARAGON
AQUATICS**

Pental Water
Commercial Pool & Aquatics

1351 Route 55
LaGrangeville, New York
12540
Phone: 845-463-7200
Fax: 845-463-7291
www.paragonaquatics.com

Drawn by: SF Date: 6/27/08 Approved by: RV Date: 6/27/08

Sheet Title: Therapeutic Ladder

Drawing Number: SS-TA30.21

Revision Letter: C

Sheet: 1 of 2

Therapeutic Ladder

Specifications

- ① The ladder frames shall be fabricated from ASTM A-554 certified 1.90" OD x _____" wall thickness Type 304 stainless steel polished to a 320 grit finish. All bends shall be smooth and free of wrinkles.
- ② The ladder steps shall be made of injected molded, UV inhibited ABS material (white). The step shall be 19" long x 4" wide with an integral non-skid surface.
- ③ The ladder posts shall be anchored in 4" deep bronze wedge anchor sockets (not included), which shall be fully imbeded in a concrete deck.

General

The stainless steel frame shall be electro-chemically passivated on all worked areas for maximum corrosion resistance. All hardware shall be 18-8 stainless steel. Custom designs and modifications are available upon request.

Selector Chart

		ID Number	
1.90 x .145 (T304 s/s)	2 Step	42701	
	3 Step	42702	
	4 Step	42703	
	5 Step	42704	

		ID Number	
1.90 x .109 (T304 s/s)	2 Step	42705	
	3 Step	42706	
	4 Step	42707	
	5 Step	42708	

		ID Number	
1.90 x .065 (T304 s/s)	2 Step	42709	
	3 Step	42710	
	4 Step	42711	
	5 Step	42712	

Accessories

ID Number	Description
44104	19" Sloping ABS Ladder steps w/ hardware
44201	Rubber bumper (white)
28102	Bronze wedge anchor socket for 1.90" OD.
28301	Deluxe chrome plated bronze escutcheon cover.

The data represents the latest knowledge available to us at time of presentation. However, Paragon Aquatics and others involved in gathering and presenting this drawing assume no liability for its use.

© 2008 Paragon Aquatics



**PARAGON
AQUATICS**

Pentalr Water
Commerical Pool & Aquatics

1351 Route 55
LaGrangeville, New York
12540
Phone: 845-463-7200
Fax: 845-463-7291
www.paragonaquatics.com

Drawn by: **SF** Date: **6/27/08** Approved by: **RV** Date: **6/27/08**

Sheet Title: **Therapeutic Ladder**

Drawing Number: **SS-TA30.21**

Revision Letter: **C**

Sheet: **2 of 2**