



**PARAGON
AQUATICS**

Pentair Water



**NEW SUN SHADE
FOR GRIFF'S GUARD
STATION® . . .
A GREAT PRODUCT
JUST GOT BETTER**

*A sun shade that's adjustable, versatile and
so easy to use . . . It's Revolutionary!*

The Griff's Guard Station®, evolved from Tom Griffiths' *Five Minute Scanning Strategy*®, was designed to enhance lifeguard effectiveness for increased water safety and enjoyment through accident prevention.

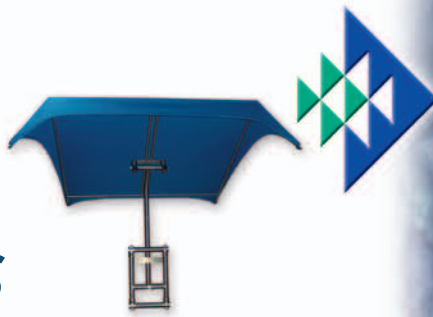
FEATURES:

- ▶ With a focus on safety Paragon Aquatics, together with Tom Griffiths, developed the *NEW* Griff's Guard Station® Sun Shade protecting lifeguards from harmful UV rays while increasing visual effectiveness.
- ▶ The Sun Shade offers a unique range of adjustability, tilting side-to-side, forward-to-back and up and down, providing increased visibility by shielding the lifeguard from the glare of the sun.
- ▶ A seamless upgrade to your existing Paragon Griff's Guard Station®, with no modifications necessary. Adapter kits are available for all 3 Griff's Guard Stations.
- ▶ Easy to install Adapter kit retrofits effortlessly in the field and requires no drilling. The Sun Shade canopy is designed for easy removal under high wind advisories.
- ▶ The Griff's Guard Station® Sun Shade canopy is available in a variety of colors to compliment your facility.
- ▶ The station seat is available in the standard turquoise, as well as, white.

Paragon Aquatics/Division of Pentair Water Pool & Spa, Inc.
1351 Route 55, LaGrangeville, NY 12540 USA
845.463.7200 • 888.KDI.SWIM • Fax: 845.463.7291
www.paragonaquatics.com

thinking toward the future . . . changing with the times

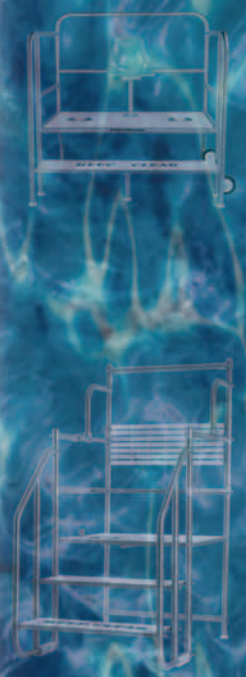
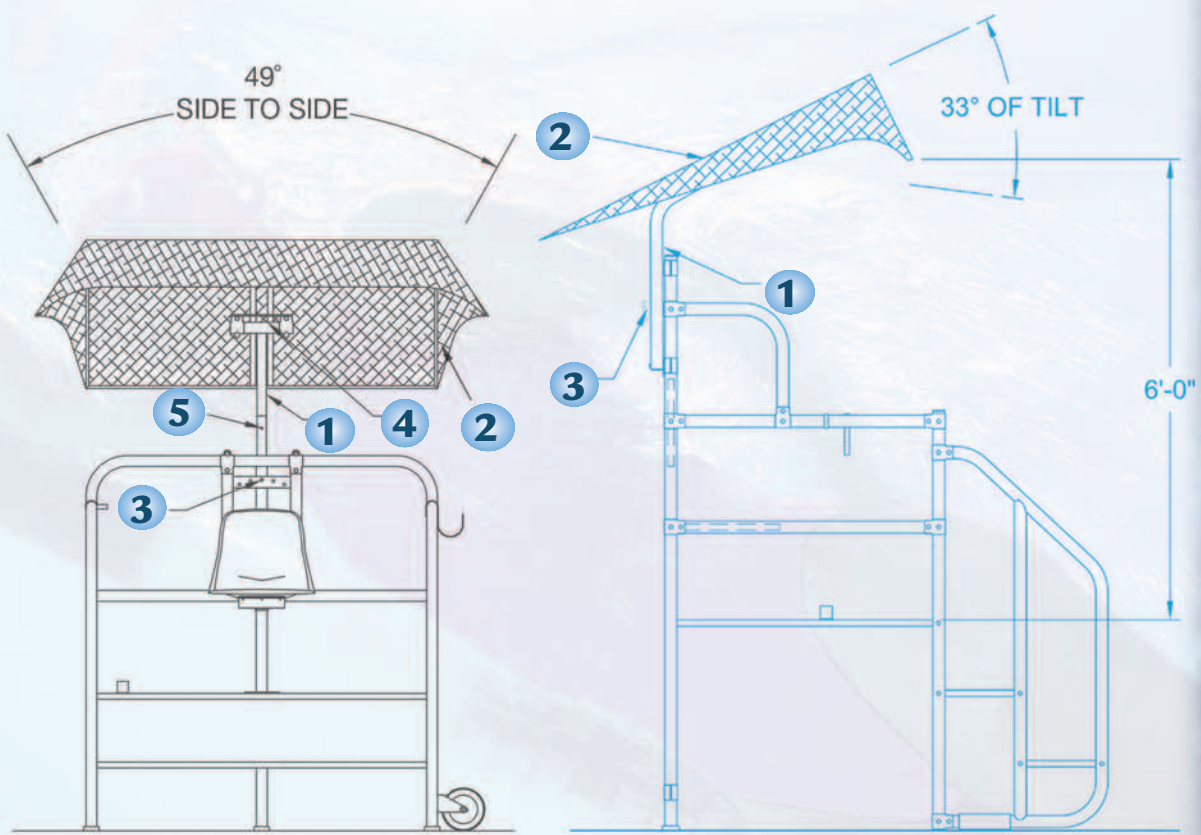
GRIFF'S GUARD STATION® SUN SHADE SPECIFICATIONS



**PARAGON
AQUATICS**
Pentair Water

- 1** The Griff's Guard Station Sun Shade canopy shall be mounted to a 1.00" O.D. x .065" wall thickness frame. The frame will be supported by a pivot arm made of 1.90" O.D. x .109" wall thickness. The pivot arm and frame shall attach to the guard station using stainless steel clamp tees (no drilling required). The frame and pivot points shall be T304 stainless steel polished to a 320 grit finish.
- 2** The Sun Shade canopy material shall be UV inhibited high density polyethylene and shall attach to its frame using three snap hooks and adjustable tensioning straps for easy installation and removal.
- 3** The Sun Shade shall have a pivot arm for side-to-side adjustment and a ball lock pin to positively secure the shade into one of the five set positions. The assembly shall also have stops to prevent the shade from moving past the extreme adjustment points.
- 4** The Sun Shade shall have a front-to-back tilt of up to 33° in an infinite number of positions via two hand-tightened polypropylene knobs.
- 5** Step and flat models shall have a 12" height adjustment. The height adjustment has four set positions in 3" increments. The full height model shall have a fixed height with no adjustment.

General: The stainless steel frame and pivot point shall be electro-chemically passivated on all worked areas for maximum corrosion resistance. All hardware shall be 18-8 stainless steel.



Thinking toward the future... changing with the times